



**MONTERINGSANVISNING · INSTALLATION INSTRUCTIONS
MONTAGEANLEITUNG · INSTRUCTIONS DE MONTAGE**

Saab 9-3 M03-

Brake pads, rear wheel

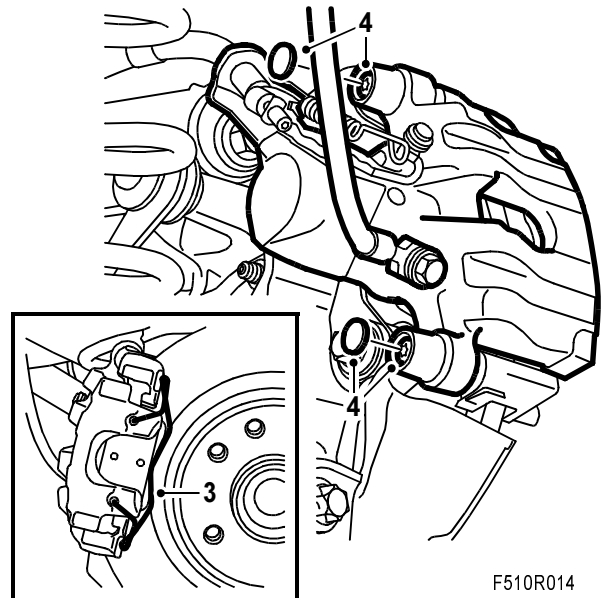
Accessories Part No.	Group	Date	Instruction Part No.	Replaces
12 799 240	5:17-04	Apr 03	12 799 242	12 799 242 Jun 02

Important

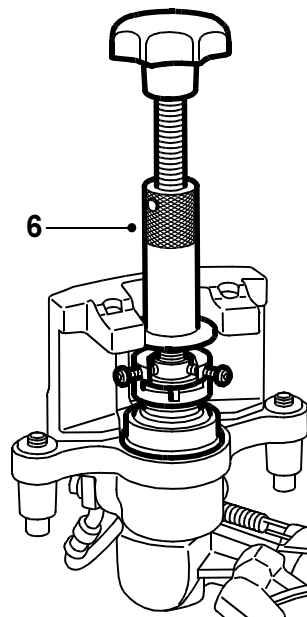
All rear brake pads must be replaced at the same time.

To remove

- 1 Raise the car.
- 2 Remove the wheel.
- 3 Remove the carrier from the brake caliper.
- 4 Remove the protective covers and slide pins.
Lift off the hydraulic body.
- 5 Remove the inner brake pad from the caliper and the outer brake pad from the bracket.
Clean the inside of the brake caliper and check the dust covers.

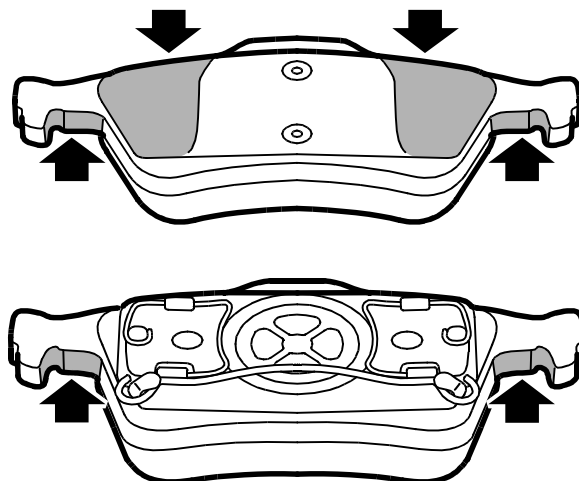


- 6 Screw in the brake piston with 89 96 969 Resetting tool and 89 96 977 Adapter.



To fit

- 1 Apply 89 96 993 Special grease paste to the sliding areas and the contact surfaces.

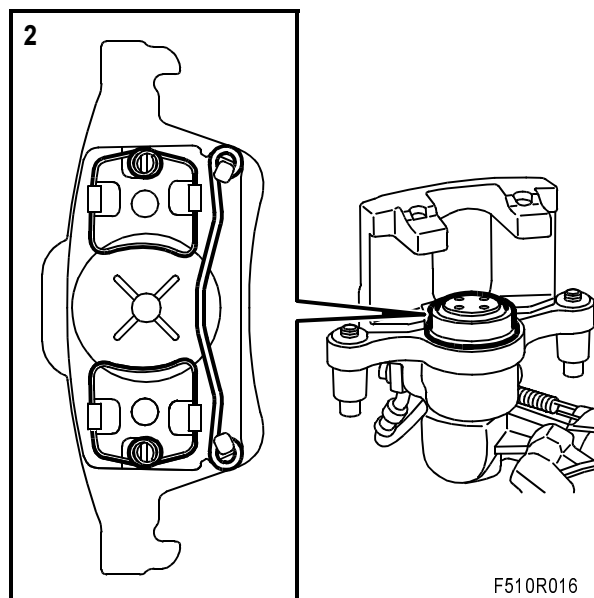


F510R056

- 2 Fit the brake pads.

Note

Make sure the springs on the inner pad enter the groove in the piston.



F510R016

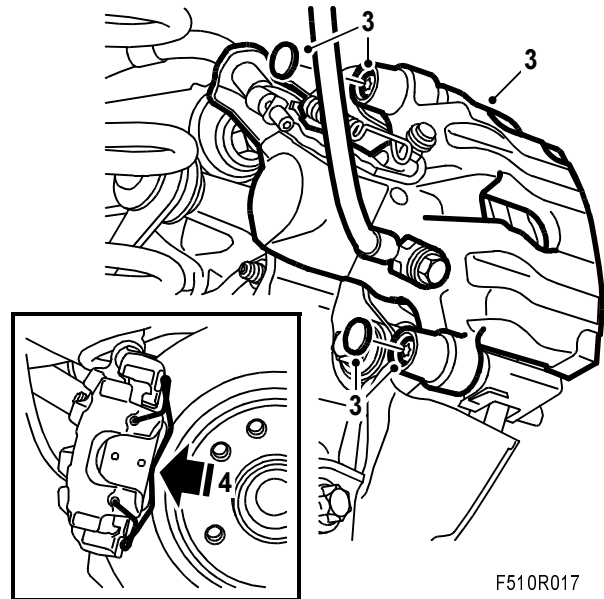
3 Fit the hydraulic body.

Tightening torque 28 Nm (21 lbf ft)

Fit the protective covers.

4 Fit the retaining spring to the brake caliper

5 Clean the contact surface between the rim and the brake disc from dirt and rust.

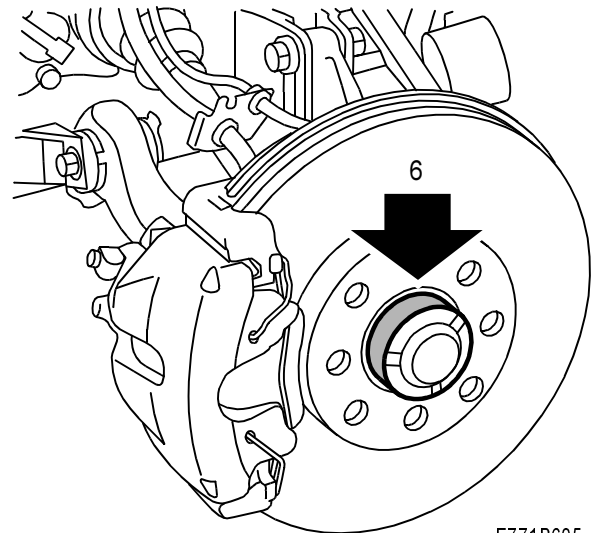


F510R017

6 Apply 30 06 442 White high-pressure grease paste to the hub.

Important

Make sure there is no grease on the contact surface between the rim and the brake disc.



E771B605

7 Put the wheel into position.

Fit the bolts and tighten them alternately by hand to centre the wheel.

8 Tighten the bolts twice alternately.

Important

The wheel must be suspended freely when tightening the wheel bolts.

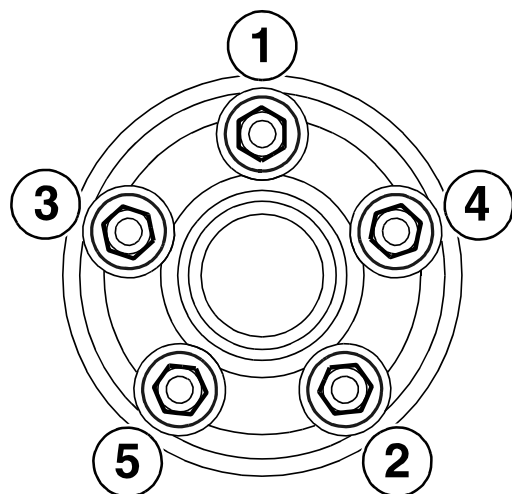
Tightening torque 110 Nm (81 lbf ft)

9 Lower the car.

10 Press the brake pedal a few times to press out the brake pistons and the handbrake adjustment.

11 Check the brake fluid level and top up as necessary.

12 Check the operation of the foot brake and handbrake.



E771R602