



**MONTERINGSANVISNING · INSTALLATION INSTRUCTIONS
MONTAGEANLEITUNG · INSTRUCTIONS DE MONTAGE**

Saab 9-3 -M02, Saab 9-5

Brake pads, front wheel

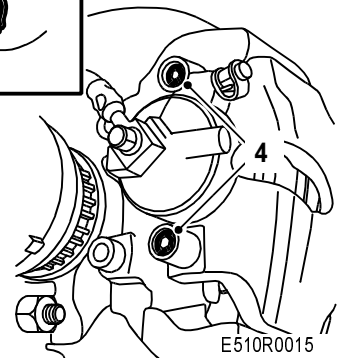
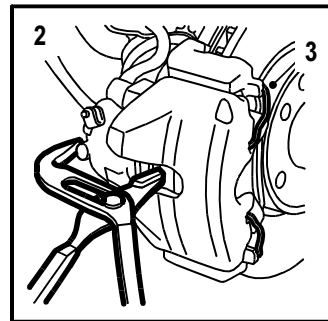
| Accessories Part No. | Group | Date | Instruction Part No. | Replaces |
|--|---------|--------|----------------------|------------------|
| 50 62 211 50 64 795 53 92 485 55 32 544 12 759 808 | 5:17-01 | Mar 05 | 55 30 753 | 55 30 753 Jan 03 |

Important

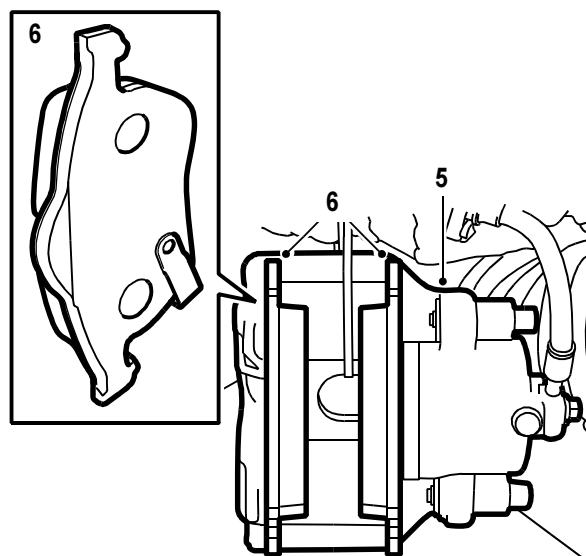
All front brake pads must be replaced at the same time.

To remove

- 1 Raise the car and remove the wheels.
- 2 Press back the piston with a pair of slip-joint pliers.
- 3 Remove the clip from the brake caliper.
- 4 Remove the dust caps from the guide pins and then remove the guide pins.



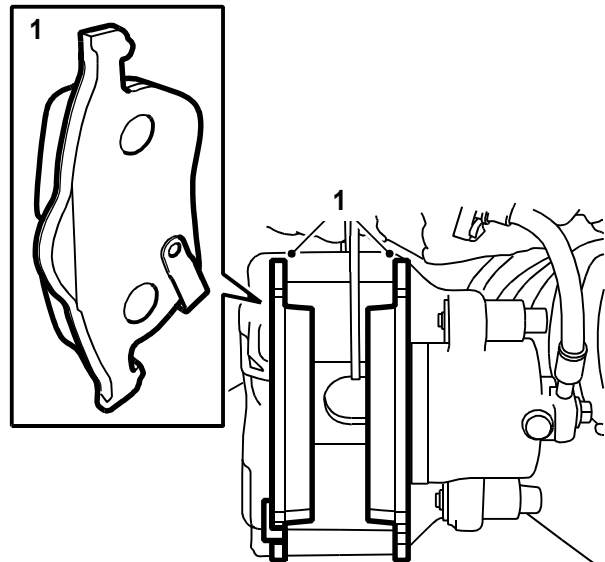
- 5 Lift the brake caliper off the brake disc and suspend it from the suspension strut.
- 6 Remove the brake pads.
Clean the inside of the brake caliper with a soft wire brush and inspect the dust caps.



E510R016

To fit

- 1 Fit the new brake pads in the brake caliper.
 - The outboard brake pads have acoustic wear indicators that must face downwards.
 - The inboard brake pads must be fitted with the arrows pointing in the direction of rotation of the brake disc when the car is driven in a forward direction.

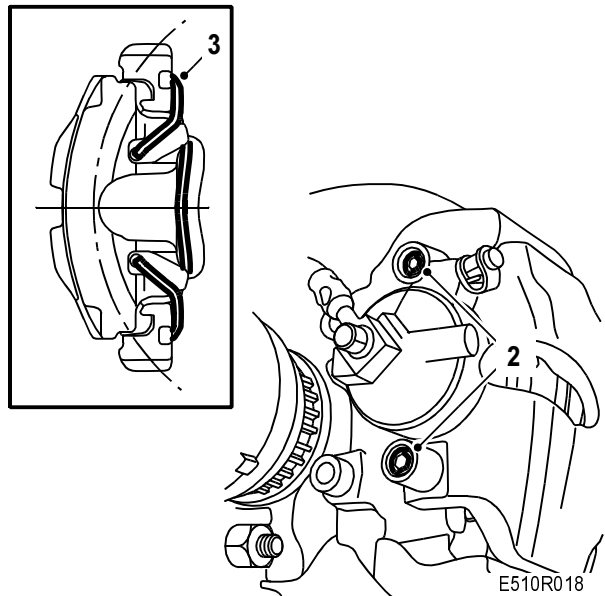


E510R017

- 2 Fit the brake caliper, clean the guide pins and tighten them using a torque wrench.

Tightening torque 28 Nm (20 lbf ft)

- 3 Fit the dust caps and clip, as shown.
- 4 Clean the contact surface between the rim and the brake disc from dirt and rust.



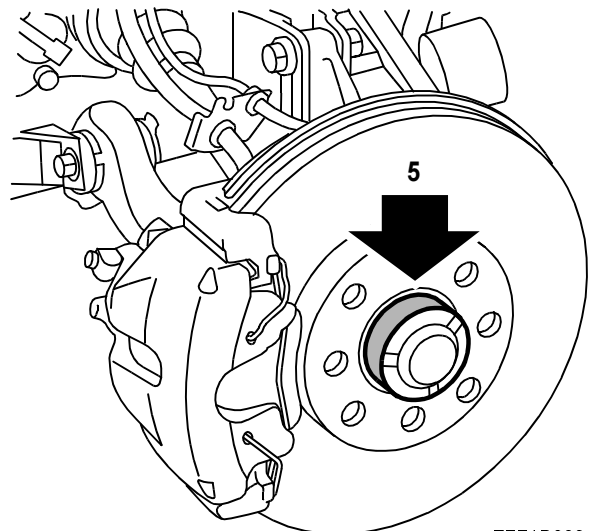
E510R018

- 5 Apply 30 06 442 White high-pressure grease paste to the hub.

Important

Make sure there is no grease on the contact surface between the rim and the brake disc.

- 6 **Alloy wheel rims:** Oil the threads and the taper on the bolt.



E771B603

7 Put the wheel into position.

Fit the bolts and tighten them alternately by hand to centre the wheel.

8 Tighten the bolts twice alternately.

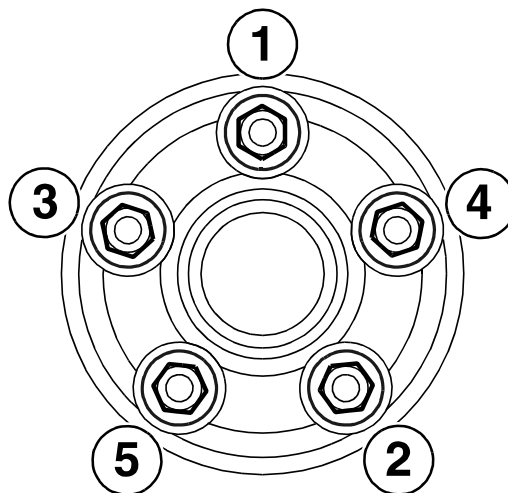
Important

The wheel must be suspended freely when tightening the wheel bolts.

Tightening torque 110 Nm (81 lbf ft)

9 Lower the car to the floor and depress the brake pedal to force out the brake pistons.

10 Check the level of the brake fluid.



E771R602