

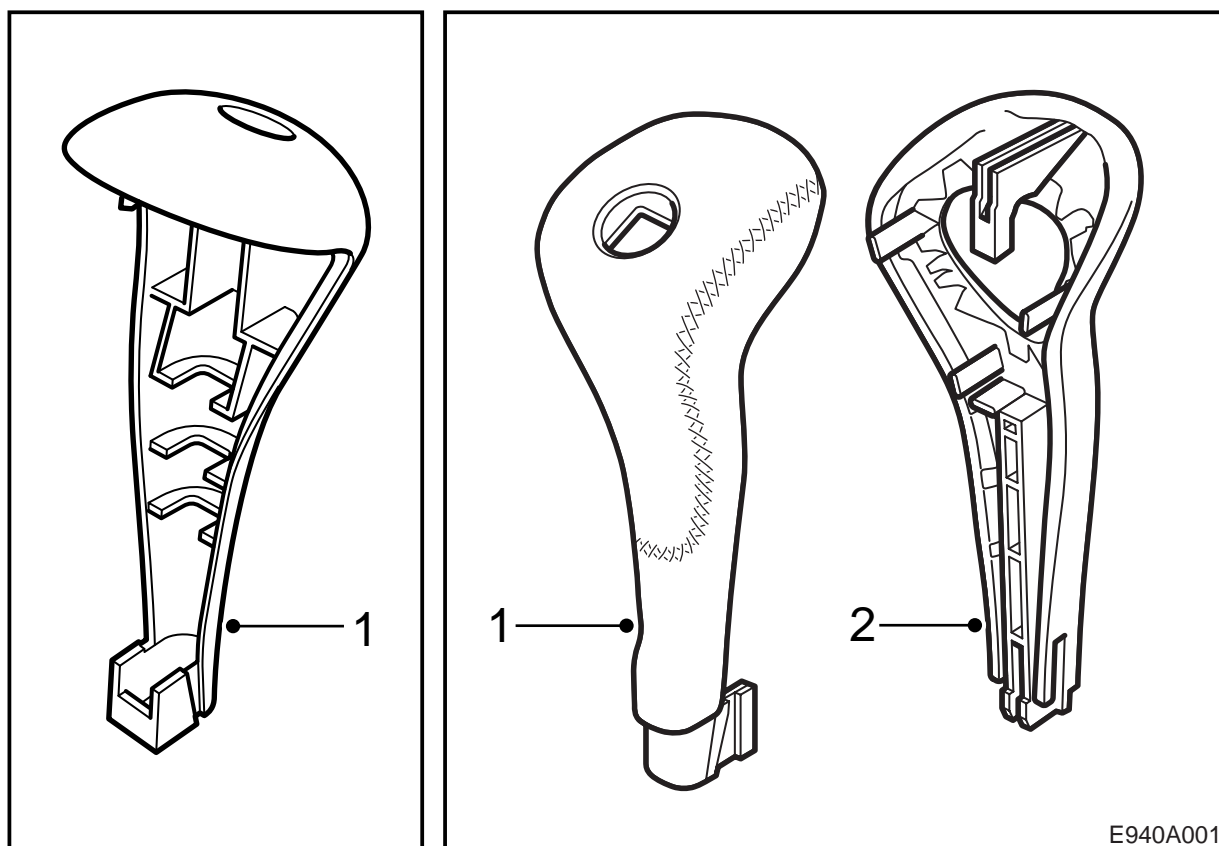


**MONTERINGSANVISNING · INSTALLATION INSTRUCTIONS
MONTAGEANLEITUNG · INSTRUCTIONS DE MONTAGE**

Saab 9-3, Saab 9-5

Gear selector in leather/wood/carbon-fibre

Accessories Part No.	Group	Date	Instruction Part No.	Replaces
400 107 090 400 107 116 400 112 587 400 131 132	9:43-2	May 01	47 77 017	47 77 017 Apr 01

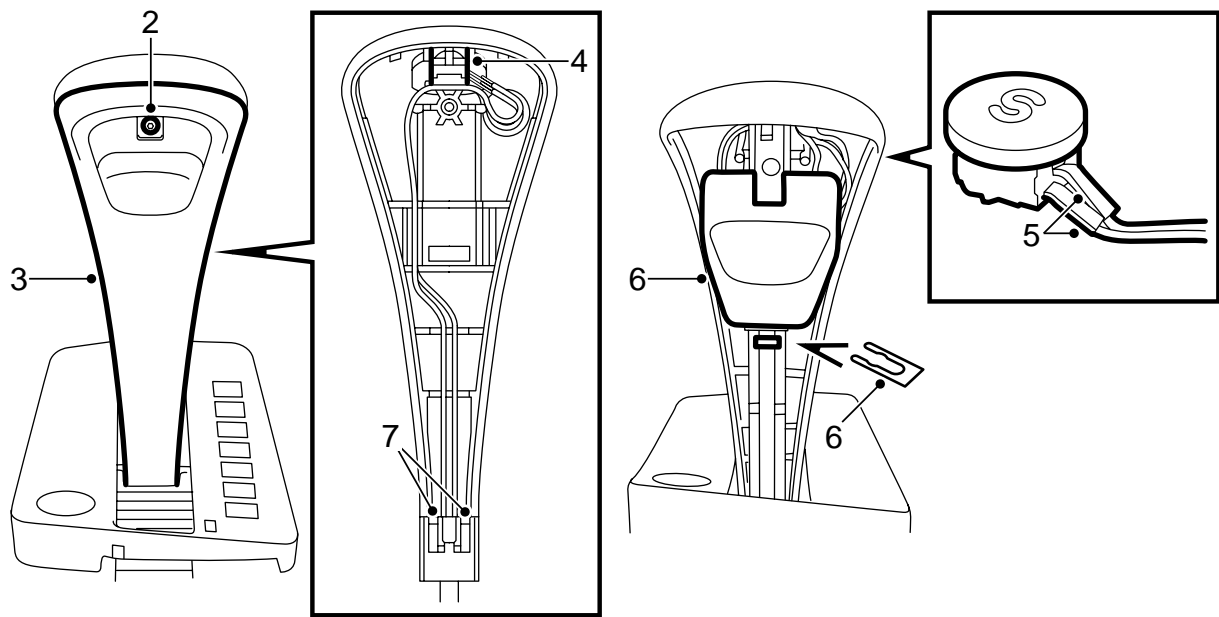


400 107 090

- 1 Gear selector
- 2 Front, gear selector

400 107 116/ 400 112 587/400 131 132

- 1 Gear selector



E440A002

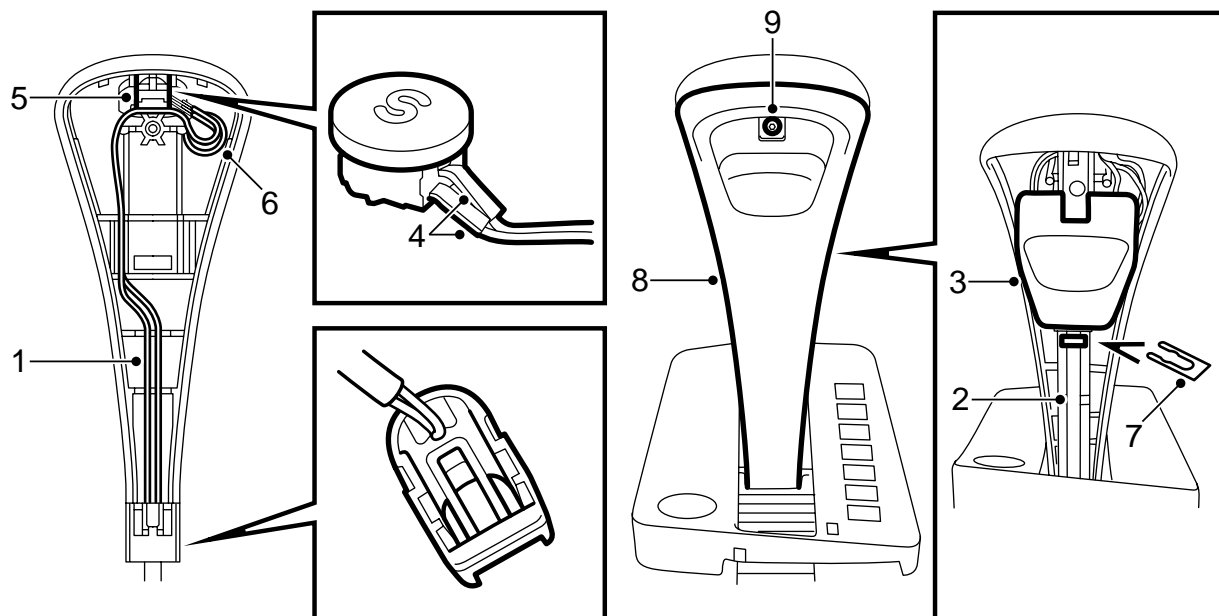
Removal

- 1 Put the gear selector into position D.
- 2 Remove the screw securing the front of the gear selector housing.
- 3 Remove the front.
- 4 Carefully lift up the rear housing and press up the SPORT button from underneath.
- 5 Cover the centre console to protect it from dropping solder. Unsolder the SPORT button.
- 6 Remove the clasp and pull up the release button together with the rear of the gear selector housing. The electric wiring remains in the lever housing.

Note

The lever housing may be difficult to lift. Mind the cables.

- 7 Retain the grease in the gear selector (the bottom of the gear selector and in the release button).



E440A003

Fitting

- 1 Place the electric wiring in the bottom of the lever housing and fit the lever housing to the lever.
- 2 Re-grease the contact surfaces between the U-section and the release button. Use the grease retained earlier or Gleitmo 585 K, alternatively Gleitmo 815 (part no. 302 53 68).
- 3 Fit the release button and press down the lever housing so that the screw hole faces the hole in the gear selector. Pull up the electrical wiring to the SPORT button at the same time.

Important

Make sure the electrical wiring is not pinched.

- 4 Cover the centre console to protect it. Extract the wiring from the hole and solder on the SPORT button.
- 5 Press in the SPORT button.
- 6 Loop the electric wiring so that it is not pinched.
- 7 Fit the clasp to the release button.
- 8 **Leather gear selector:** Fit the front of the gear selector housing included with the kit.
Wood/carbon-fibre gear selector: Refit the front of the gear selector.
- 9 Screw together the gear selector.