

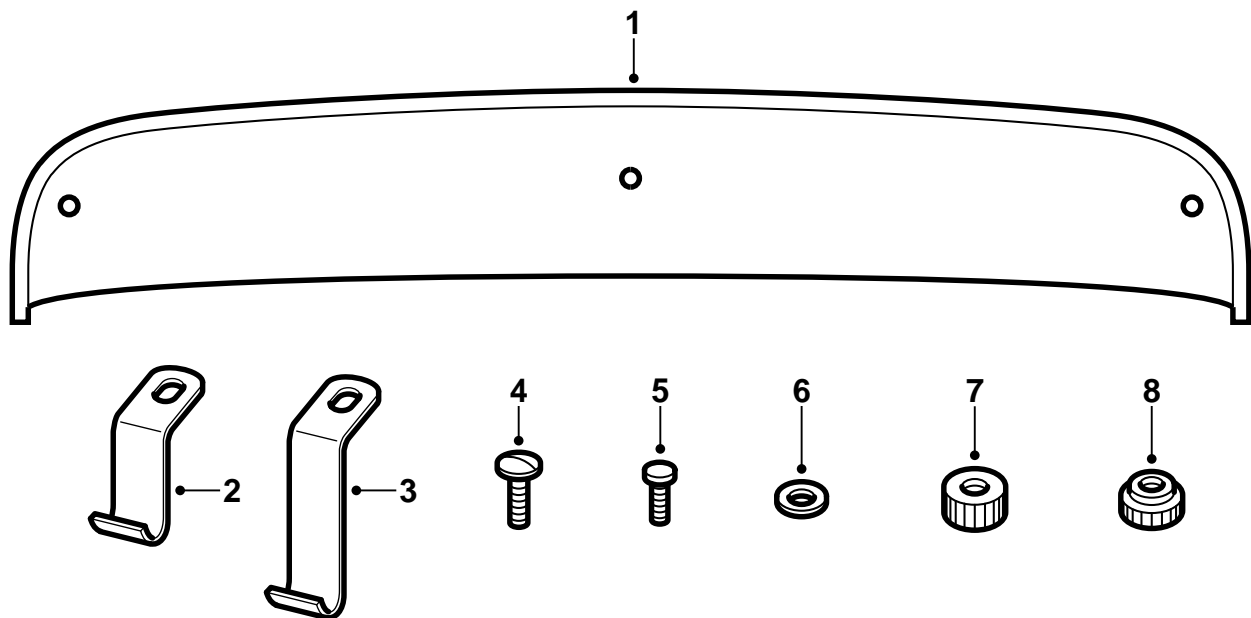


MONTERINGSANVISNING · INSTALLATION INSTRUCTIONS  
MONTAGEANLEITUNG · INSTRUCTIONS DE MONTAGE

## Saab 900 M94-, Saab 9-3

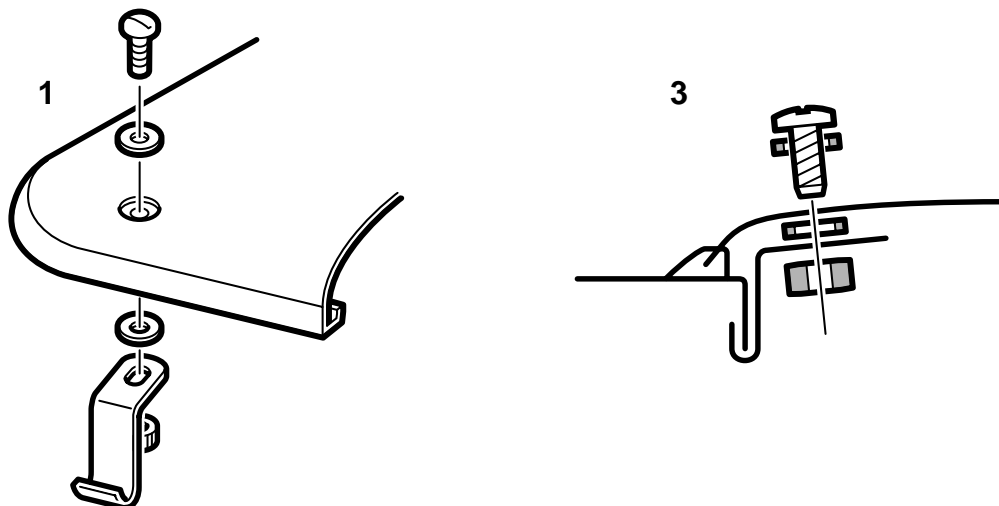
### Wind deflector

Accessories Part No.	Group	Date	Instruction Part No.	Replaces
400 104 154	8:45-10	Sep 01	86 85 422	86 85 422 Apr 99



D980A191

- 1 Wind deflector with rubber seal
- 2 Bracket, outer (2 pcs.)
- 3 Bracket, center
- 4 Bolt, outer (2 pcs.)
- 5 Bolt, center
- 6 Washer (5 pcs.)
- 7 Nut, outer (2 pcs.)
- 8 Nut, center



D980A192

- 1 Loosely attach the brackets to the wind deflector.  
On the middle bracket, a washer should only be placed between the wind deflector and the bracket.
- 2 Open the sunroof, position the wind deflector on the roof and align the brackets.
- 3 Press the wind deflector at the brackets and latch them under the roof plate.
- 4 Check that the rubber seal is tight against the roof.
- 5 Do up the nuts by hand.