

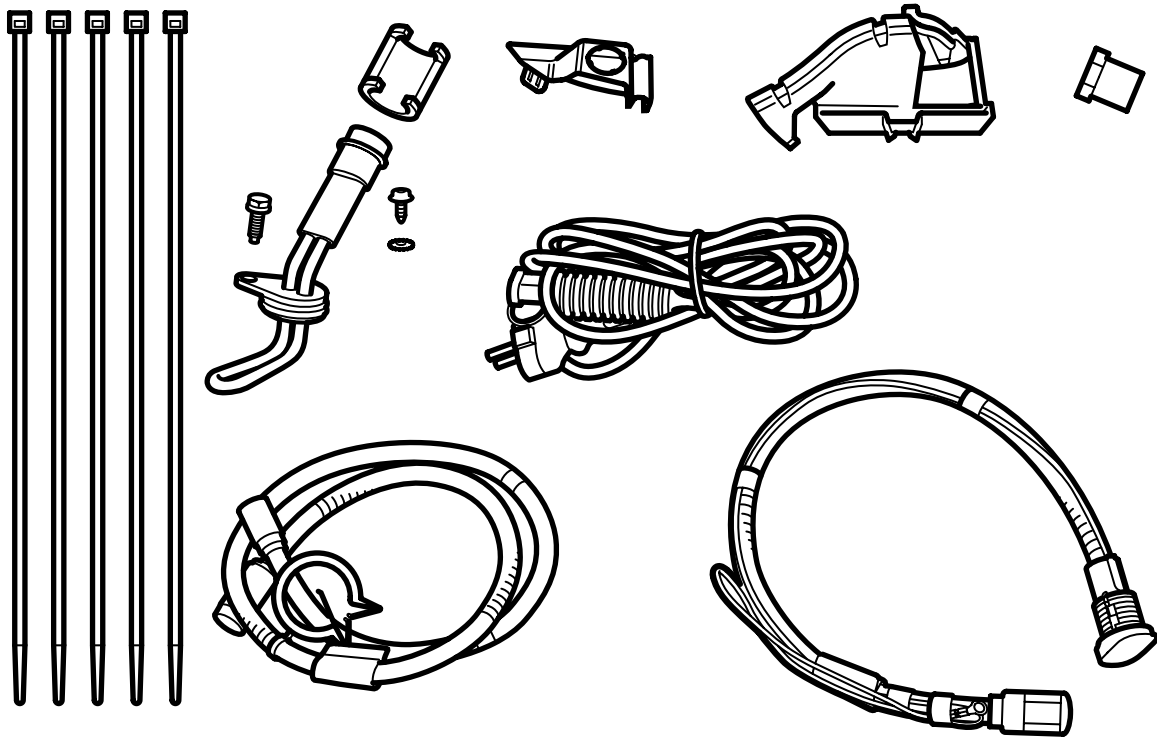


**MONTERINGSANVISNING · INSTALLATION INSTRUCTIONS
MONTAGEANLEITUNG · INSTRUCTIONS DE MONTAGE**

Saab 9-3 B207 M08-

Engine block heater

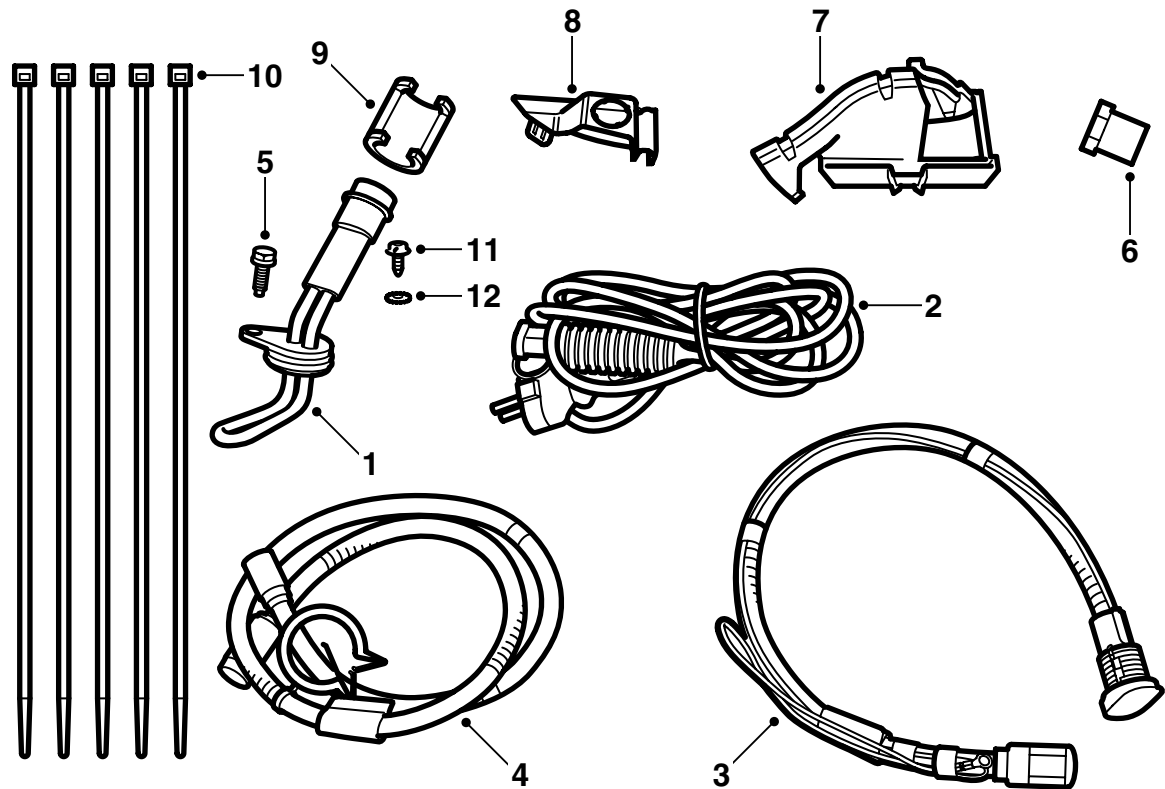
Accessories Part No.	Group	Date	Instruction Part No.	Replaces
32 026 190 32 026 241		Oct 07	32 026 197	



F920A078

Instructions for cars with standard front, see page 4

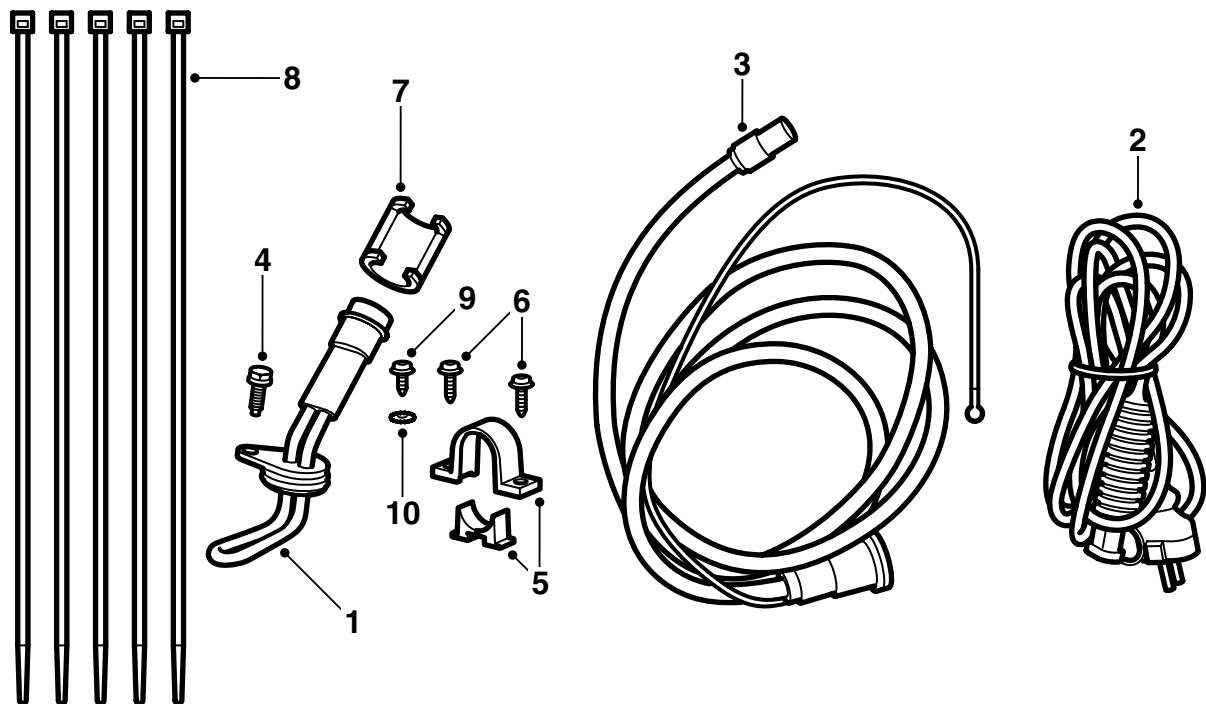
Instructions for cars with Aero front, see page 9



F920A079

Cars with standard front

- 1 Heating element
- 2 Extension cable
- 3 Connecting cable with ground cable
- 4 Connecting cable, extension piece with clip
- 5 Screw M6x16
- 6 Plastic nut
- 7 Inner bracket
- 8 Outer bracket
- 9 Retaining clip (x2)
- 10 Cable tie
- 11 Screw
- 12 Serrated washer

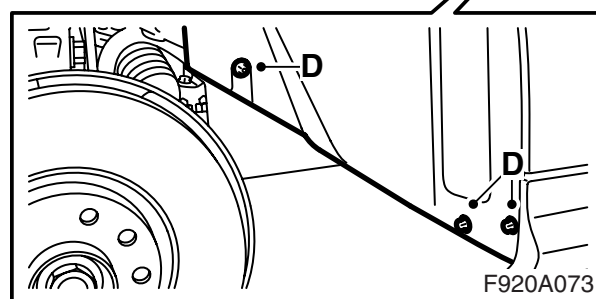
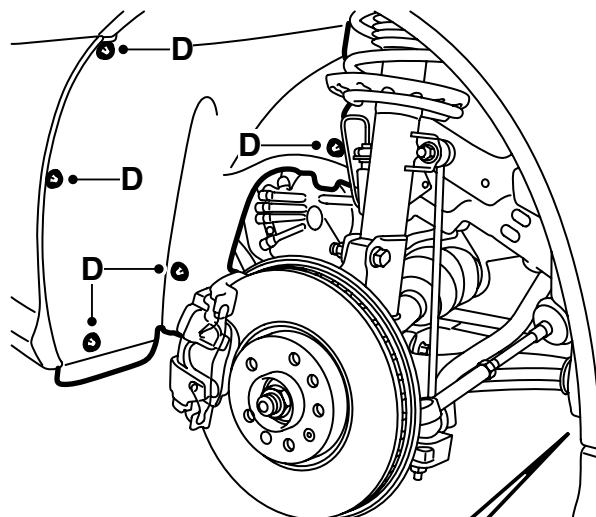
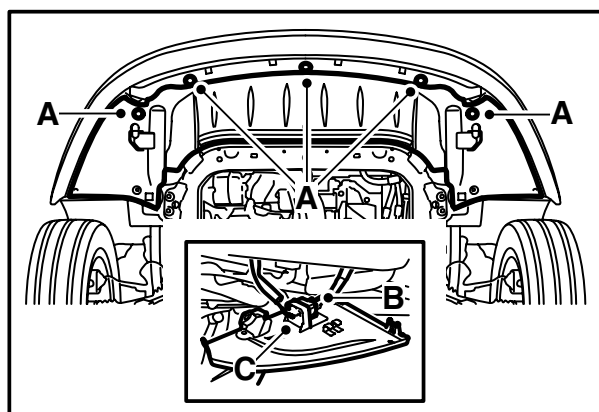
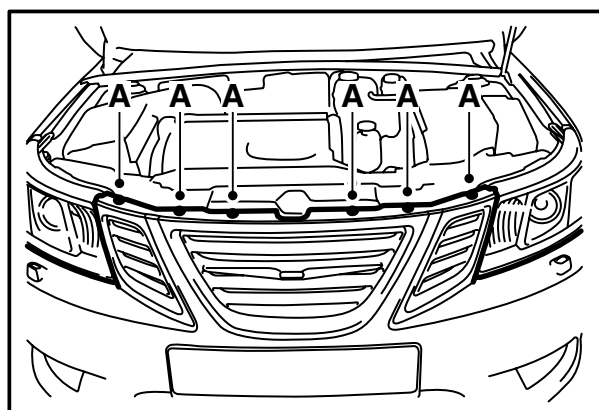


F920A003

Cars with Aero front

- 1 Heating element
- 2 Extension cable
- 3 Connecting cable with ground cable
- 4 Screw M6x16
- 5 Holder
- 6 Screw (x2)
- 7 Retaining clip
- 8 Cable tie
- 9 Screw
- 10 Serrated washer

Cars with standard front



- 1 Remove the expansion tank cap.

⚠ WARNING

The cooling system is under pressure. Hot coolant and steam can be released.

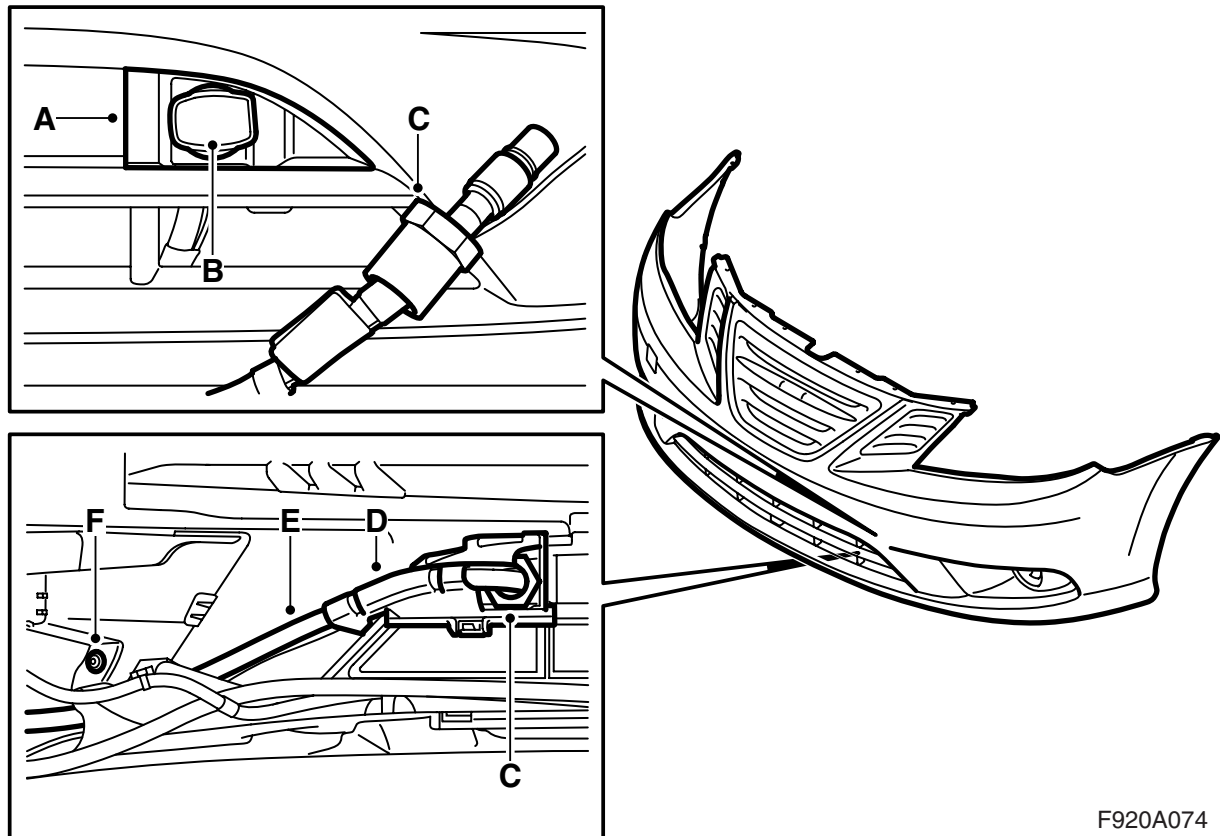
- Therefore, open the cap slowly to release the pressure.
- Carelessness can cause eye and burn injuries

- 2 Remove the bumper's upper screws (A).
- 3 Raise the car.
- 4 Remove the bumper's lower screws (A), unplug the bumper's connector (B) and remove it from the holder (C) on the spoiler shield.
Cars with headlamp washers: Unhook the hose from the spoiler shield.
- 5 Place a receptacle under the engine, open the drain plug on the bottom of the coolant pump and drain the coolant.

⚠ WARNING

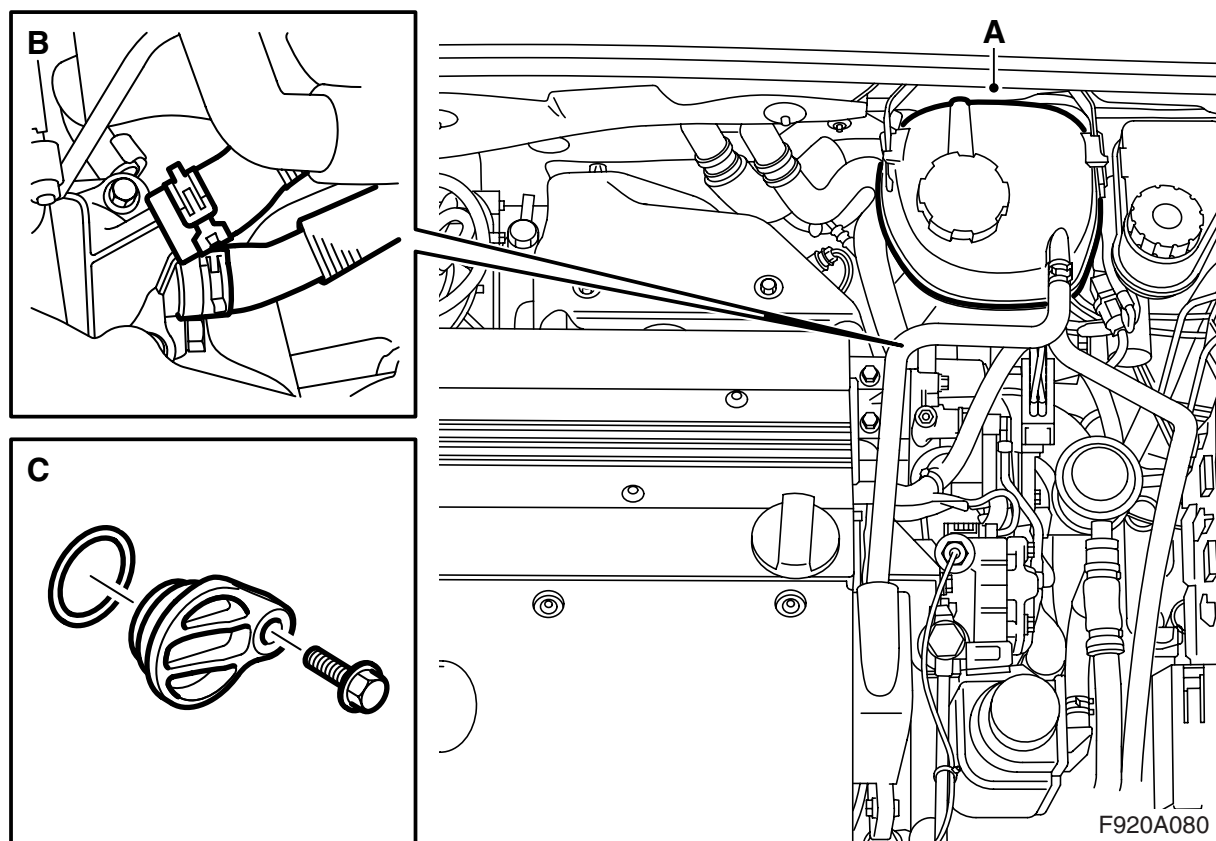
Exercise caution if the engine is hot. Coolant is hot, and there is also the risk of burns from the exhaust manifold.

- 6 Remove the left-hand front wheel.
- 7 Remove the left-hand front wing liner (D).
- 8 Remove the bumper shell.



F920A074

- 9 Fit the bracket (A) to the bumper. The bracket should snap in.
- 10 Route the connecting cable (B) through the bracket and fit the nut (C).
- 11 Turn the bumper over.
- 12 Fit the inner bracket (D), make sure that it locks, and fit the connecting cable (E) in the bracket.
- 13 Tighten the nut (C) by hand.
- 14 Undo the screw (F) for the fog light, route the connecting cable (E) under the fog light bracket. Refit the screw (F).



- 15 Lower the car.
- 16 Unhook the expansion tank (A) and move it to one side.
- 17 Remove the coolant hoses (B) from the thermostat housing.
- 18 Remove the cover (C), located under the thermostat housing.

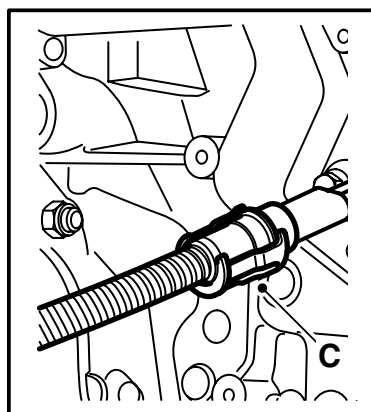
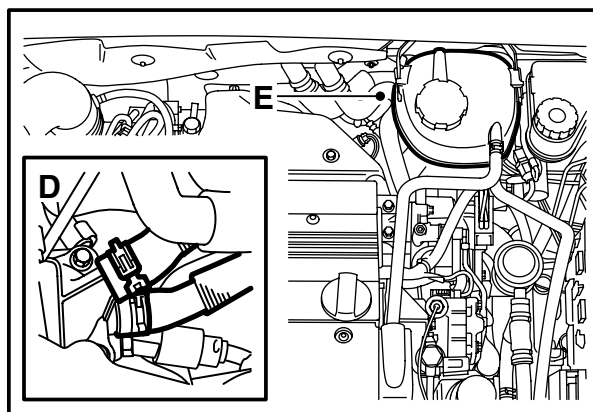
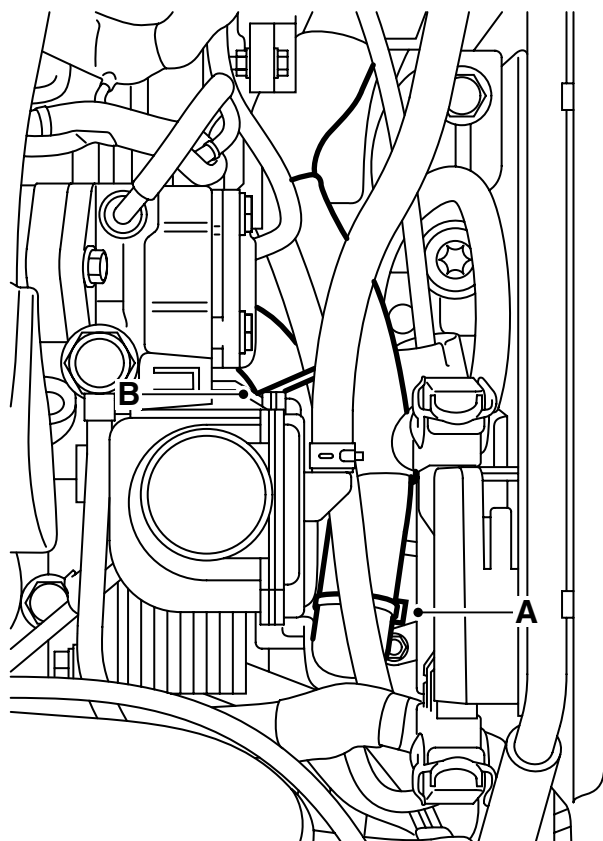
Important

The O-ring may stick in the thermostat housing, make sure it is removed.

The screw must be discarded as it must not be refitted together with the engine block heater.

-
- 19 Lubricate the engine block heater O-ring with non-acidic Vaseline, insert the heater into the thermostat housing and fit it together with the screw in the kit.

Tightening torque 10 Nm (7.5 lbf ft)



F920A081

- 20 Route the connecting cable over the radiator bleed hose, down along the bottom of the battery tray and back towards the engine block heater. Secure the connecting cable to the radiator hose with the clip (A) and cable tie (B).

⚠ WARNING

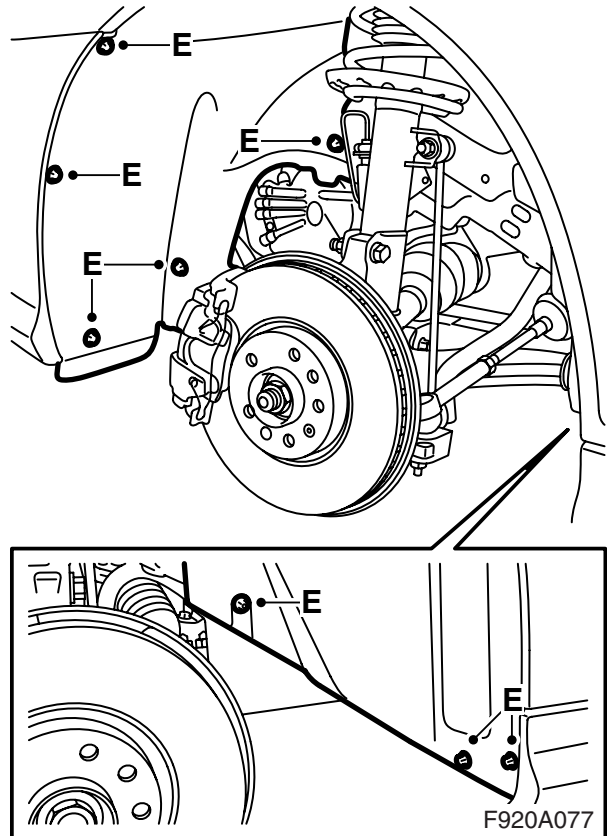
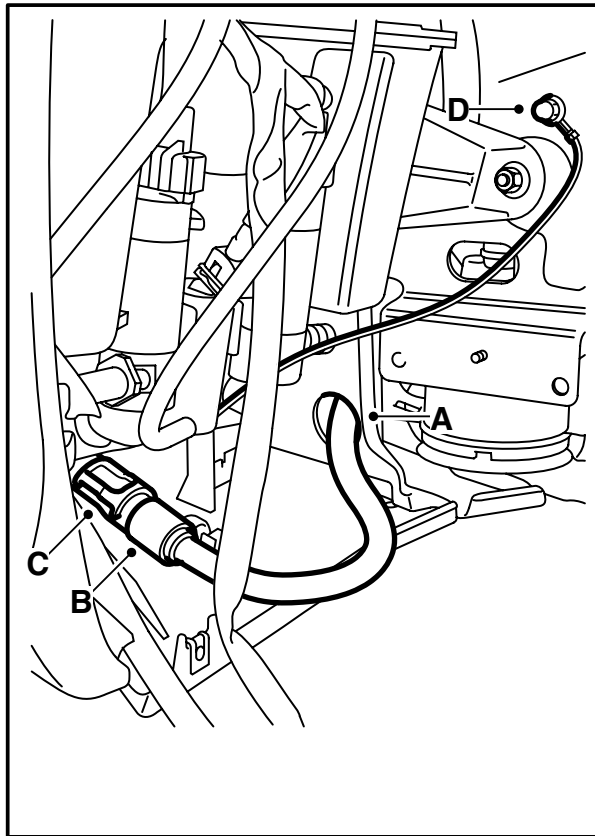
Make sure the cable does not rub against any sharp edges or hot surfaces. Damage caused by chafing and melting could cause a short circuit or even fire.

- 21 Apply non-acidic Vaseline, part no. 30 15 286, or equivalent on the connecting cable O-ring and connect the cable to the engine block heater.

⚠ WARNING

It is essential to lubricate the connecting cable O-ring before it is connected and that all connections are pressed in properly. A bad contact can cause overheating and fire.

- 22 Fit the retaining clip (C) over the connection. A click should be heard when the retaining clip is fitted correctly.
- 23 Connect the coolant hoses (D).
- 24 Fit the expansion tank (E).



- 25 Raise the car.
- 26 Route the connecting cable through the hole (A).
- 27 Fit the front bumper shell, fit the bumper's connector into the holder and plug in the connector.
Cars with headlamp washers: Hook the hose to the spoiler shield.
- 28 Connect the extension cable (B) to the connecting cable, fit the retaining clip (C) over the connection. A click should be heard when the retaining clip is fitted correctly.
Fit any excess connecting cable in the bumper space. Secure with cable ties.
- 29 Fit the ground cable to the grounding point (D) with the existing domed nut.
- 30 Fit the front wheel housing (E).
- 31 Fit the left-hand front wheel.
- 32 Lower the car.
- 33 **Cars with headlamp washers:** Check the function of the headlamp washers.
- 34 Fill with coolant and fit the cap on the expansion tank. Check the system for leaks.

- 35 Bleed the cooling system in the following way:

WARNING

The cooling system is under pressure. Hot coolant and steam can be released.

- Therefore, open the cap slowly to release the pressure.
- Carelessness can cause eye and burn injuries

Note

The A/C or ACC should be switched OFF.

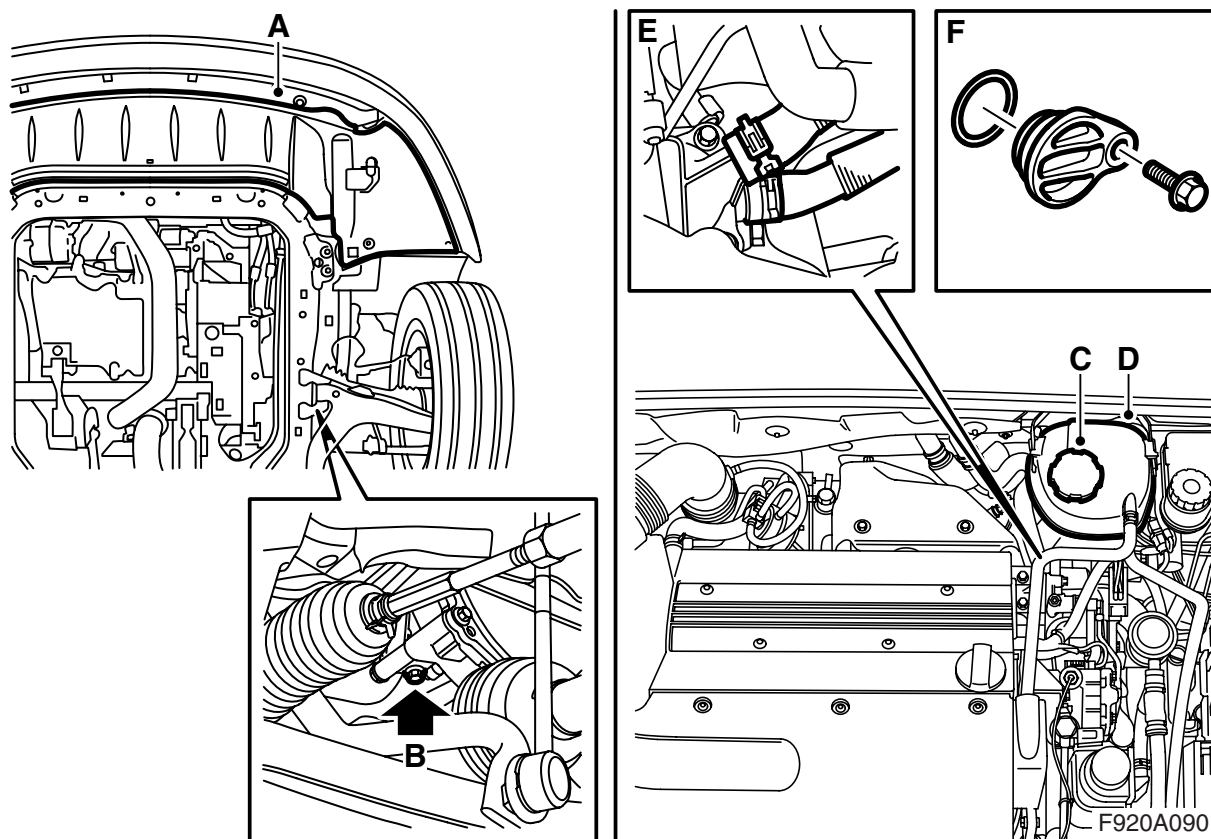
Fill the cooling system to the MAX level. Close the cap on the expansion tank, start the engine and run it to operating temperature at varying engine speeds.

Make sure there is a continuous flow of coolant from the hose leading from the thermostat housing to the expansion tank.

Run the engine until the thermostat opens.

Carefully open the expansion tank cap and top up to the MAX level. Close the cap. Switch off the engine and if necessary top the coolant up to the MAX level.

Cars with Aero front



- 1 Raise the car.
- 2 Remove the spoiler shield (A), unplug the bumper's connector and remove it from the holder on the spoiler shield.

Cars with headlamp washers: Unhook the hose from the spoiler shield.

- 3 Place a receptacle under the engine, open the drain plug (B) on the bottom of the coolant pump and drain the coolant.

- 4 Lower the car.

- 5 Remove the expansion tank cap (C).

- 6 Unhook the expansion tank (D) and move it to one side.

- 7 Remove the coolant hoses (E) from the thermostat housing.

- 8 Remove the cover (F), located under the thermostat housing.

- 9 Lubricate the engine block heater O-ring with non-acidic Vaseline, insert the heater into the thermostat housing and fit it together with the screw in the kit.

Tightening torque 10 Nm (7.5 lbf ft)

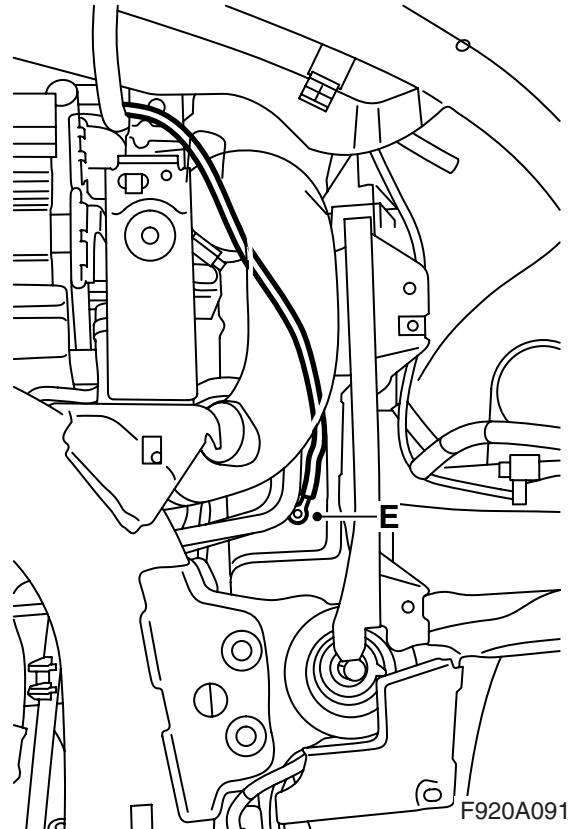
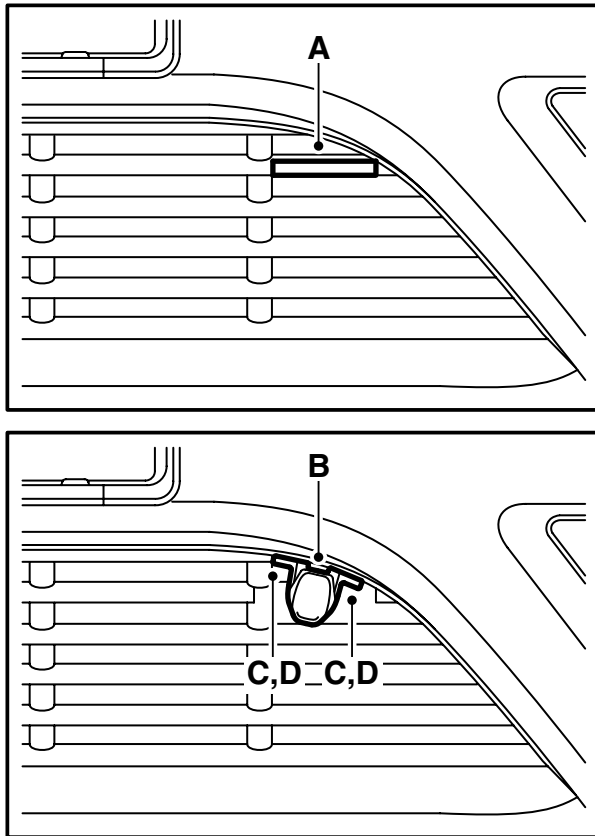
- 10 Raise the car.

- 11 Fit the drain plug (B) in the bottom of the coolant pump.

Important

The O-ring may stick in the thermostat housing, make sure it is removed.

The screw must be discarded as it must not be refitted together with the engine block heater.

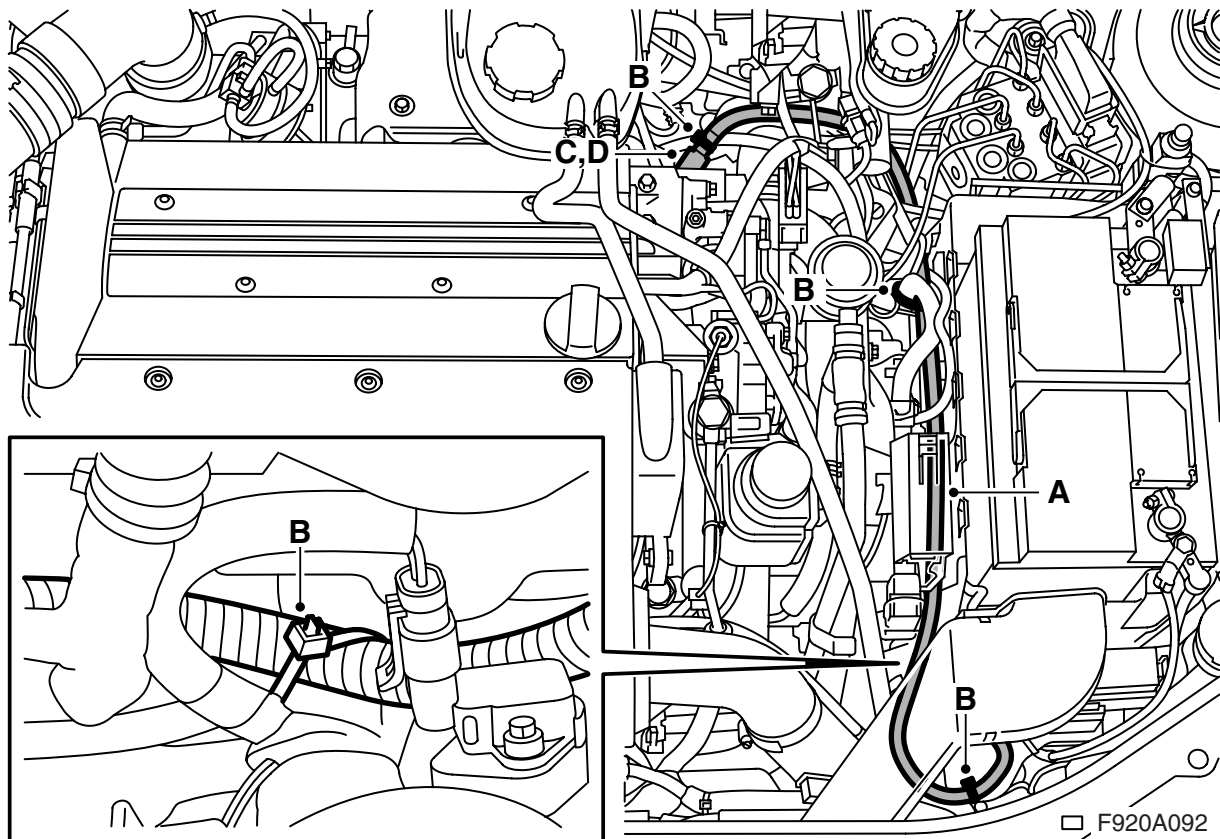


- 12 Lower the car to a suitable working height.
- 13 Saw away the grille using a jig saw in accordance with the marking (A).
- 14 Align the holder in accordance with position (B), as far in towards the grille as possible to prevent the connector from protruding. The holder will fit into the bumper radius. Make the hole with an awl (C).
- 15 Fit the connector plug in the holder, the arrow on the holder should point forward, the cover should open upward. Fit the holder with the screws (D).
- 16 Detach the connector located on the structural member. Using a 3.5 mm bit, drill a hole in the structural member for the ground cable (E).

Important

Drill the hole immediately next to the square hole.

- 17 Scrape away the paint to make a good ground connection and secure the ground cable using the screw and serrated washer (the serrated washer should be placed between the ground cable terminal and the body). Apply thin anti-corrosion protection, part no. 30 15 971.
- 18 Route the connecting cable up between the radiator and the charge air hose, and on straight up by the side of the structural member. Plug in the connector located on the structural member.



- 19 Lower the car.
- 20 Route the connecting cable to the left of the radiator and secure the cable to the upper left-hand radiator mounting with a cable tie.

⚠ WARNING

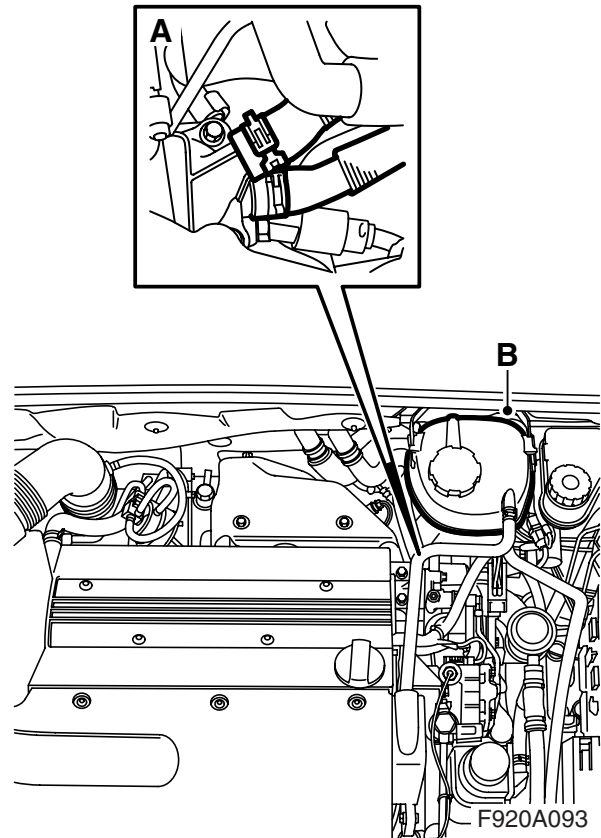
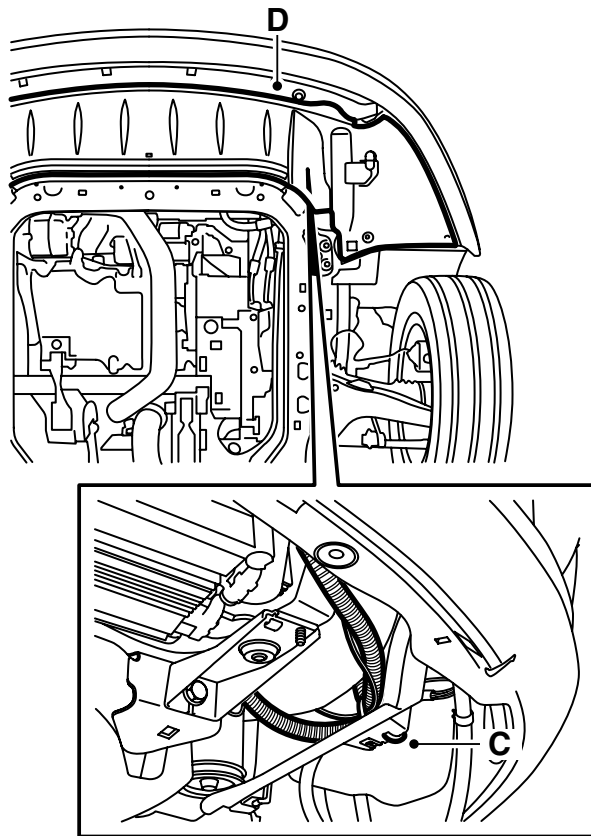
Make sure the cable does not rub against any sharp edges or hot surfaces. Damage caused by chafing and melting could cause a short circuit or even fire.

- 21 Route the connecting cable (A) over the radiator bleed hose, down along the bottom of the battery tray and back towards the engine block heater. Secure the connecting cable with the cable tie (B).
- 22 Apply non-acidic Vaseline, part no. 30 15 286, or equivalent on the connecting cable O-ring and connect the cable to the engine block heater (C).

⚠ WARNING

It is essential to lubricate the connecting cable O-ring before it is connected and that all connections are pressed in properly. A bad contact can cause overheating and fire.

- 23 Fit the retaining clip (D) over the connection. A click should be heard when the retaining clip is fitted correctly.



- 24 Connect the coolant hoses (A).
- 25 Fit the expansion tank (B).
- 26 Fill with coolant and fit the cap on the expansion tank. Check the system for leaks.
- 27 Bleed the cooling system in the following way:

Note

The A/C or ACC should be switched OFF.

Fill the cooling system to the MAX level. Close the expansion tank cap. Start the engine and run it to operating temperature at varying engine speeds until the radiator fan cuts in. Carefully open the expansion tank cap and top up to the MAX level. Close the cap. Switch off the engine and if necessary top the coolant up to the MAX level.

WARNING

The cooling system is under pressure. Hot coolant and steam can be released.

- Therefore, open the cap slowly to release the pressure.
- Carelessness can cause eye and burn injuries

- 28 Raise the car.
- 29 Fit any excess connecting cable between the charge air hose and the plastic shield. Secure with a cable tie (C).

- 30 Lift up the spoiler shield, fit the bumper's connector into the holder and plug in the connector.

Cars with headlamp washers: Hook the hose to the spoiler shield.

All: Fit the spoiler shield (D).

- 31 Lower the car.
- 32 **Cars with headlamp washers:** Check the function of the headlamp washers.

User instructions

- The extension lead must be a rubber cable, resistant to oil and approved for outdoor use with an area of at least 3x1.5 mm².
- The heater system may only be connected to a grounded socket.
- Treat all cables with caution. Watch out for damage caused by jamming the cable between the hood (bonnet) and the car body, and for cuts caused by sharp metal objects.

 **WARNING**

Check the ground connection between the connecting cable ground pin, the heater casing and the car body regularly to prevent electric shocks.

- Inspect the extension lead regularly for damage and ageing. A damaged lead must be replaced immediately.

Note

The function of the heater can be at risk if:

- the coolant is contaminated
- the coolant level is too low or if there is air in the system
- ice sludge is present in the system
- radiator cement is used