

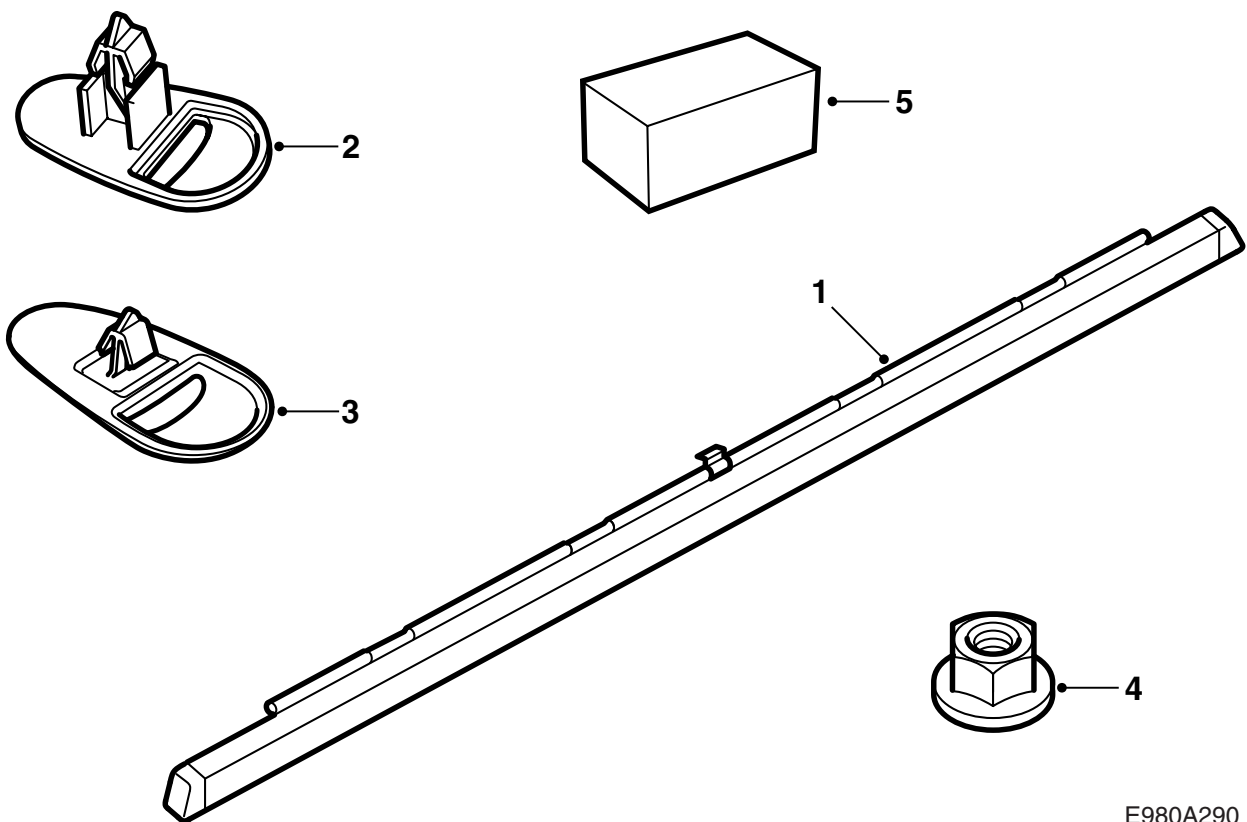


MONTERINGSANVISNING · INSTALLATION INSTRUCTIONS
MONTAGEANLEITUNG · INSTRUCTIONS DE MONTAGE

Saab 9-5 4D

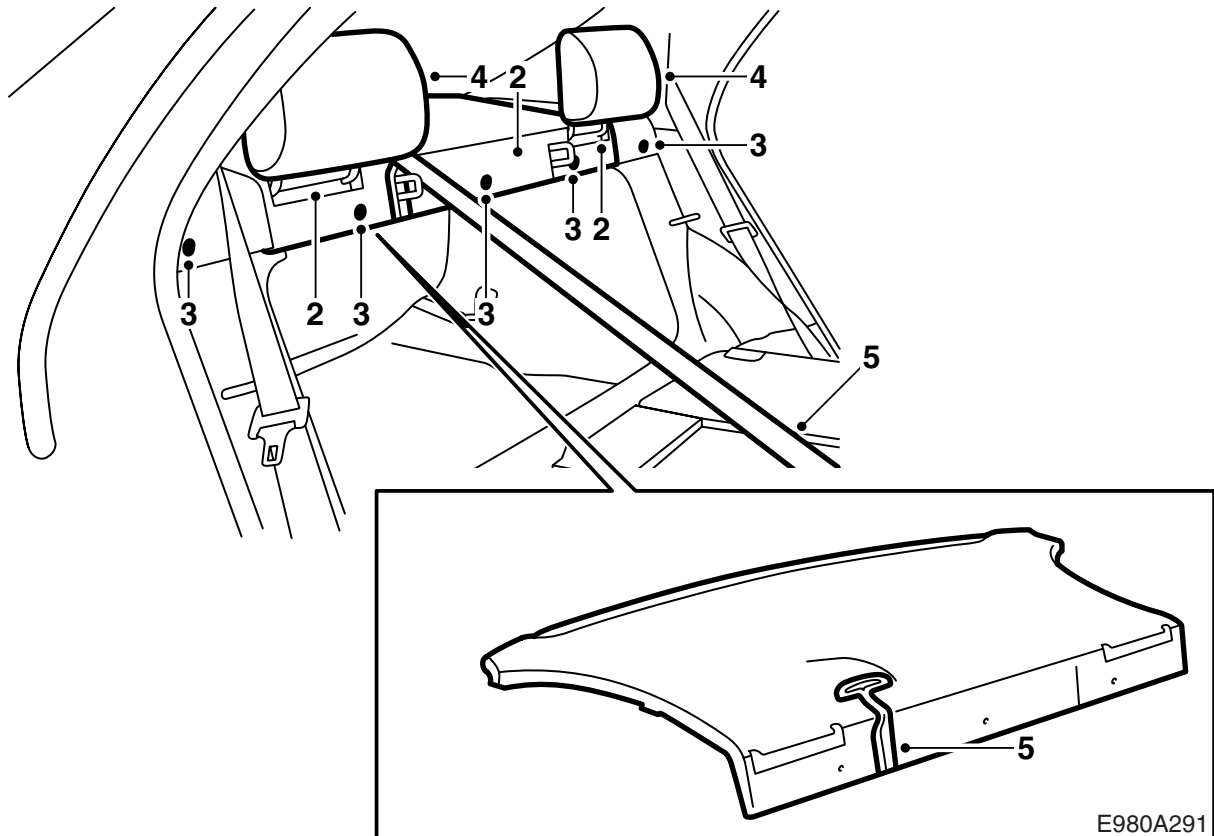
Sun blind, rear window

Accessories Part No.	Group	Date	Instruction Part No.	Replaces
400 130 761 400 130 779	8:53-20	Feb 01	54 33 800	



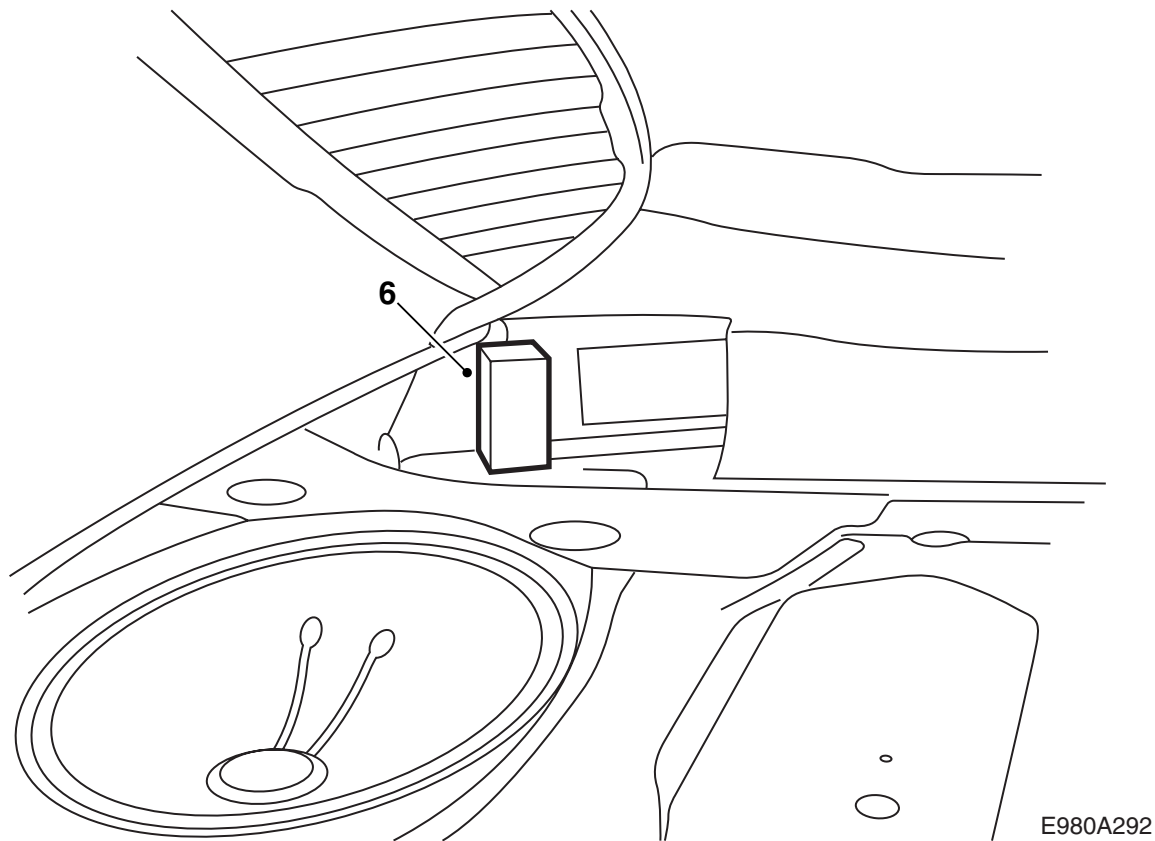
E980A290

- 1 Sun blind
- 2 Clips (x2) -M01
- 3 Clips (x2) M02-
- 4 Hex nut with washer (x2)
- 5 Spacer (x2)

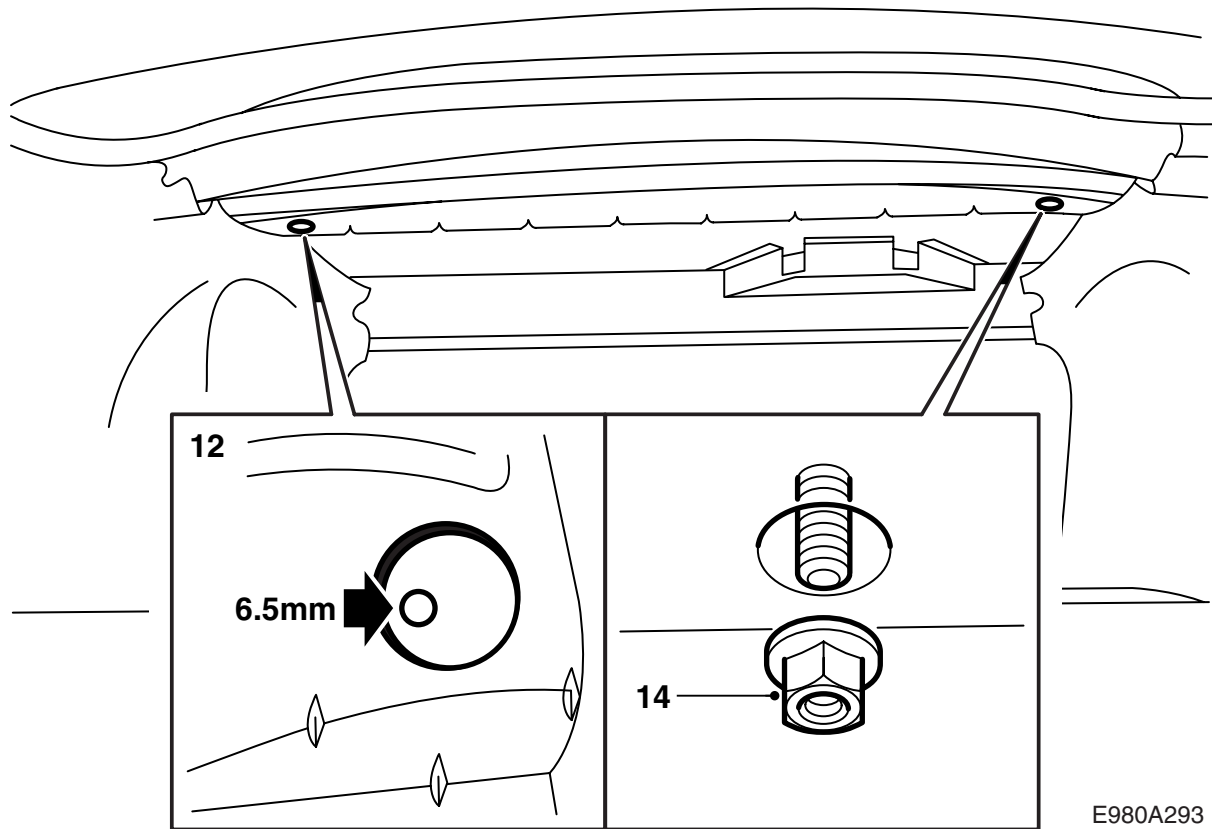


- 1 Affix double-sided tape to both ends of the spacers.
- 2 Lower the rear seat and remove the three covers.
- 3 Remove the clips (5 pcs) securing the front edges of the parcel shelf and loudspeaker grilles. Use tool 84 71 179.
- 4 Remove the head restraints and loudspeaker grilles.
- 5 Remove the centre seatbelt from the groove in the parcel shelf.

E980A291



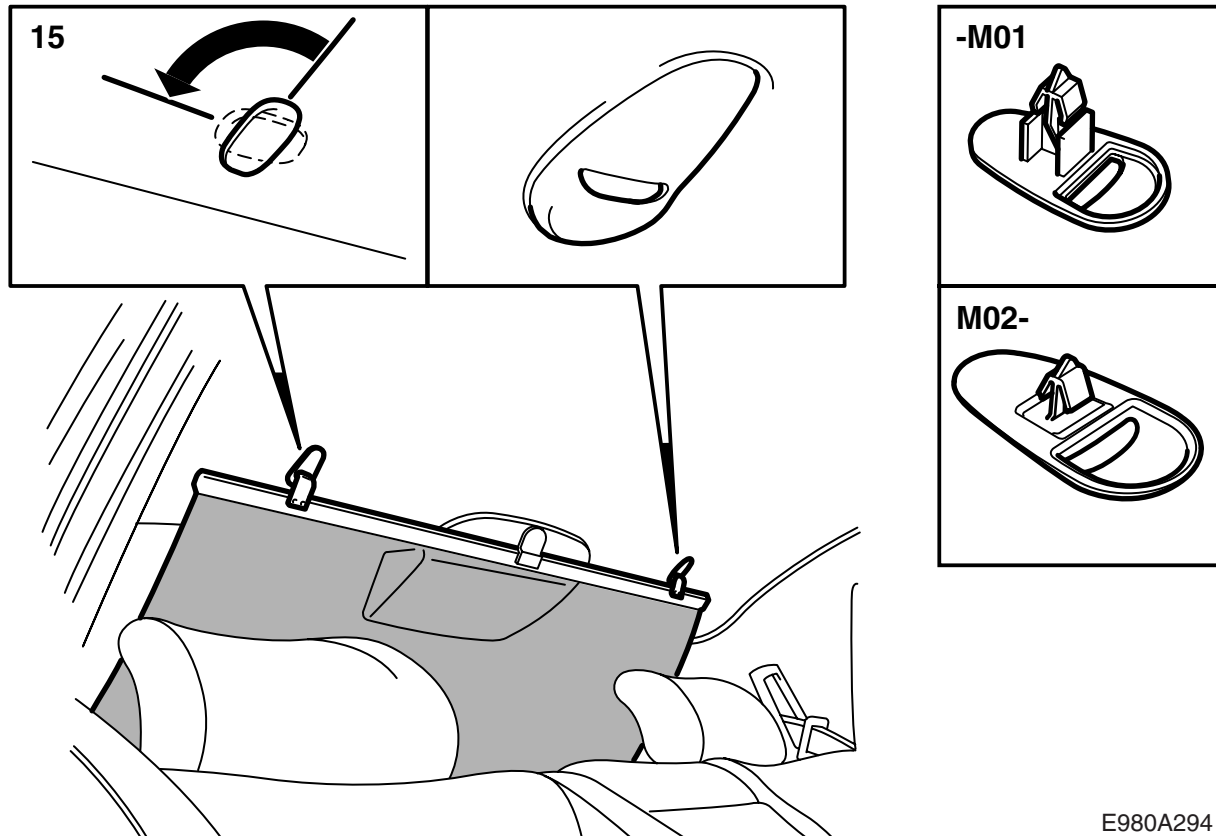
- 6 Lift up the front edge of the parcel shelf, remove the protective paper on the double-sided tape and fit the spacers on the left and right-hand side between the fold and joint, as illustrated.
- 7 Position the parcel shelf and guide the centre seatbelt into the groove in the parcel shelf.
- 8 Fit the loudspeaker grilles and the 5 clips securing the grilles and parcel shelf.
- 9 Fit the head restraints and covers.
Raise the rear seat.



E980A293

- 10 Open the bootlid and locate the holes in the body under the parcel shelf.
- 11 Locate the markings (recess) for the drill holes on the underside of the parcel shelf (approx. 50 mm between the body and parcel shelf).
- 12 Drill holes as marked with a 6.5 mm bit. It is vital that the holes are drilled as marked so that the sun blind fits perfectly. Remove any cuttings from the parcel shelf.
- 13 Position the sun blind on the parcel shelf, aligning it with the holes.
- 14 Thread the nuts from below the parcel shelf. Tighten the nuts.

Tightening torque 8 Nm (6 lbf ft)



E980A294

- 15 Remove the clips securing the rear edge of the headlining by twisting then 90°.
- 16 Fit the new clips included in the kit.

Important

Cars up to M01 use a different type of clip to that used on cars from M02 and onwards.

The recess in the clips should face upwards.