

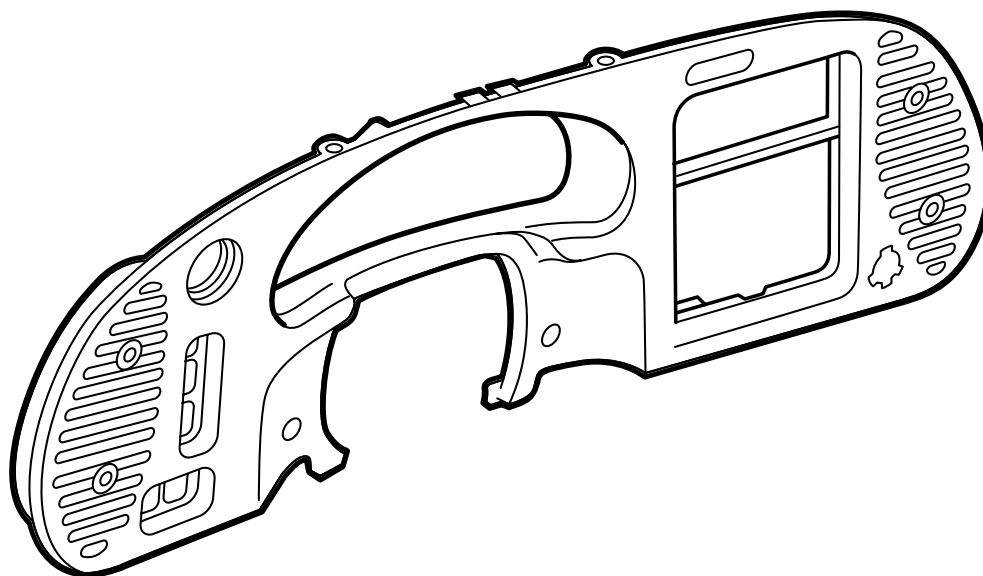


**MONTERINGSANVISNING · INSTALLATION INSTRUCTIONS
MONTAGEANLEITUNG · INSTRUCTIONS DE MONTAGE**

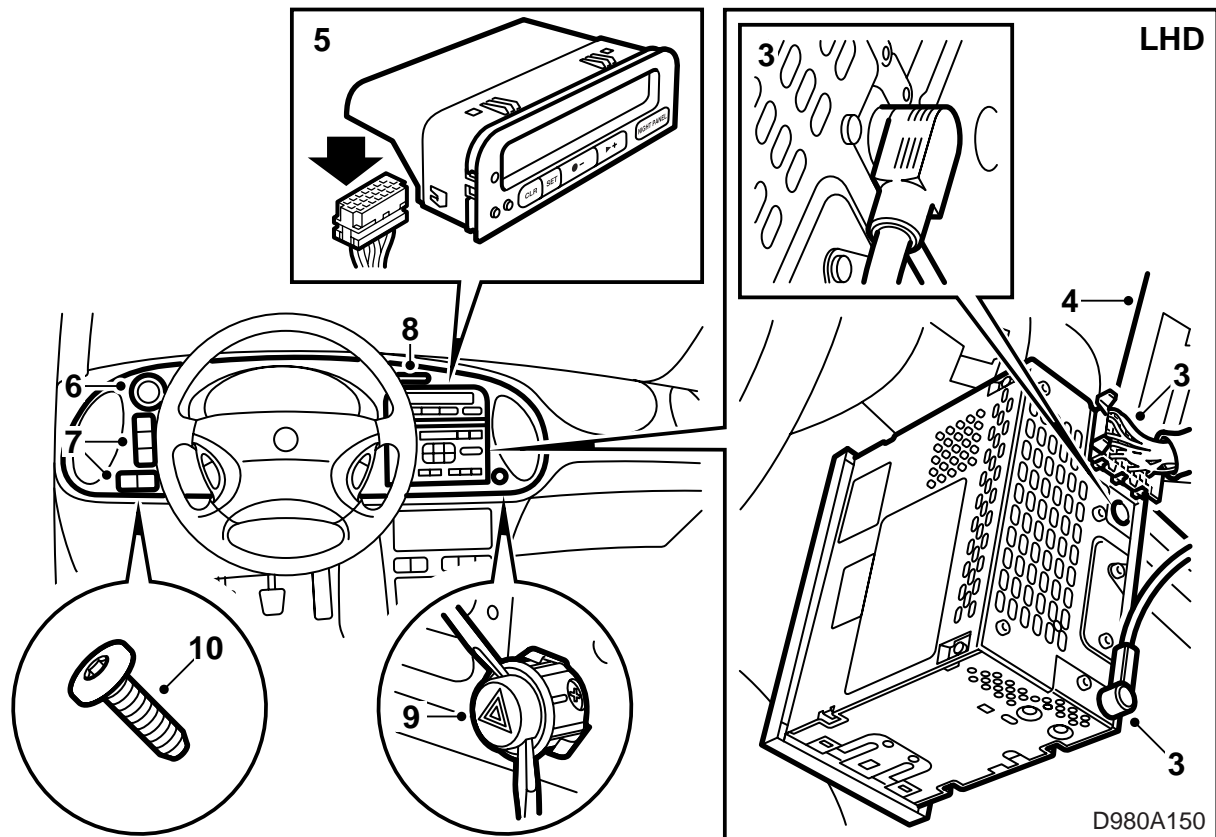
Saab 900 M94-, Saab 9-3

Instrument plate, wood/carbon fibre

Accessories Part No.	Group	Date	Instruction Part No.	Replaces
400 111 993				
400 112 009				
400 112 561				
400 112 579				
400 131 520				
400 131 538	9:85-8	Jun 01	86 83 658	86 83 658 Dec 98



D980A149

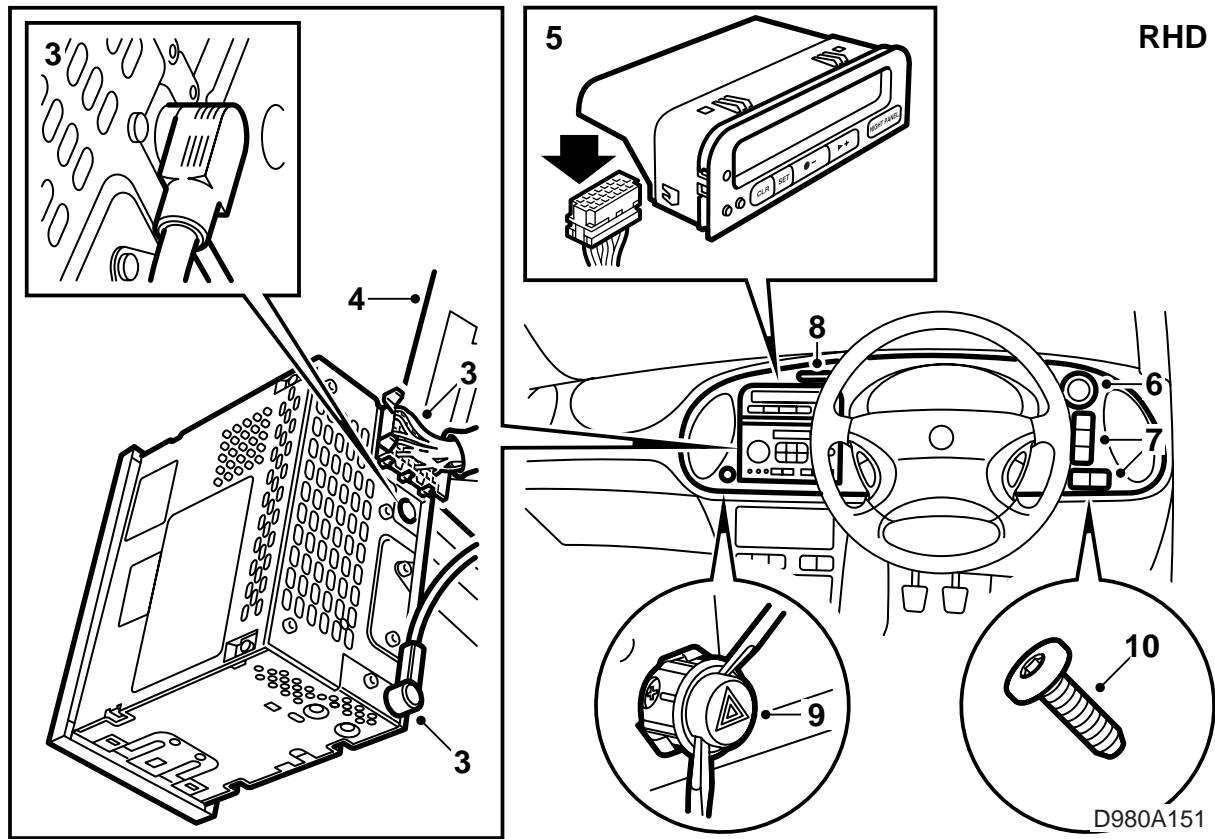


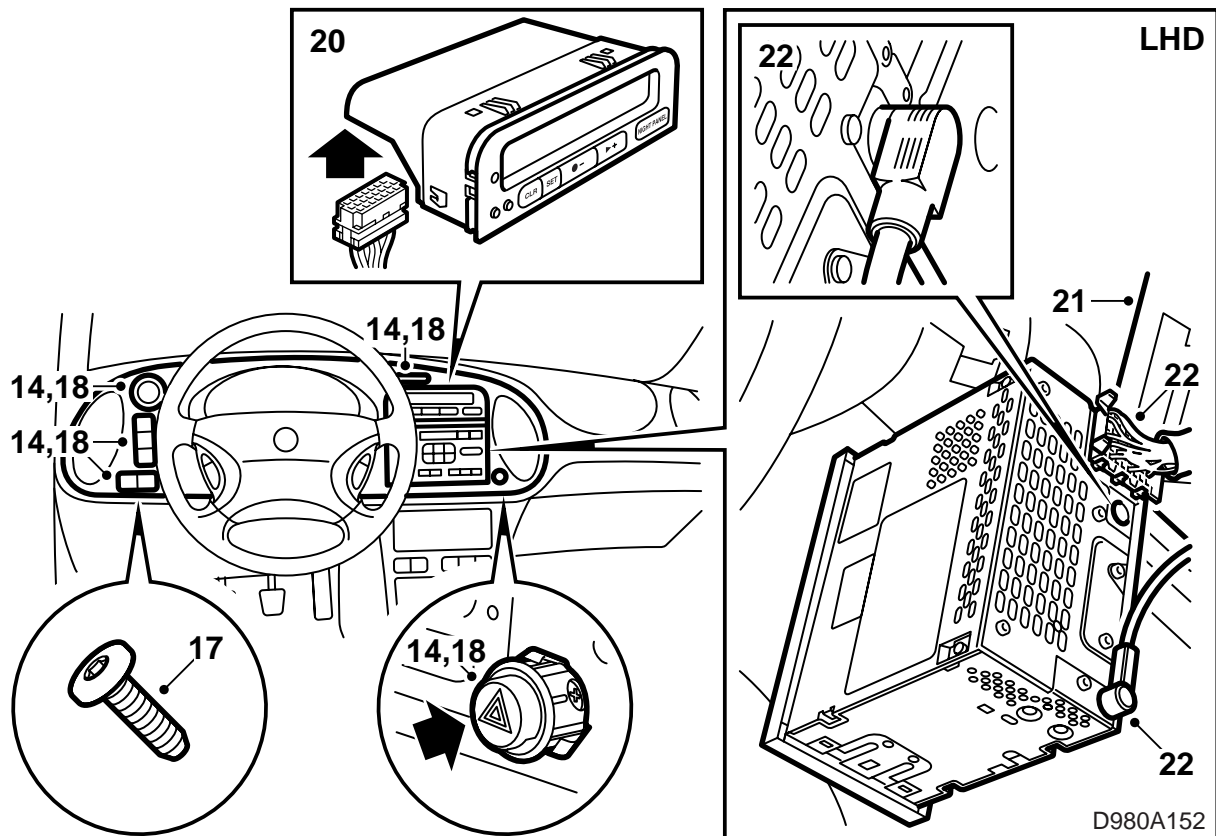
- 1 Remove the steering column covers.
- 2 Pull the steering wheel to its outer position.
- 3 Pull out the radio with the removal tool and unplug the connectors at the rear. Remove the storage tray if applicable.
- 4 Remove the radio mounting frame with a screwdriver.
- 5 Press out the SID unit from behind and unplug the connectors.
- 6 Remove the light switch.
- 7 Remove all switches and blank switches below the light switch by pressing them out from behind. Start from the top and work your way down.

Important

Note the position of the switches and the colour of the connectors.

- 8 Remove the bulb behind the "FASTEN BELTS" symbol.
- 9 Remove the hazard flasher switch.
- 10 Undo the instrument plate retaining screws.
- 11 Loosen the top of the instrument plate and check that the catches on the sides release. Lift away the plate.
- 12 Transfer the holder for the "FASTEN BELTS" symbol and the symbol itself to the new instrument plate.





13 Lift the new instrument plate into position.

Important

Take care when fitting the instrument plate.

- 14 Plug in all the switch connectors. Start from the top and work your way down. Do not press them into the instrument plate yet.
Also plug in the connectors to the "FASTEN BELTS" lamp and the hazard flasher button.
- 15 Put the instrument plate in place by first positioning the bottom edge and then pushing in the top edge and the catches on the sides.
- 16 Make sure the air vents are connected correctly.
- 17 Tighten the instrument plate retaining screws.
- 18 Press in all switches and blank switches into the instrument plate.
- 19 Remove the SID mounting frame from the old instrument plate and fit the frame into the new one.
- 20 Connect and refit the SID unit.
- 21 Refit the radio mounting frame and, if applicable, the storage tray.
- 22 Connect the radio and press it into the frame.
- 23 Refit the steering column covers.
- 24 Place the installation instructions inside the car.

