

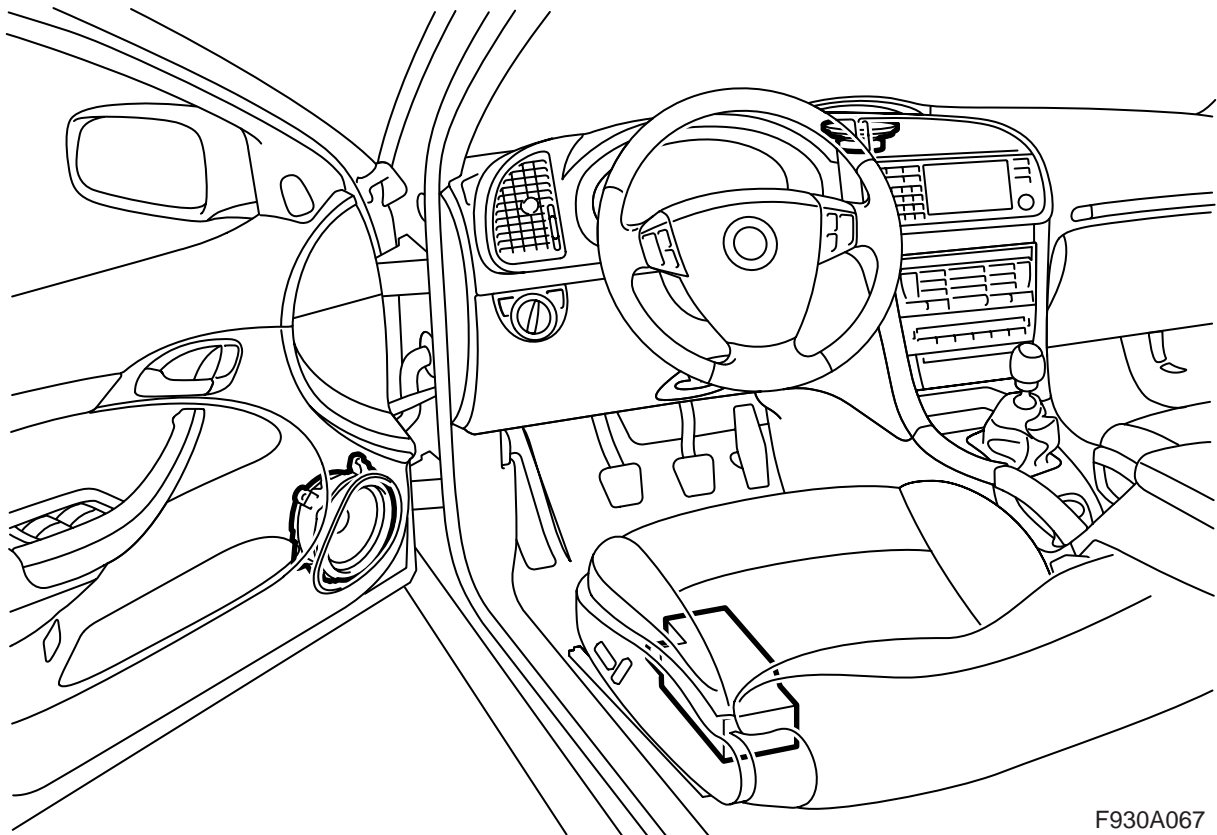


**MONTERINGSANVISNING · INSTALLATION INSTRUCTIONS
MONTAGEANLEITUNG · INSTRUCTIONS DE MONTAGE**

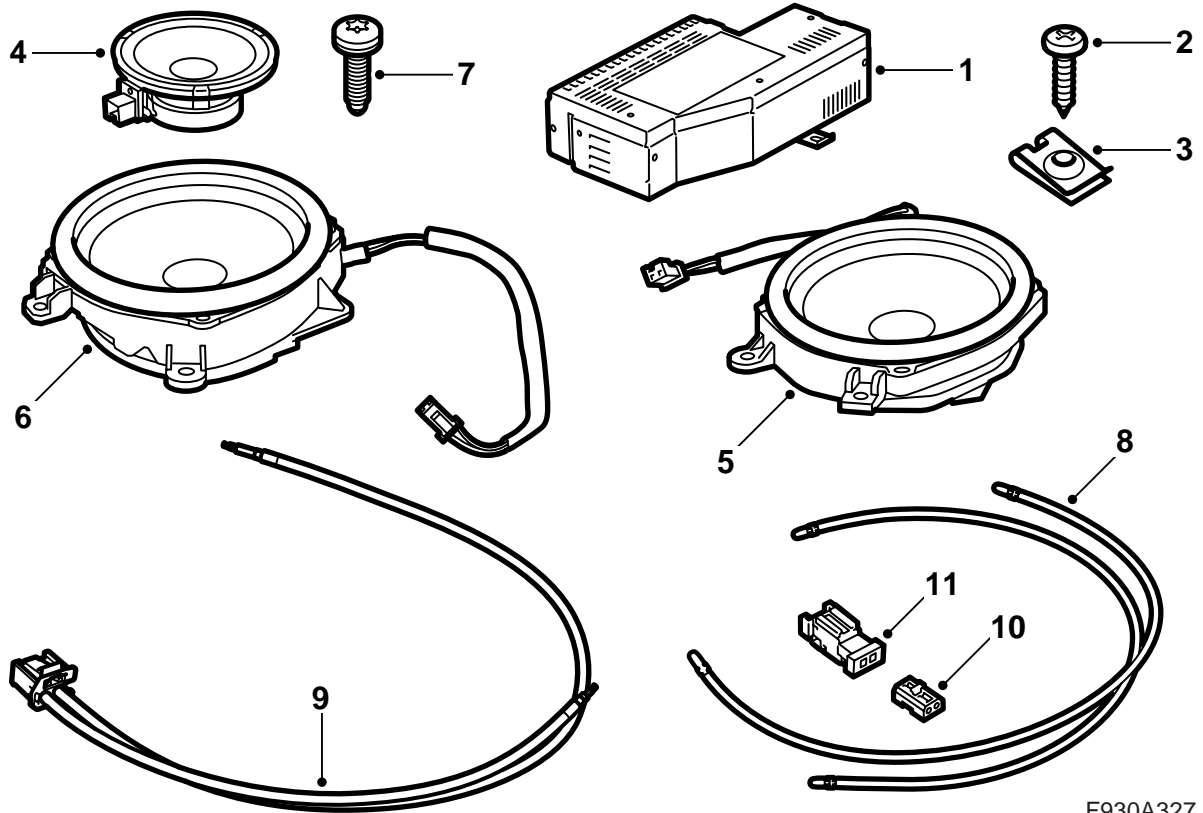
Saab 9-3 4D M03-, 5D M06-

Upgrade to Premium 150 sound system

Accessories Part No.	Group	Date	Instruction Part No.	Replaces
12 806 042 32 025 834 32 000 572	9:36-27	Jan 06	12 806 043	12 806 043 Jun 05

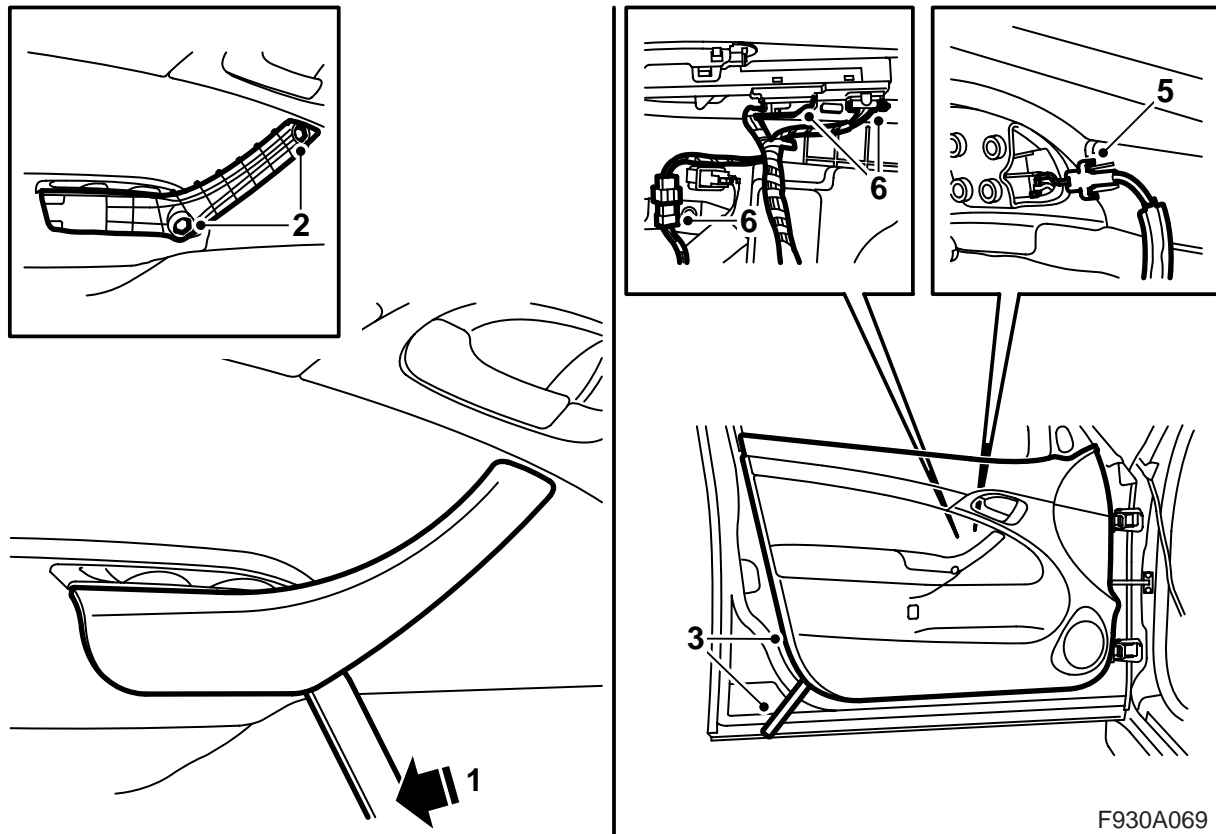


F930A067



F930A327

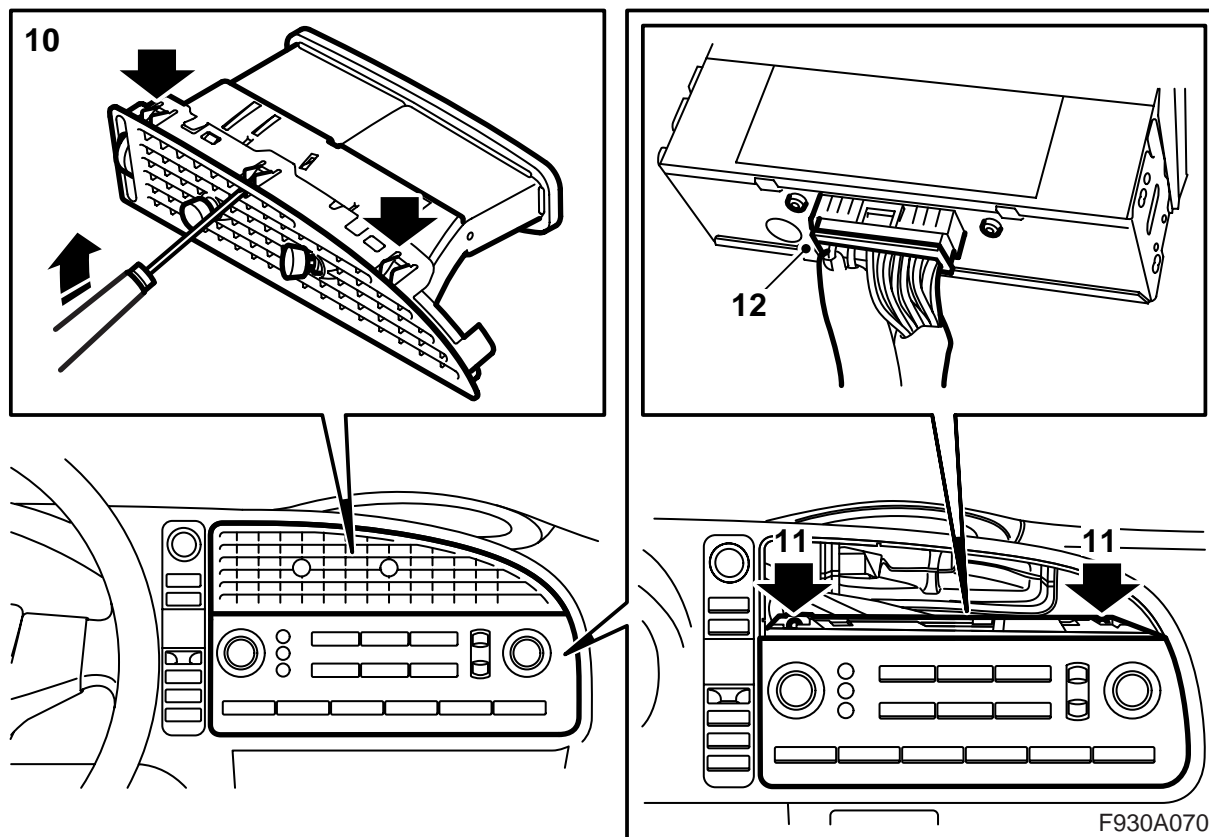
- 1 Amplifier
- 2 Screw
- 3 Clip nut
- 4 Midrange speaker
- 5 Bass speaker L
- 6 Bass speaker R
- 7 Screw (x6)
- 8 Fibre optic cable (x2)
- 9 Fibre optic cable kit
- 10 Connector, fibre optic cable, 2-pin (x4)
- 11 Cable connector, fibre optic cable, 2-pin (x3)



F930A069

The instructions cover one front door but are the same for both front doors.

- 1 Remove the inner handle cover by placing a thin tool (removal tool 82 93 474 is recommended) under the handle and lifting upwards.
 - 2 Remove the screws from the handle.
 - 3 Remove the door trim clips by carefully prising the door trim outwards.
 - 4 Lift the door trim upwards.
 - 5 Remove the opening handle cable.
 - 6 Remove the connectors from the door trim and window lift.
- Driver's door:** Unplug the cable connector in the wiring harness for the switches.
- 7 Cut away the sound insulation from behind the speaker grille. Place the door trim on a soft, clean surface.
 - 8 Repeat points 1-7 for the other front door.
 - 9 Remove the centre speaker grille (tool 82 93 474 is recommended).



- 10 Remove the centre air vent in the dashboard by carefully bending in the hooks accessible through the grille.

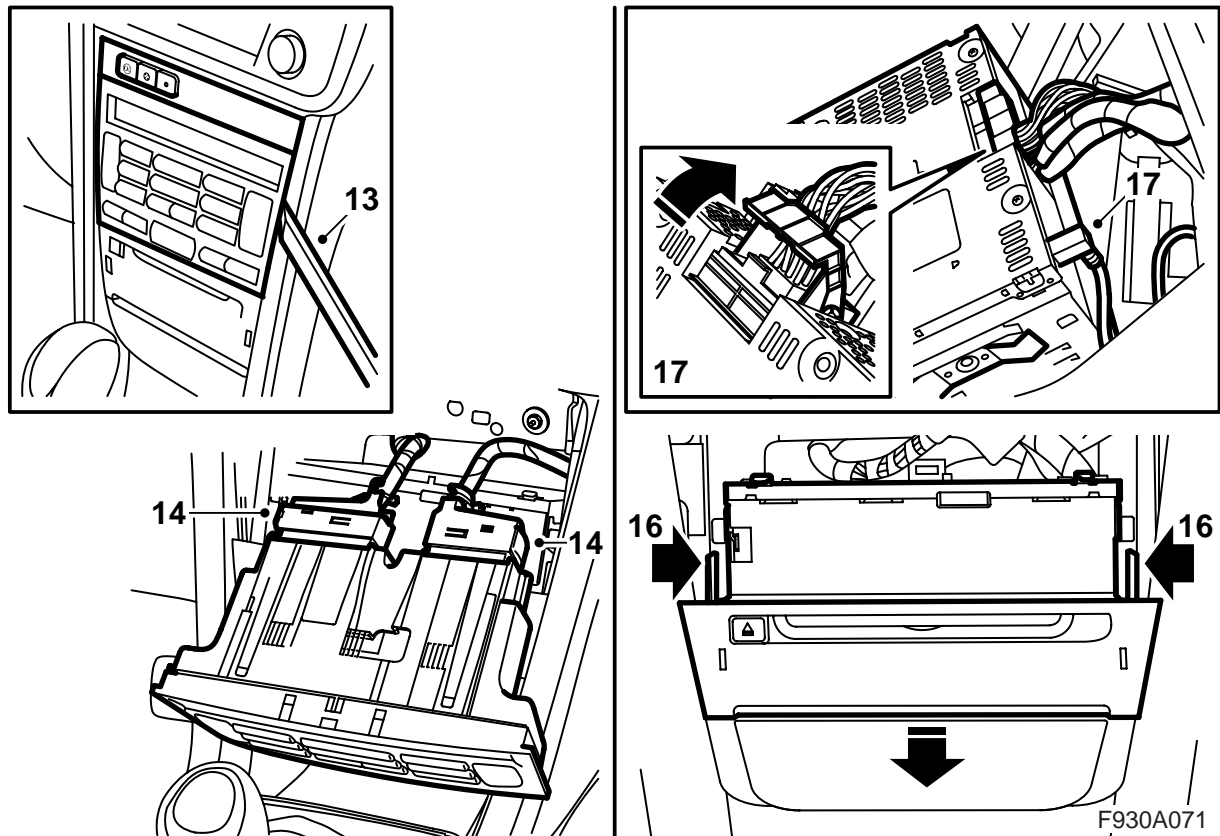
Note

Take care to bend the correct hooks. Hooks holding together the air outlet are also visible behind the grille.

- 11 Remove the retaining screws for the infotainment control panel.
12 Remove the control panel and remove the connector.

WARNING

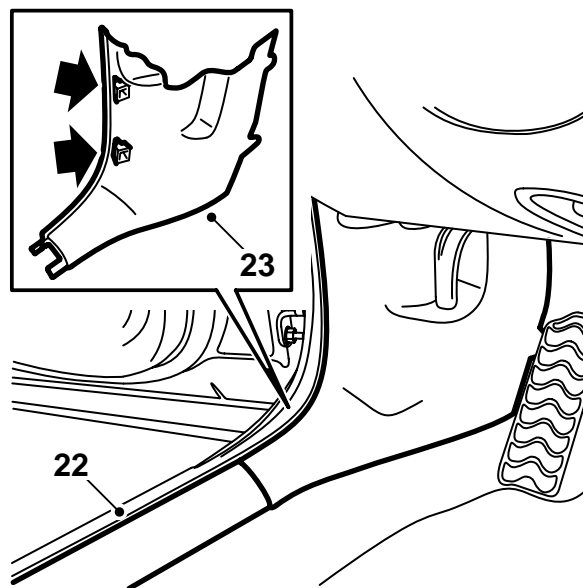
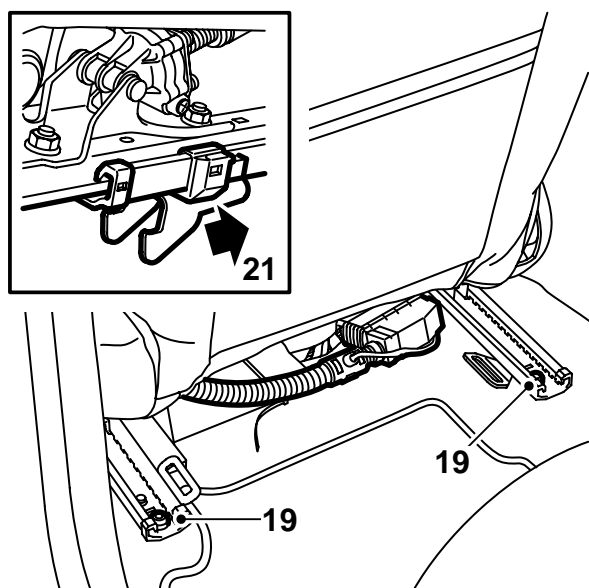
The visible red light is a class 1 laser. Do not look directly into the optical fibre or the control module connector at close range. A distance of less than 20 mm between your eyes and the light source may cause eye injury.



- 13 Remove the climate control system control unit by carefully drawing it out. Use removal tool 82 93 474.
- 14 Remove the control unit connector.
- 15 **Cars without CD player/CD changer in the dashboard:** Remove the cover.
- 16 Remove the radio main unit by pressing in the 2 catches.
- 17 Remove the connector from the CD player/CD changer (if fitted) and the main unit.

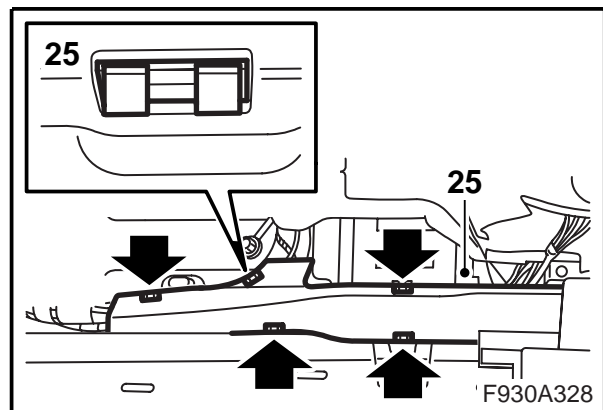
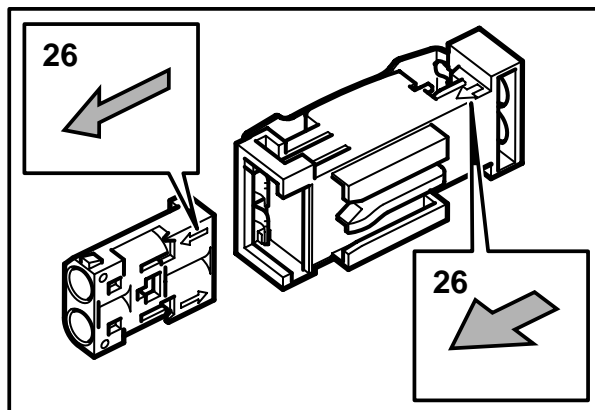
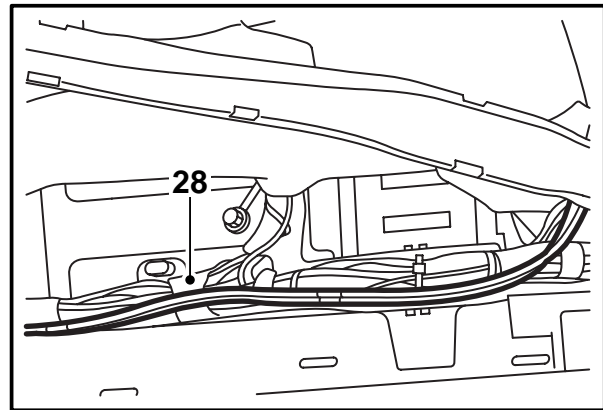
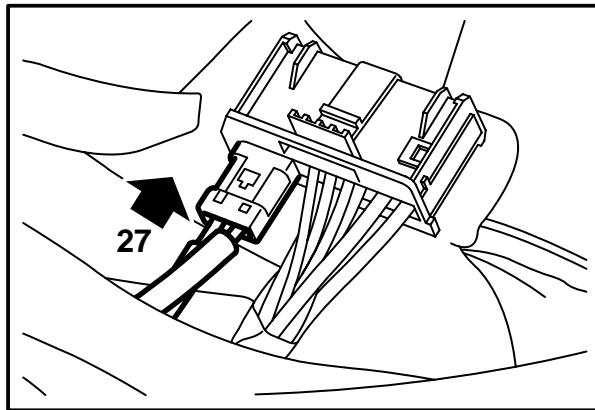
⚠ WARNING

The visible red light is a class 1 laser. Do not look directly into the optical fibre or the control module connector at close range. A distance of less than 20 mm between your eyes and the light source may cause eye injury.



F930A072

- 18 Position the left-hand front seat in its most forward position and fold the backrest forwards.
- 19 Remove the two rear retaining screws from the seat.
- 20 Angle the seat forwards.
- 21 Pull the seat back so that the fitting hooks loosen from their positions. Fold the whole seat backwards.
- 22 Remove the front scuff plate on the left-hand side of the car.
- 23 Remove the lower section of the A-pillar trim on the left-hand side.
- 24 Fold the carpet aside.

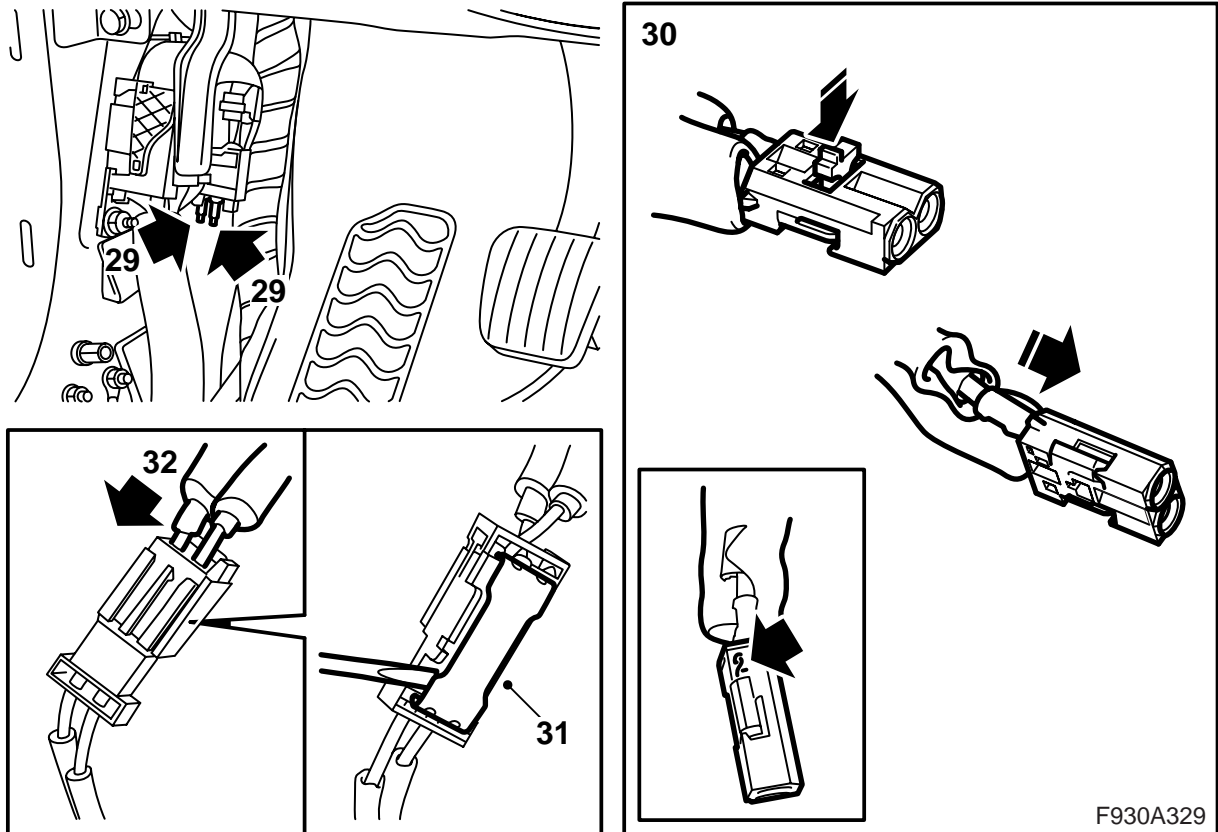


- 25 Remove the cover for the cable duct starting from the front.
- 26 Take the two fibre optic cables and one each of the two types of connector from the kit. Remove the protective cover from the fibre optic cables. Fit one end of both fibre optic cables in the kit's connector, and fit the other end of both fibre optic cables in the kit's cable connector. Ensure that the fibre optic cables are fitted in the correct position by following the direction arrows on both types of connector.
- 27 Fit the small connector with the fibre optic cables in the amplifier's large connector.
- 28 Position the kit's fibre optic cables in the cable duct and between the sill and the wiring harness by the A-pillar. Remove the sound insulation located under the panel. Pull the fibre optic cable forward to the A-pillar. Lay the fibre optic cables between the body and the wiring harnesses.

Important

Handle the fibre optic cables with care or the signal may be distorted.

- It is very important that the two leads in the connector are not confused with one another.
- Do not splice the cables.
- Do not bend the cable in a radius smaller than 25 mm.
- Do not expose the cable to temperatures exceeding 85 °C.
- Keep the cable ends free from dirt and grime.
- Do not expose the cable to impact as this may cause the transparent plastic to whiten, thereby reducing the intensity of the light and causing possible communication interruptions.
- The cable should not lie against any sharp edges as this may cause increased signal reduction.



29 Locate the two fibre optic cables at the A-pillar, one fibre optic cable is marked in blue, and the other in green.

If there is no colour marking: Search behind the infotainment system control panel for the fibre optic cable which is not connected, remove the protective cover from the fibre optic cable connection and shine a light onto the connection. Locate the other end by the A-pillar. Mark with a piece of tape. Fit the protective cover onto the fibre optic cable behind the control panel.

30 Fit the green-marked fibre optic cable in position 1 in the small connector in the kit and the blue-marked fibre optic cable in position 2.

Important

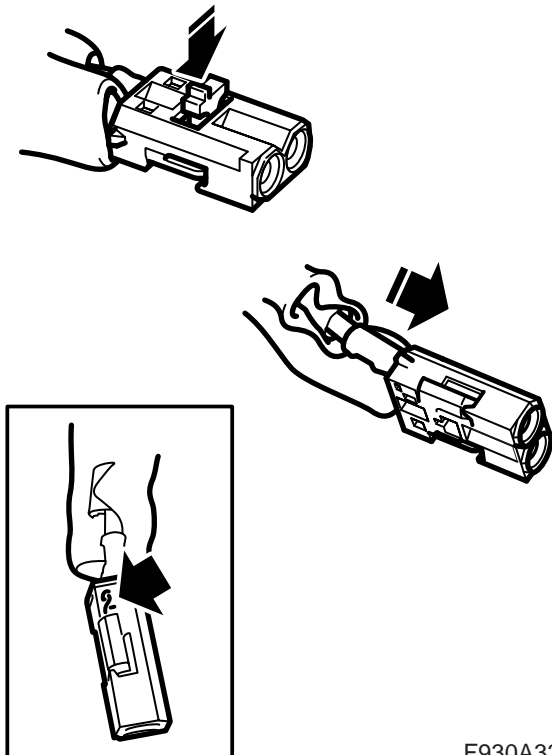
For cars without colour marked fibre optic cables the cable previously marked with tape must be fitted in position 1 and the other unmarked connection must be fitted in position 2.

Fit the lock.

31 Lift up the lock tab on the cable connector on the kit's fibre optic cable.

32 Fit the small connector into the cable connector and press the lock tab together.

30

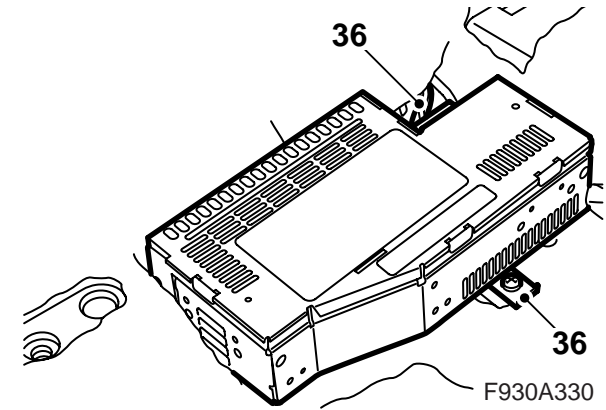
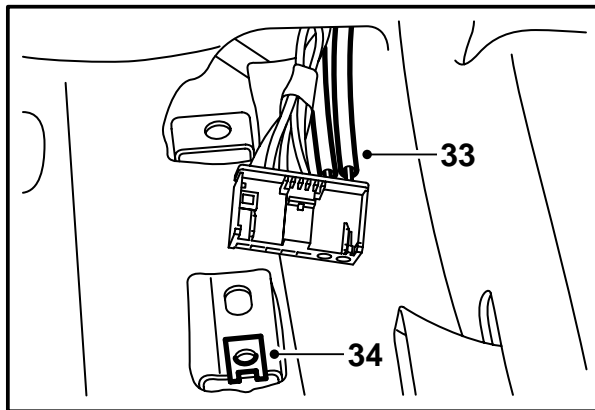
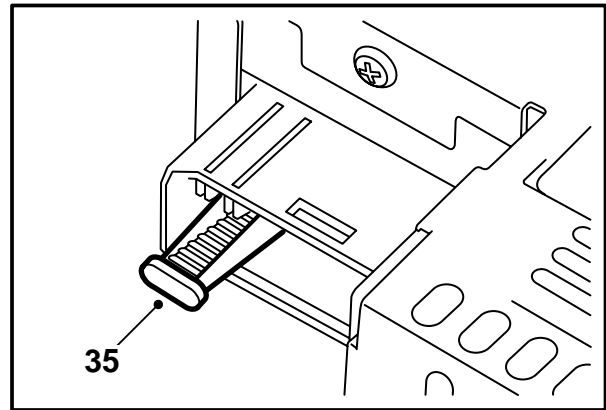
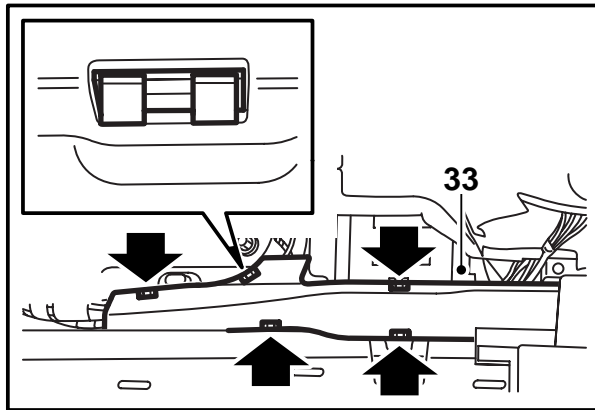


F930A329

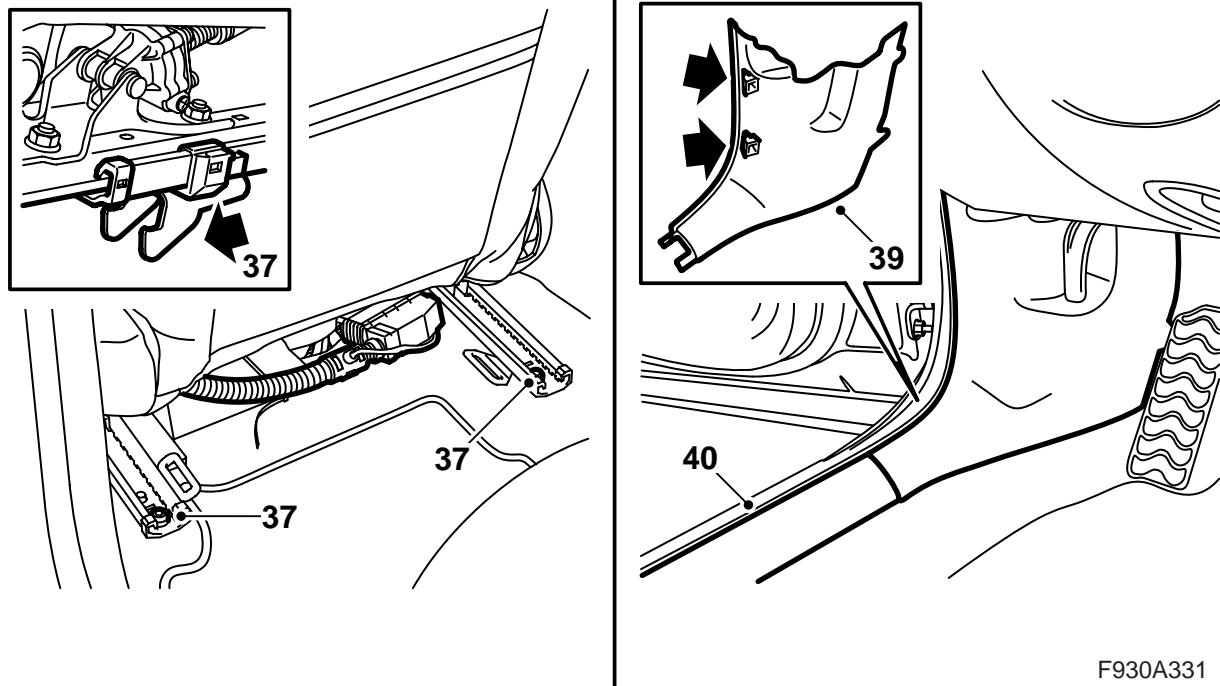
Important

Handle the fibre optic cables with care or the signal may be distorted.

- It is very important that the two leads in the connector are not confused with one another.
- Do not splice the cables.
- Do not bend the cable in a radius smaller than 25 mm.
- Do not expose the cable to temperatures exceeding 85°C.
- Keep the cable ends free from dirt and grime.
- Do not expose the cable to impact as this may cause the transparent plastic to whiten, thereby reducing the intensity of the light and causing possible communication interruptions.
- The cable should not lie against any sharp edges as this may cause increased signal reduction.



- 33 Fit the cover to the cable duct, draw back the carpet and guide out the connector and the cables through the hole in the carpet.
- 34 Fit the clip nut to the amplifier bracket on the floor.
- 35 Remove the protective cover over the fibre optic cable connection on the amplifier.
- 36 Connect and fit the amplifier.



F930A331

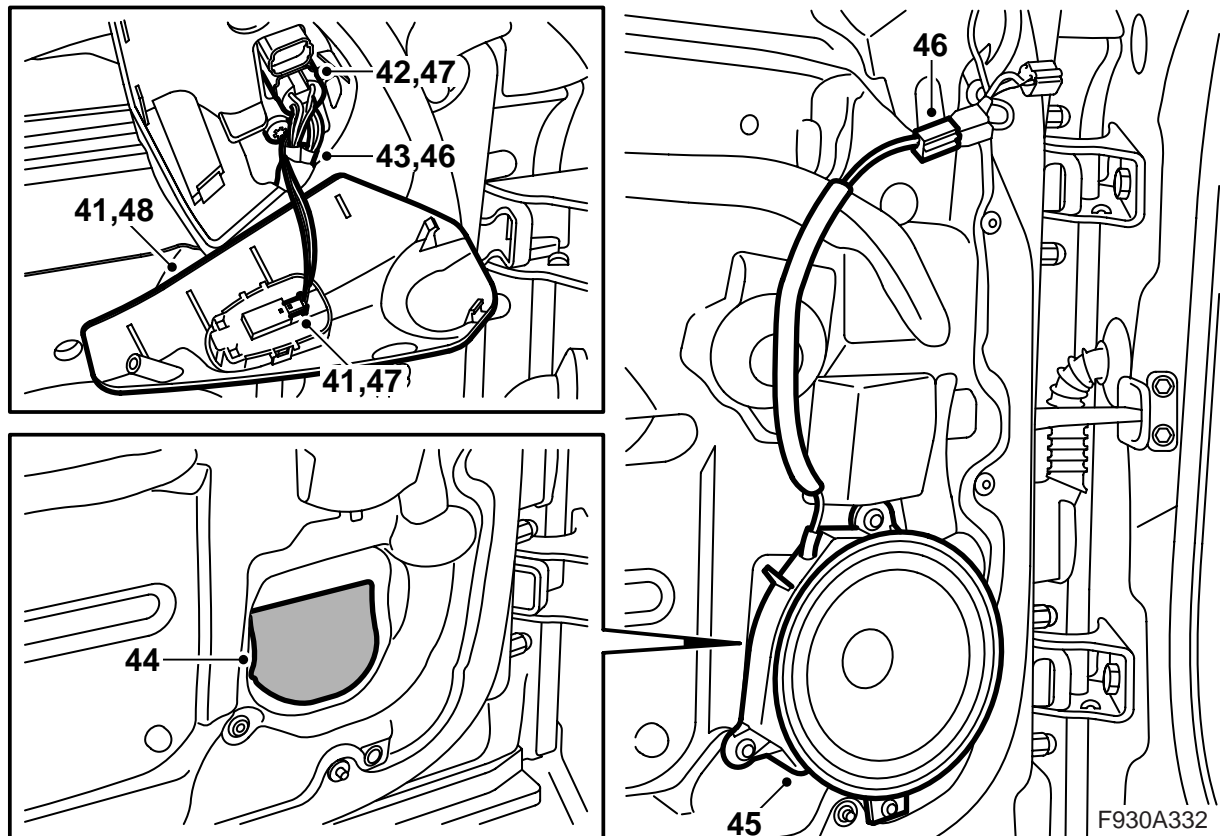
37 Set the seat in its correct position, be careful that the fitting hooks locate themselves correctly into their brackets, and fit the rear retaining screws.

Tightening torque 30 Nm (22 lbf ft)

38 Push the seat backwards and reset the position of the back rest.

39 Fit the A-pillar trim.

40 Fit the scuff plate.



41 Remove the plastic cover by the front left-hand door mirror.

Driver's door: Remove the connector for the switch.

42 Remove the door mirror connector.

43 Guide the wiring harness downwards.

44 Tear out the marked section of the water barrier.

45 Fit the speaker.

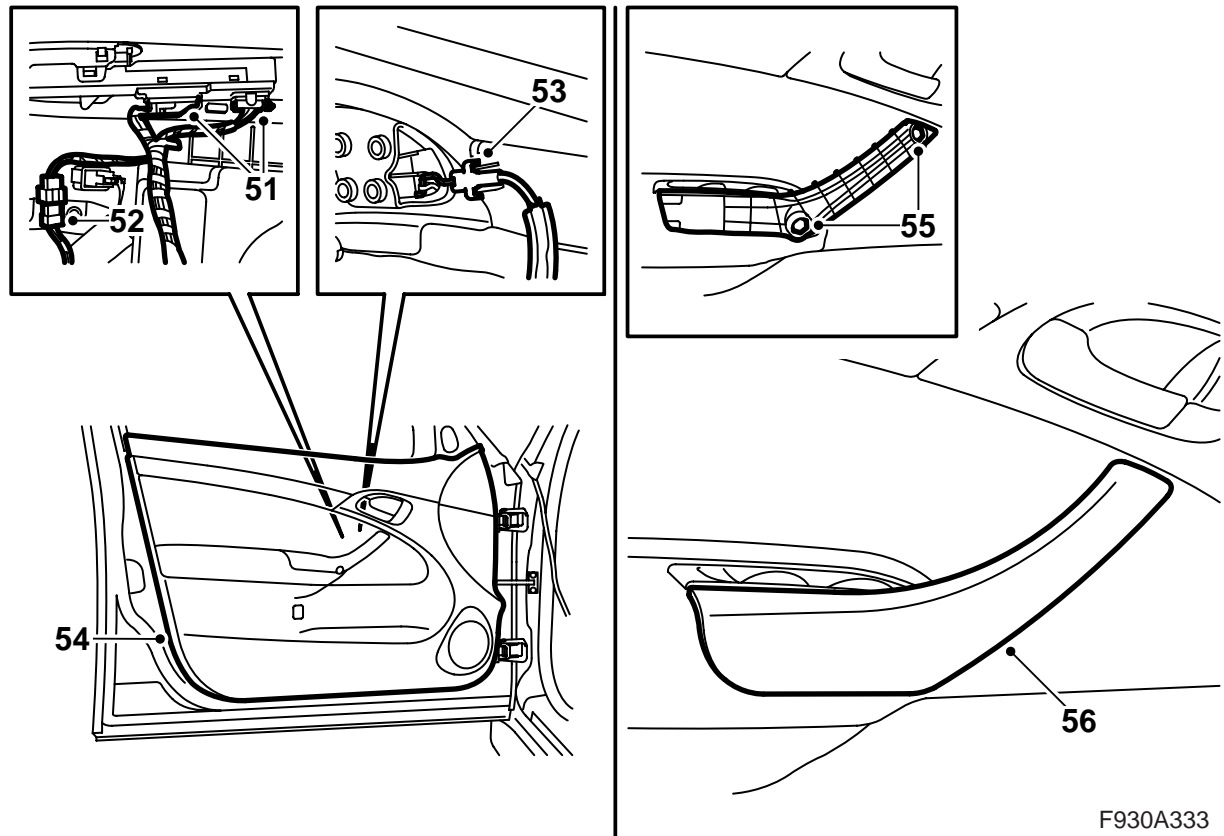
46 Connect the speaker's wiring harness and guide the wiring harness up towards the door mirror.

47 Connect the door mirror.

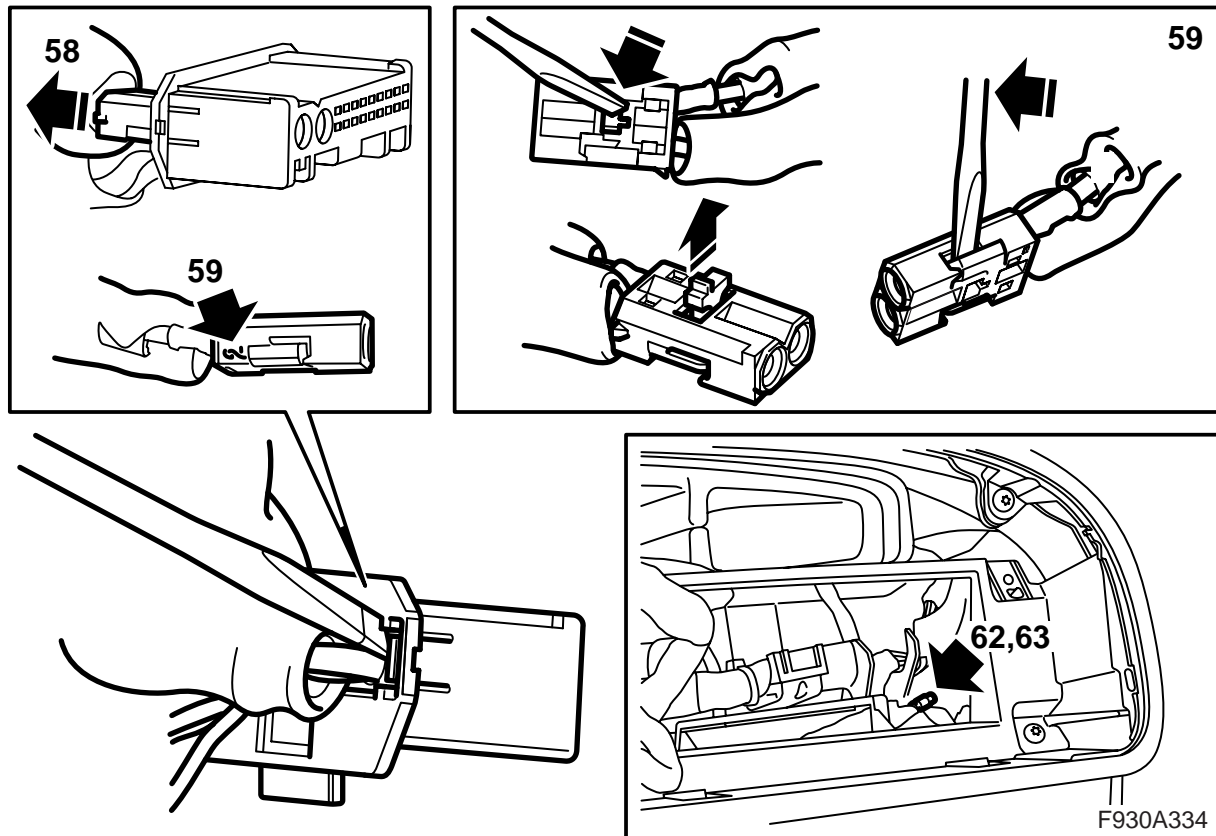
Driver's door: Connect the door mirror switch connector.

48 Fit the plastic cover by the door mirror.

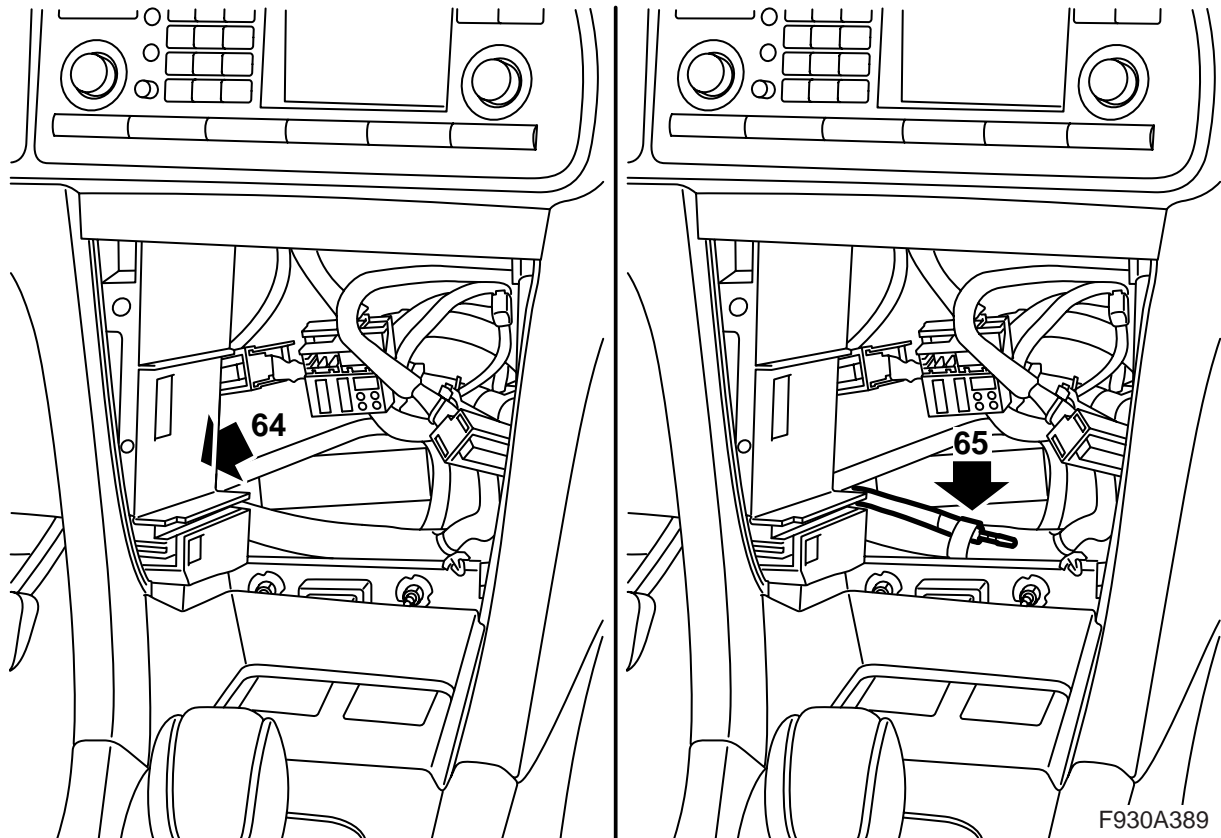
49 Repeat steps 41-48 on the right-hand side of the car.



- 50 Check that the door trim clips are properly placed and intact. Replace damaged clips.
- 51 **Driver's door:** Connect the switch wiring harness.
- 52 Plug in the door trim and window lift connectors.
- 53 Fit the opening handle cable.
- 54 Take down the upper door trim section between the window and the door shell. Make sure the clips are facing in the proper direction and press the door trim into place.
- 55 Fit the screws to the handle.
- 56 Fit the cover on the inner handle.
- 57 Repeat points 50-56 for the other front door.

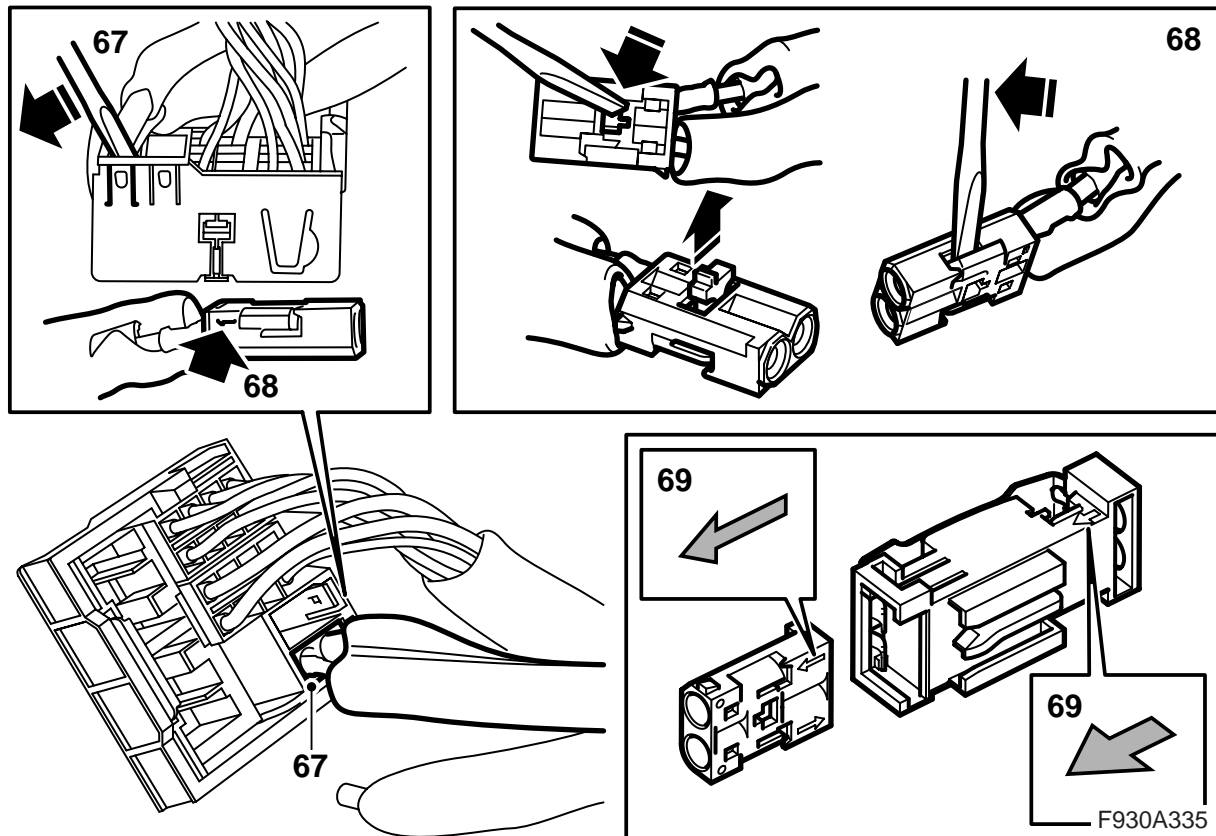


- 58 Remove the fibre optic cables' connector (the small connector) from the control panel's connector.
- 59 Remove the fibre optic cable connected to position 2 by opening the connector locking clip and carefully lifting the hook. Fit the protective cover onto the removed fibre optic cable connection and carefully move the fibre optic cable aside in order to prevent damage.
- 60 Take the fibre optic cable kit and remove the blue-marked fibre optic cable from the cable kit's connector. Fit the blue-marked fibre optic cable in position 2 for the connector specified in step 59.
- 61 Remove the protective cover and fit the other end of the fibre optic cable to the cable connector, ensure that the direction arrows on both types of connector are pointed in the same direction, see arrow on the connector in position 2.
- 62 **LHD, VIN - 31026789:** Locate the blue-marked fibre optic cable that branches from the wiring harness behind the control panel. Fit one of the kit connectors to the fibre optic cable in position 2. Fit the connector into the cable connector and press in the cable connector locking clip. Fasten the connection properly to avoid rattling or squeaking noises.
- 63 **RHD:** Locate the blue-marked fibre optic cable that branches from the wiring harness behind the control panel. Fit one of the kit connectors to the fibre optic cable in position 2. Fit the connector into the cable connector and press in the cable connector locking clip. Fasten the connection properly to avoid rattling or squeaking noises.



F930A389

- 64 **LHD, VIN 31026790 - 41036576:** Locate the blue-marked fibre optic cable that branches from the wiring harness behind the radio. The fibre optic cable is fastened with tape against the wiring harness branching towards the gear lever. Unfasten the end of the fibre optic cable from the tape. Fit one of the kit connectors to the fibre optic cable in position 2. Fit the connector into the cable connector and press in the cable connector locking clip. Fasten the connection properly to avoid rattling or squeaking noises.
- 65 **LHD, VIN 41036577 - :** Locate the blue-marked fibre optic cable that branches from the wiring harness behind the radio. Detach the fibre optic cable fastener. Fit one of the kit connectors to the fibre optic cable in position 2. Fit the connector into the cable connector and press in the cable connector locking clip. Fasten the connection properly to avoid rattling or squeaking noises.
- 66 Fit the small connector in the control panel's connector.



67 Remove the fibre optic cable connector (the small connector) from the connector for the radio main unit. Note the position of the small connector.

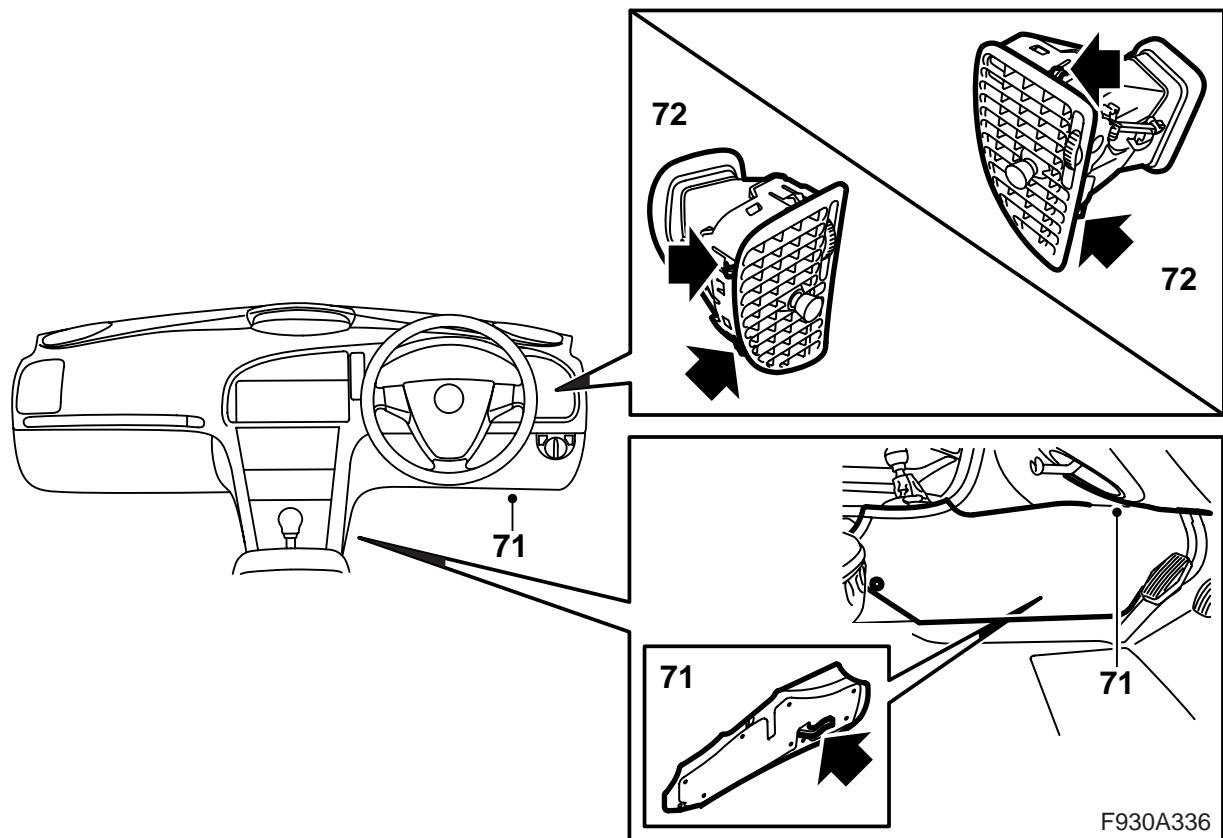
68 **LHD:** Remove the fibre optic cable which is connected to position 1 by opening the connector locking clip and carefully lifting the hook.

69 **LHD:** Take the green-marked fibre optic cable from the fibre optic cable kit and remove the fibre optic cable from the connector. Fit the kit's cable connector to one end of the green-marked fibre optic cable. Ensure that the fibre optic cables are fitted in the correct position by following the direction arrows on both types of connector.

70 Locate the green-marked fibre optic cable that is taped to the wiring harness in the centre console on the left-hand side and level with the gear selector. Fit the green-marked fibre optic cable in one of the kit connectors. Connect the kit's green-marked fibre optic cable to the green-marked fibre optic cable in the harness. Press the cable connector locking tabs together. Fasten the connection properly to avoid rattling or squeaking noises. Allow the cable to bend slightly as it is pulled up into the centre console.

LHD: Continue with step 80.

RHD: Continue with step 71.

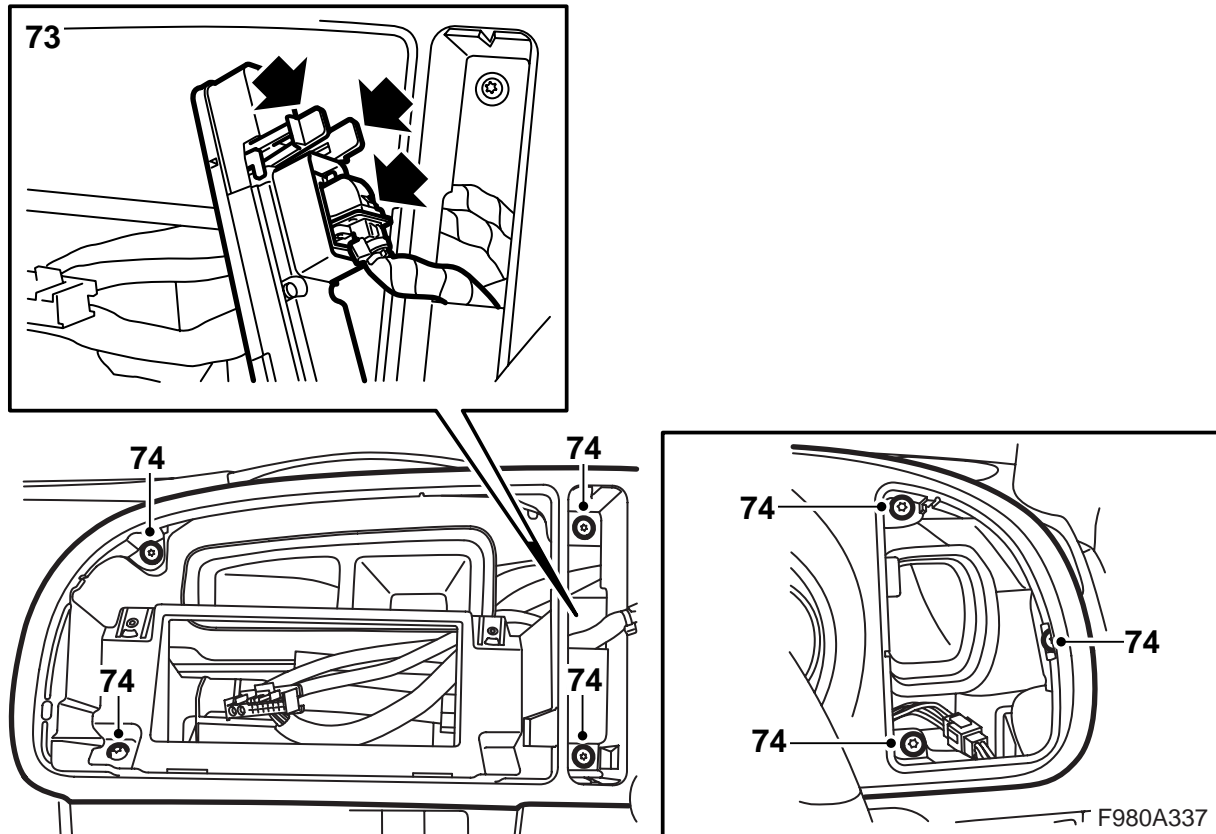


71 **RHD:** Remove the right-hand front side panel on the centre console and the sound insulation panel on the right-hand side.

72 **RHD:** Remove the right-hand air vent in the dashboard by carefully bending in the hooks which are accessible through the grille.

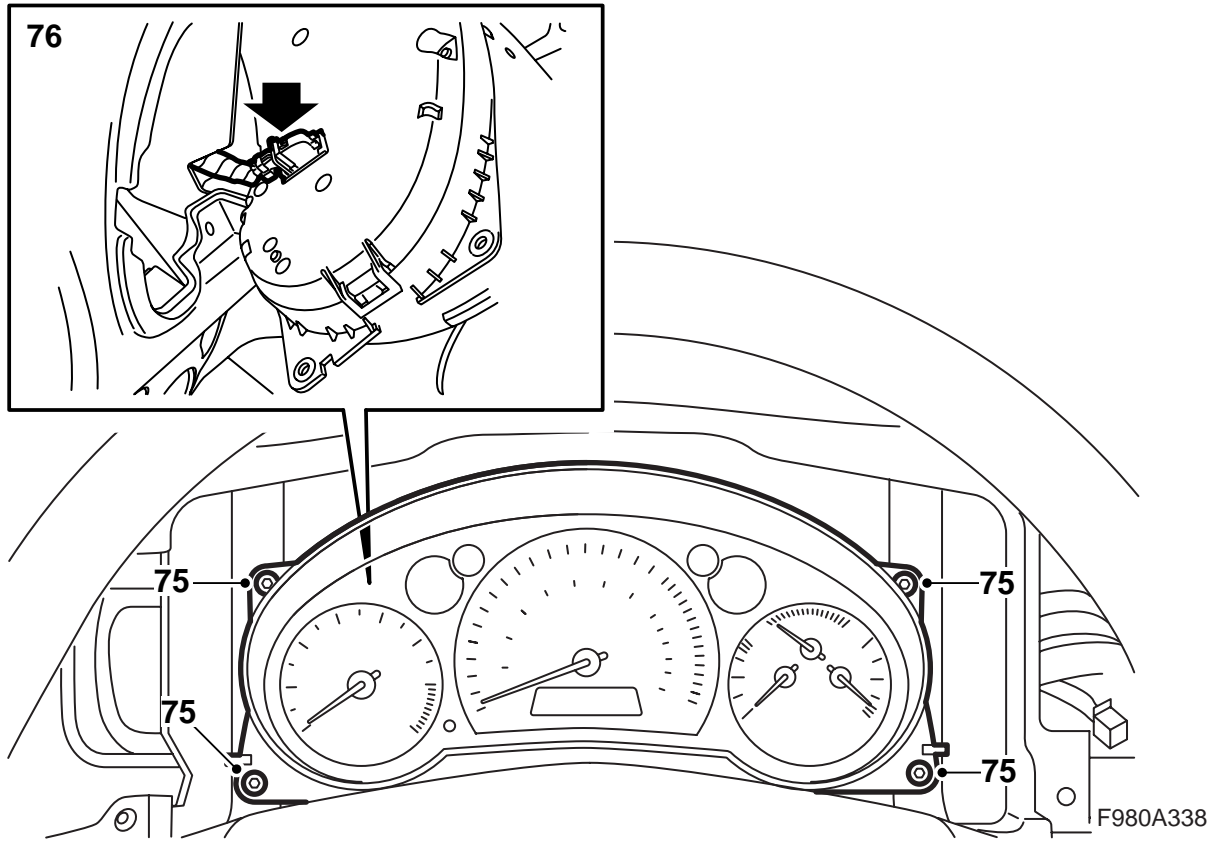
Important

Take care to bend the correct hooks. Hooks holding together the air outlet are also visible behind the grille.



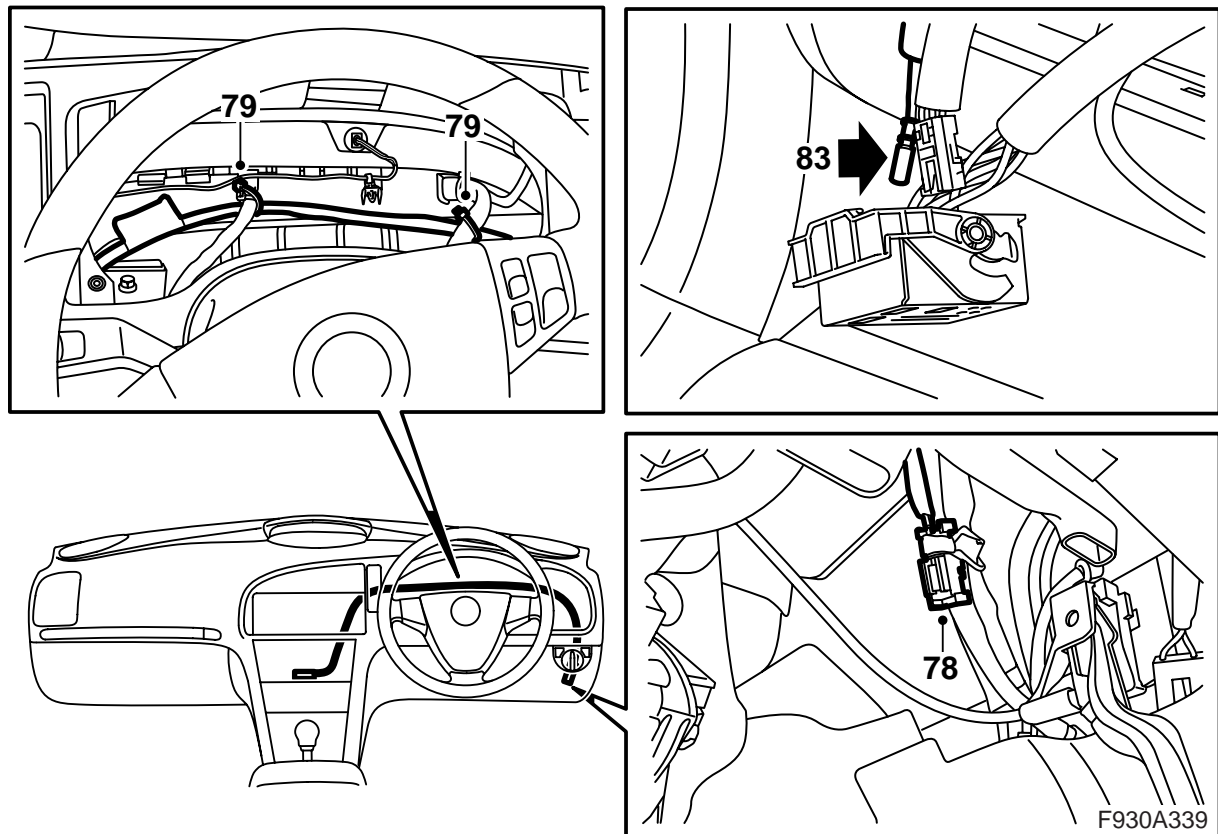
73 RHD: Remove the SID unit control panel by pressing together the two tabs on its rear and then pressing the control panel out forwards, starting at its top edge.

74 RHD: Remove the instrument plate.



75 **RHD:** Remove the main instrument unit (4 screws).

76 **RHD:** Remove the main instrument unit connector.



77 **RHD:** Take the green-marked fibre optic cable from the fibre optic cable kit and fit one of the kit's cable connectors to one end of the fibre optic cable.

78 **RHD:** Locate the green-marked fibre optic cable which is in the vicinity of the right-hand A-pillar. Fit one of the kit's connectors to the green-marked fibre optic cable. Ensure that the fibre optic cables are fitted in the correct position by following the direction arrows on both types of connector.

79 **RHD:** Connect the kit's green-marked fibre optic cable to the green-marked fibre optic cable in the harness. Pull the fibre optic cable along the cable duct behind the main instrument unit. Fasten the fibre optic cable with cable ties. Fasten the connection properly to avoid rattling or squeaking noises. Allow the cable to bend slightly as it is pulled down towards the centre console.

80 Remove the protective cover from the connection on the fibre optic cable which was not connected.

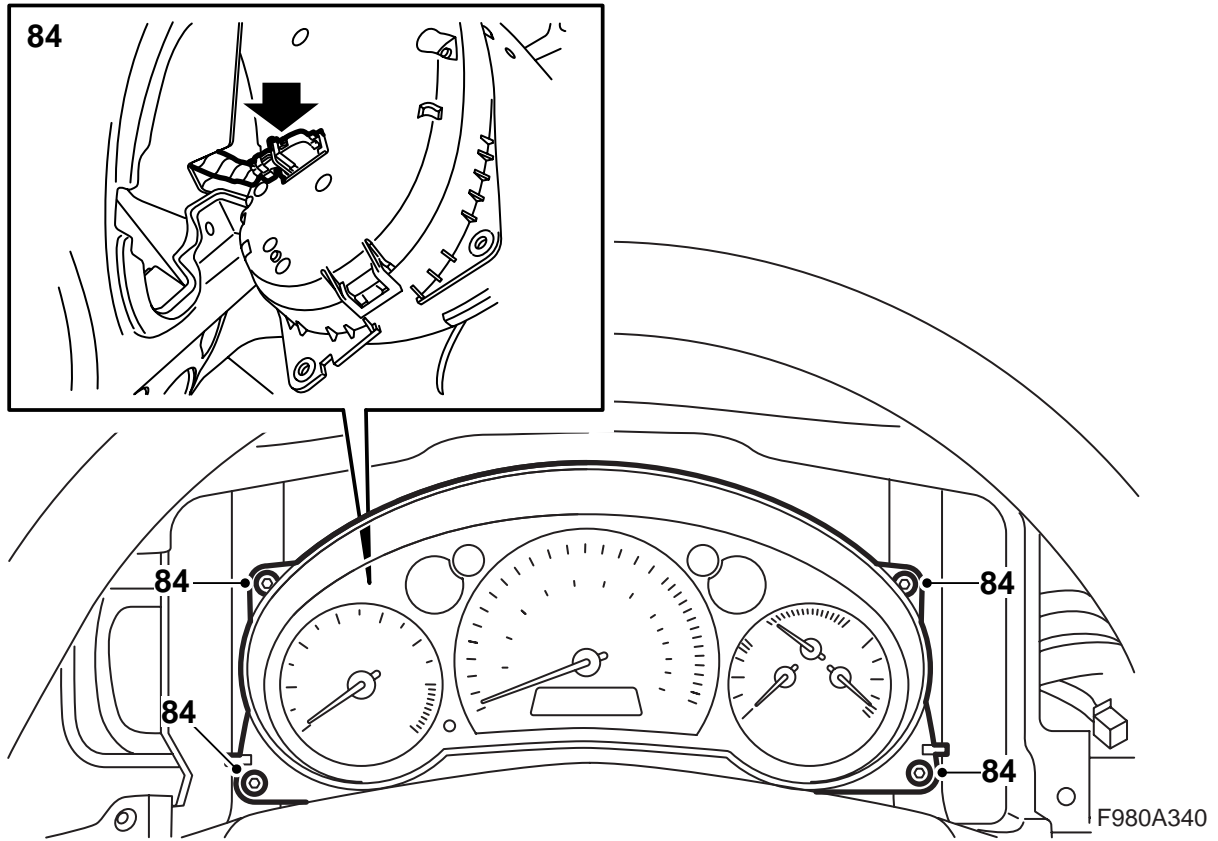
81 Fit the protective cover onto the removed fibre optic cable connection and carefully move the fibre optic cable aside in order to prevent damage, and position it behind the wiring harness.

82 Fit the green-marked fibre optic cable behind the control panel to position 1 in the small connector.

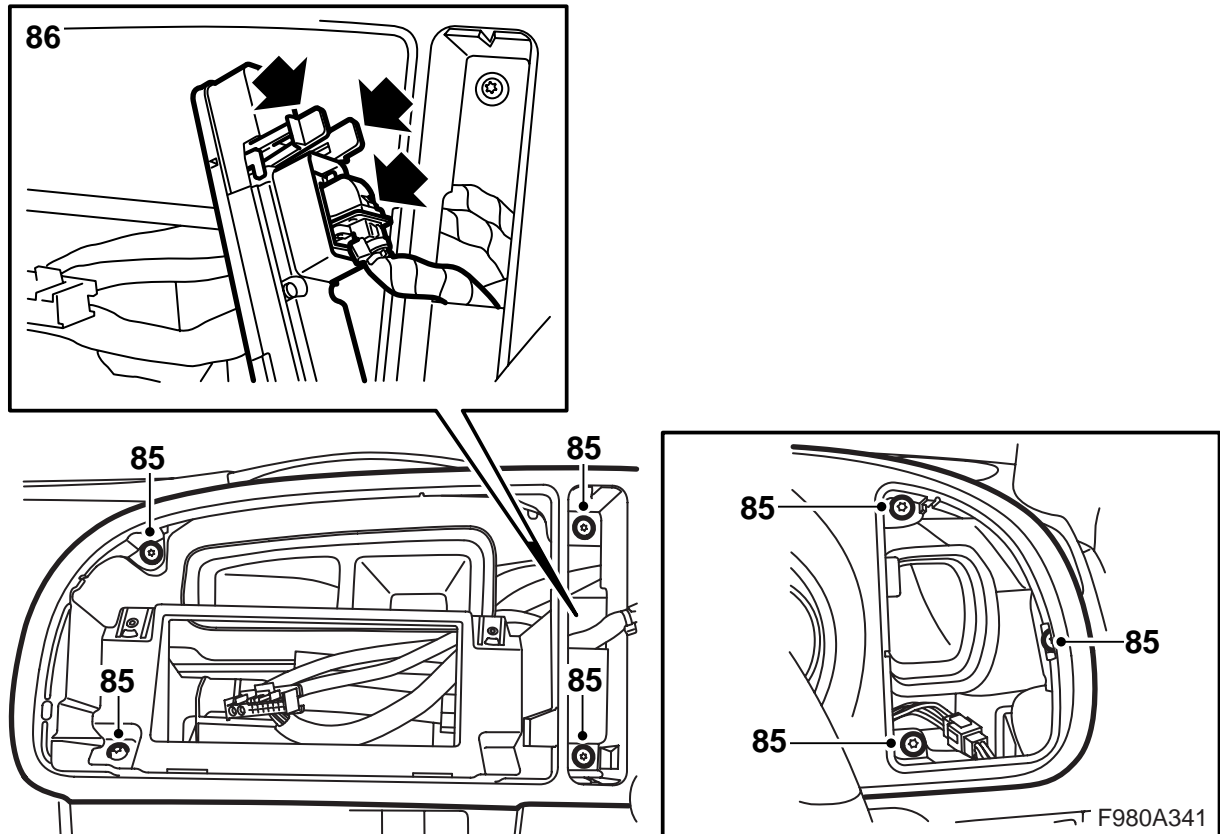
83 Fit the small connector to the large connector.

LHD: Continue with step 89.

RHD: Continue with step 84.

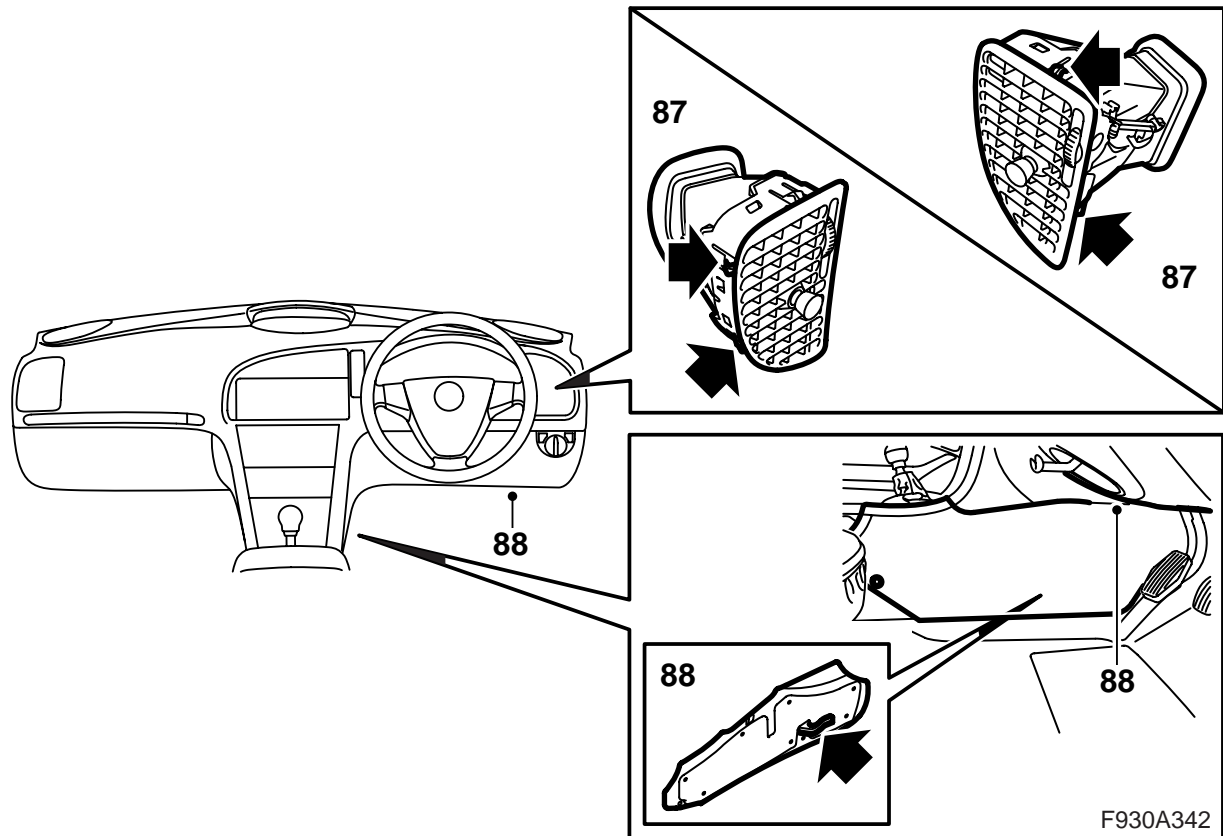


84 RHD: Connect the main instrument unit and fit it.



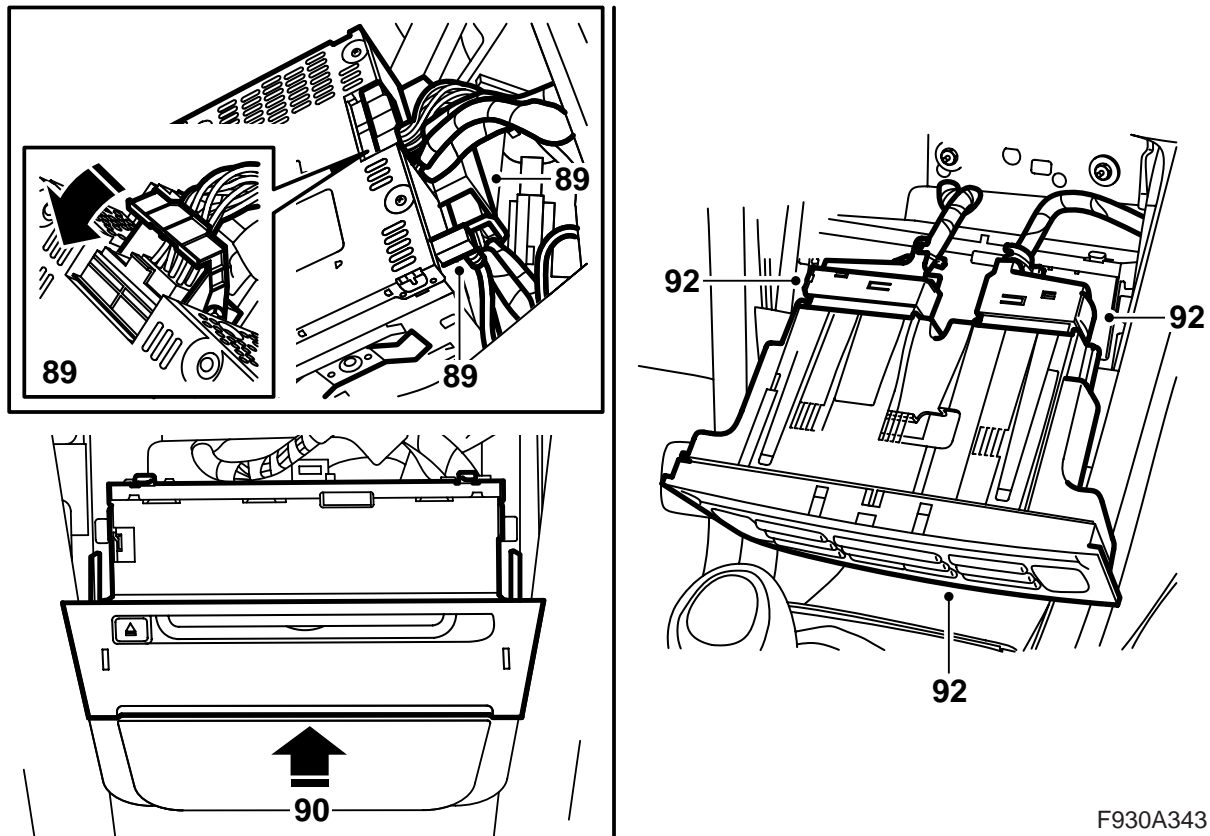
85 **RHD:** Fit the instrument plate.

86 **RHD:** Connect the SID unit control panel and fit it by positioning the hook in its lower edge and then pressing to secure it in its upper edge.



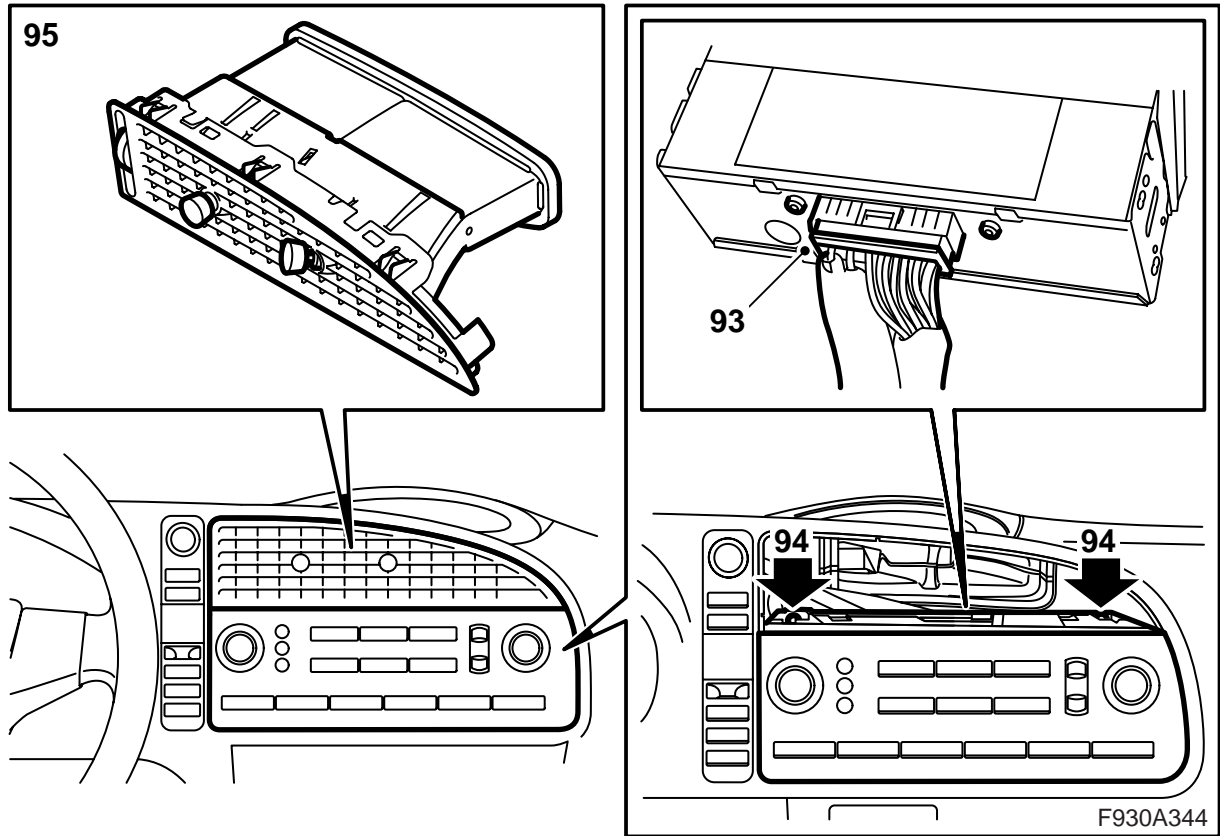
87 **RHD:** Position and fit the right-hand air vent.

88 **RHD:** Fit the right-hand front side panel on the centre console and the sound insulation panel on the right-hand side.



F930A343

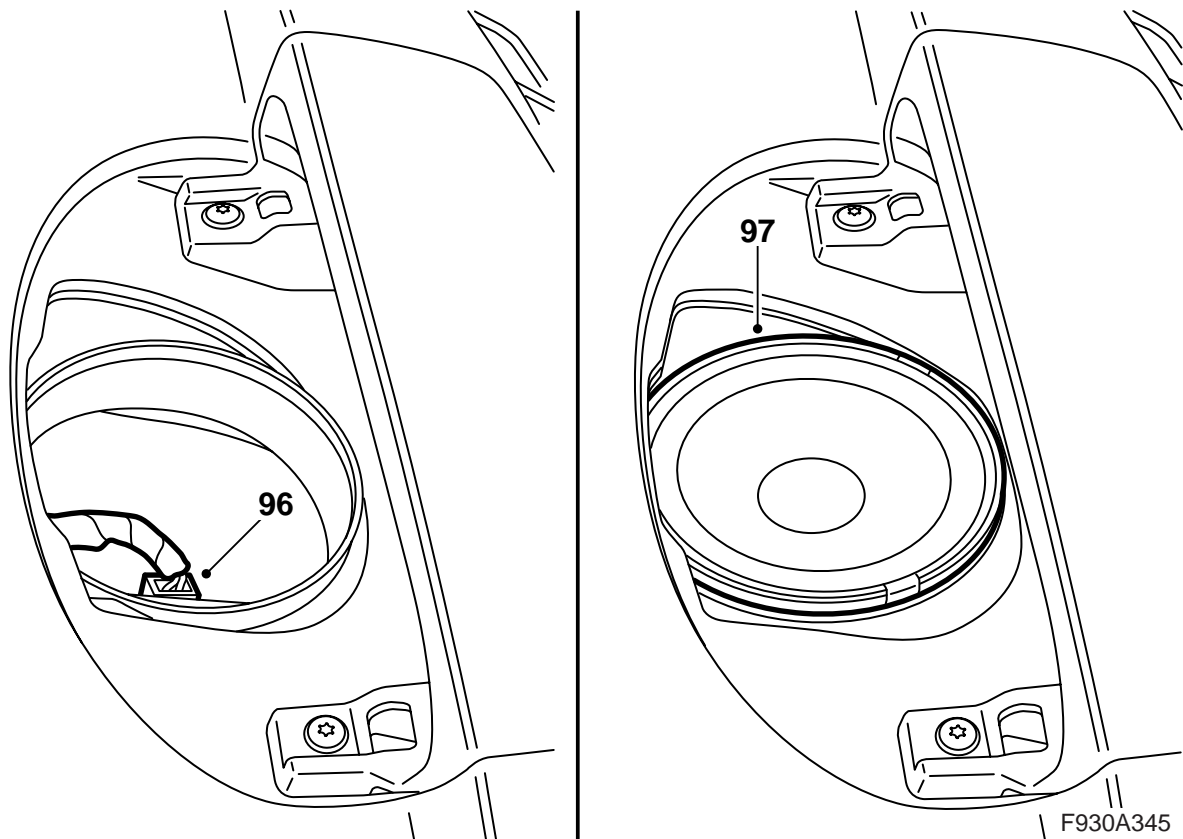
- 89 Plug in the connectors to the CD player/CD changer (if fitted) and the radio main unit.
- 90 Fit the radio main unit. A clicking sound should be heard.
- 91 **Cars without CD player/CD changer in the dashboard:** Fit the cover.
- 92 Connect and fit the climate control system control unit.



93 Connect the connector to the infotainment system control panel.

94 Fit the control panel.

95 Position and fit the centre air vent.



- 96 Locate the wiring harness for the midrange speaker.
- 97 Connect and fit the midrange speaker.
- 98 Fit the speaker grille.
- 99 Connect the diagnostic tool, select car and model year, select "All", select "Add/Remove", select the accessory and then "Add".

Note

The diagnostic tool will on some occasions need to retrieve a security code in TIS. Information on what to do will be displayed on the diagnostic tool display.

- 100 Cars with pinch protection for window lifts:**
 Programming pinch protection for window lifts.
 Select "All - Service - Program Anti Pinch" in Tech2.

WARNING

All windows that are not programmed will move between end positions several times.
 Make sure that no pinch injuries occur. Pinch protection is disconnected during programming.

- 101 Check that the system is working.