

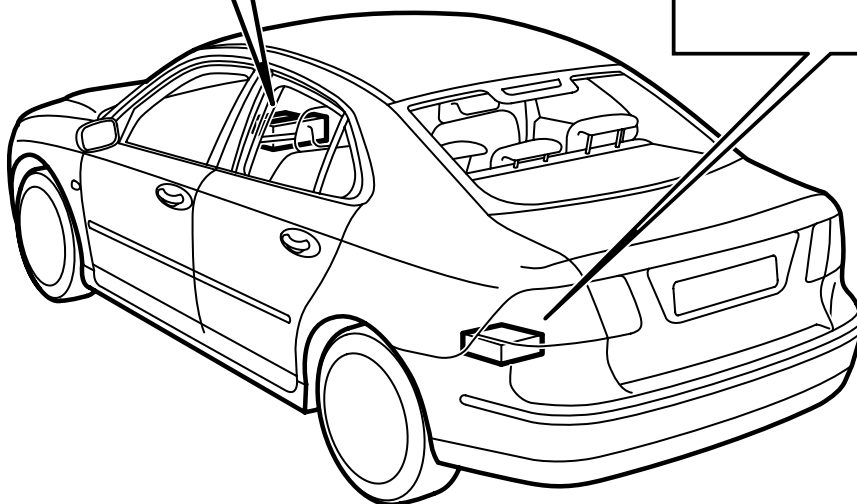
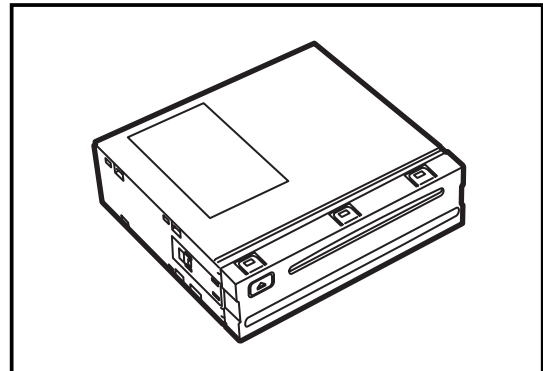
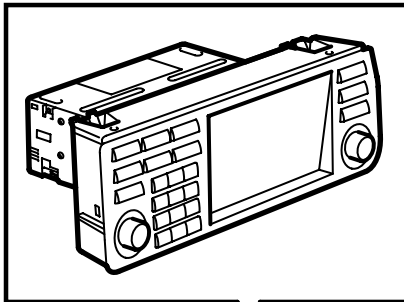


**MONTERINGSANVISNING · INSTALLATION INSTRUCTIONS
MONTAGEANLEITUNG · INSTRUCTIONS DE MONTAGE**

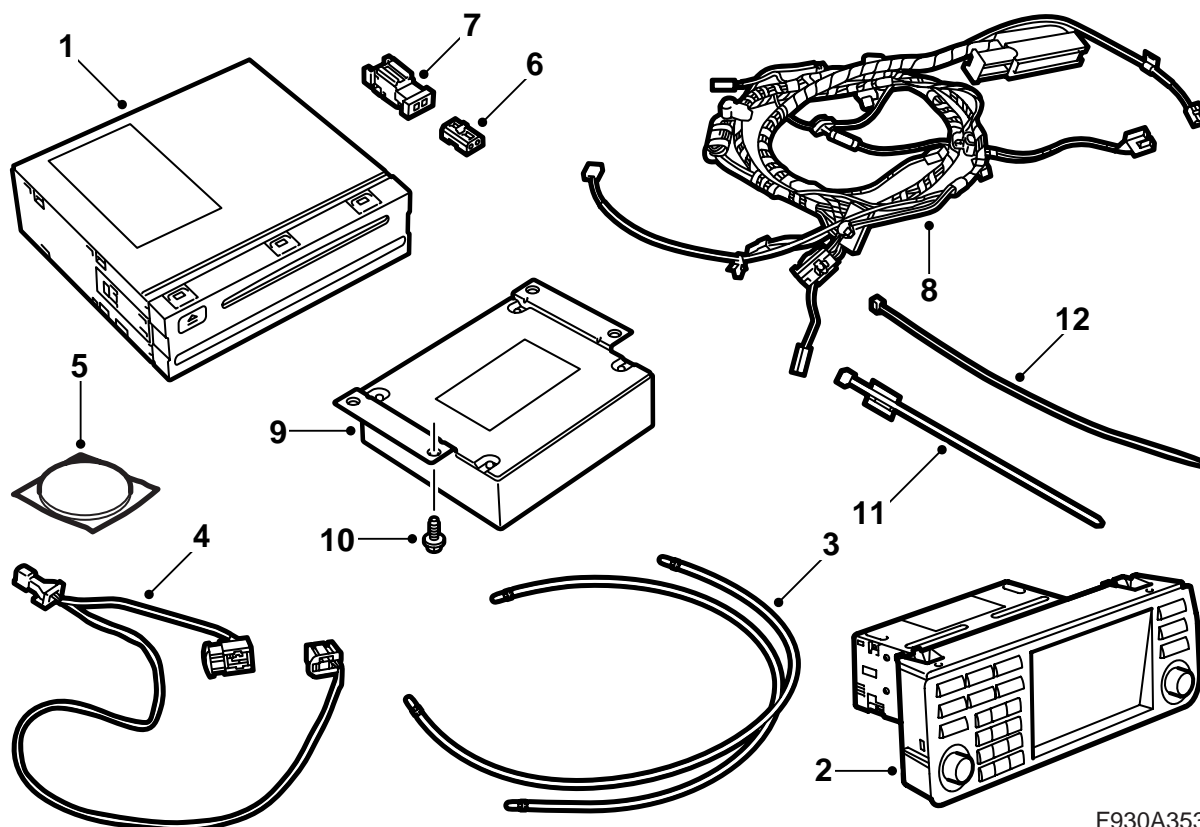
Saab 9-3 4D M03-

Navigation system

Accessories Part No.	Group	Date	Instruction Part No.	Replaces
12 787 151				
12 788 472				
12 801 752				
12 801 753				
12 804 985				
12 804 986				
12 804 987				
12 804 988				
32 000 001				
32 000 002				
32 000 003				
32 000 004	9:51-02	Jan 04	12 801 443	12 801 443 Jan 03

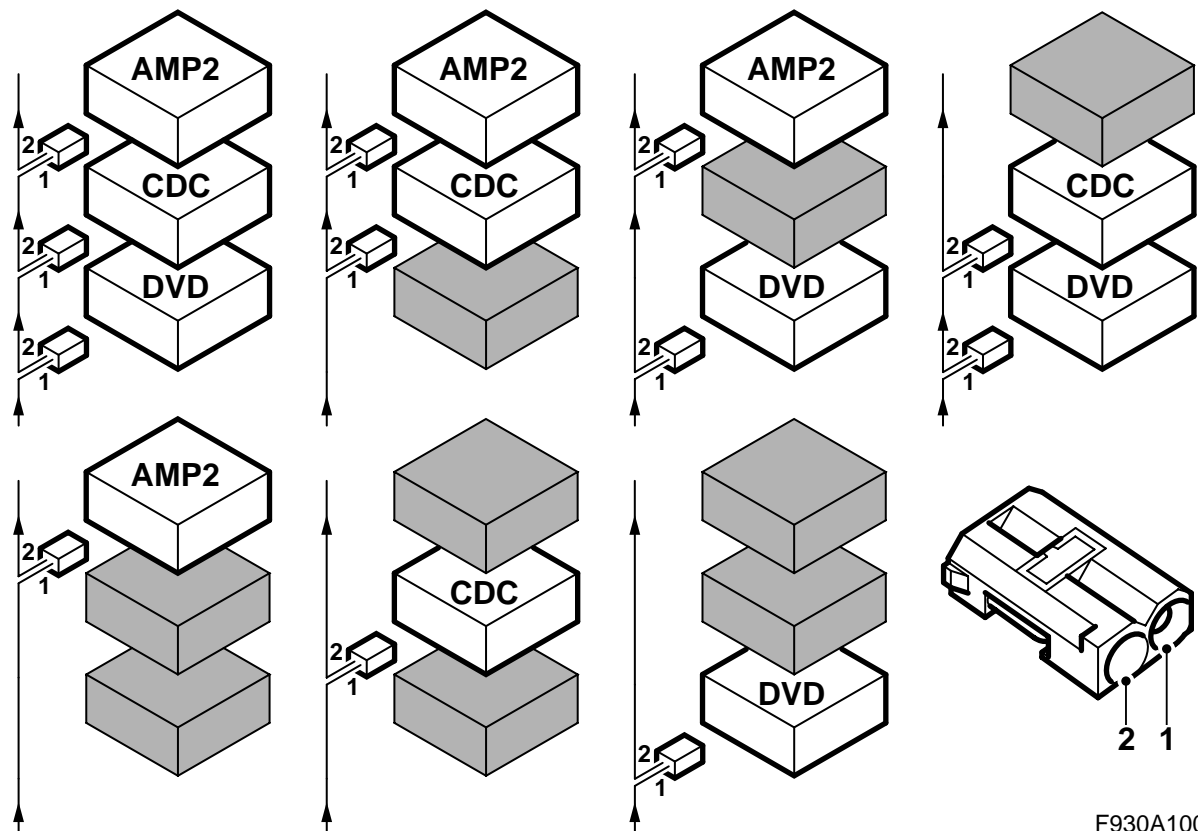


F930A120



F930A353

- 1 DVD player
- 2 Control panel
- 3 Fibre optic cable
(x2 in kit 12 787 151, 12 788 472, 12 804 987, 12 804 988, 32 000 001 and 32 000 002)
(x1 in kit 12 801 752, 12 801 753, 12 804 985, 12 804 986, 32 000 003 and 32 000 004)
- 4 Wiring harness
- 5 Anti-rattle tape
(x1 in kit 12 787 151, 12 788 472, 32 000 003 and 32 000 004)
(x3 in kit 32 000 001 and 32 000 002)
- 6 Optical cable connector, 2-pin
(x 2 in kit 12 787 151 and 12 788 472)
(x1 in kit 12 801 752, 12 801 753, 12 804 985, 12 804 986, 12 804 987, 12 804 988, 32 000 001, 32 000 002, 32 000 003 and 32 000 004)
- 7 Optical cable connector, 2-pin
(x 3 in kit 12 787 151 and 12 788 472)
(x1 in kit 12 801 752, 12 801 753, 12 804 987, 12 804 988, 32 000 001 and 32 000 002)
- 8 Wiring harness
(only in kit 12 787 151, 12 788 472, 12 804 987, 12 804 988, 32 000 001 and 32 000 002)
- 9 Telematics unit
(only in kit 12 787 151, 12 788 472, 12 804 987, 12 804 988, 32 000 001 and 32 000 002)
- 10 Bolt (x4)
(only in kit 12 787 151, 12 788 472, 12 804 987, 12 804 988, 32 000 001 and 32 000 002)
- 11 Cable tie
- 12 Cable tie (x3)
- In addition, the following items are required (ordered separately)**
- Console for equipment in the luggage compartment (certain cars)
 - Optional antenna kit (certain cars)



F930A100

Bus Communication

Many parts of the car's electrical system communicate using a bus. There are three types of bus communication: P-bus (Powertrain Bus), I-bus (Instrument Bus) and O-bus (Optical bus). The audio system communicates via the O-bus together with the navigation system, the telephone system and others.

The O-bus is optical and is a ring bus. Two fibre optical cables are connected to each control module on the bus, one fibre optical cable for receiving and one for sending. Messages received are converted by each control module from a fibre optic signal to electrical and then converted back to optical for sending. The O-bus data transfer rate is 25 Mbit/s.

Important

It is very important that everything connected to the O-bus is connected in a specific order, see illustration, and that the ring is closed the whole time.

Connection in any other way than that described in these fitting instructions may result in several of the car's systems failing to work.

AMP1 is an amplifier below the left-hand front seat

AMP2 is an amplifier by the REC

CDC is a CD changer by the REC

DVD is a DVD player by the REC

When fitting new equipment to be connected to the O-bus it is important that it is connected into the correct side of the existing equipment.

Important

Handle the fibre optic cables with care or the signal may be distorted.

- It is very important that the two leads in the connector are not confused with one another.
- Do not splice the cables.
- Do not bend the cable in a radius smaller than 25 mm.
- Do not expose the cable to temperatures exceeding 85°C.
- Keep the cable ends free from dirt and grime.
- Do not expose the cable to impact as this may cause the transparent plastic to whiten, thereby reducing the intensity of the light and causing possible communication interruptions.
- The cable should not lie against any sharp edges as this may cause increased signal reduction.

Important

In cars where the left-hand front seat is electrically adjustable and there is no bracket at the REC, the left-hand front seat must be positioned in its most forward position and with the backrest folded forwards.

- 1 Connect the diagnostic tool and disconnect the infotainment system control panel from the car.

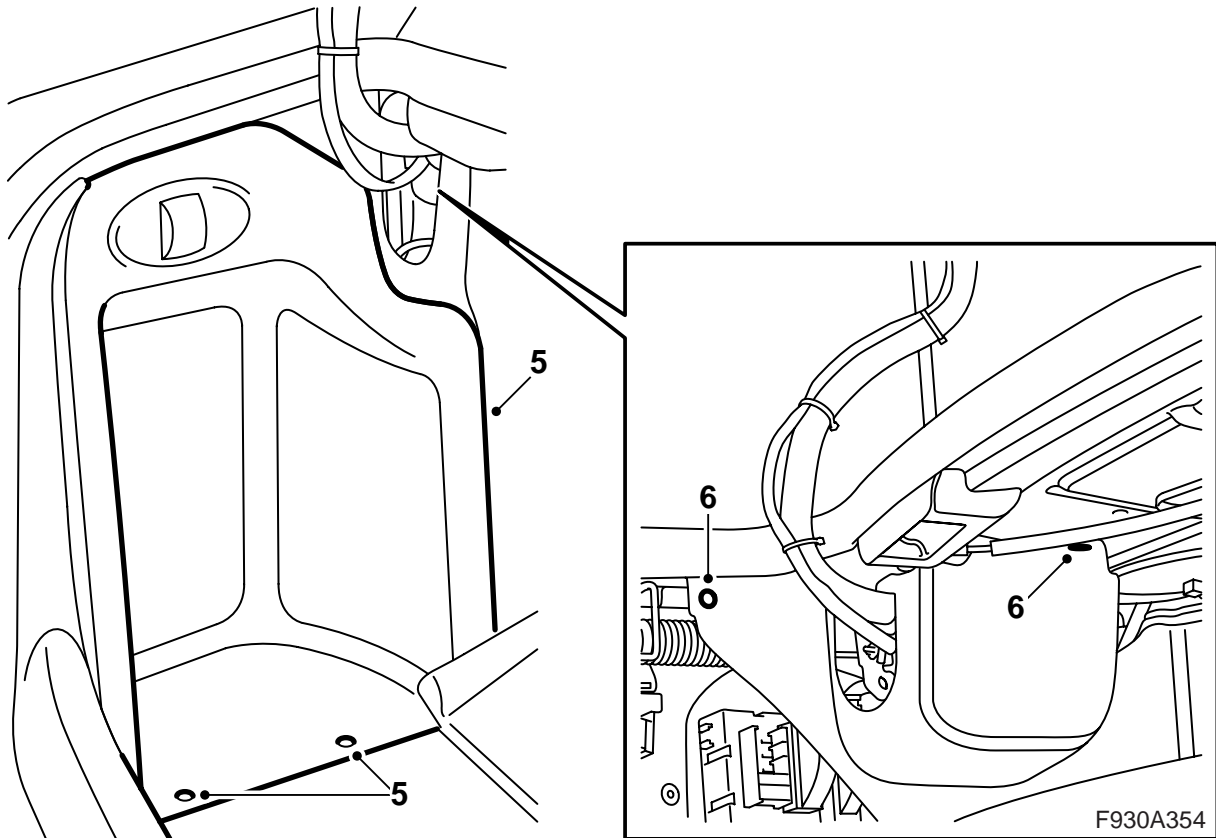
Important

The control module is sensitive to electrostatic discharges. To avoid damaging the internal components in the control module, a replacement must be made with care in the following way:

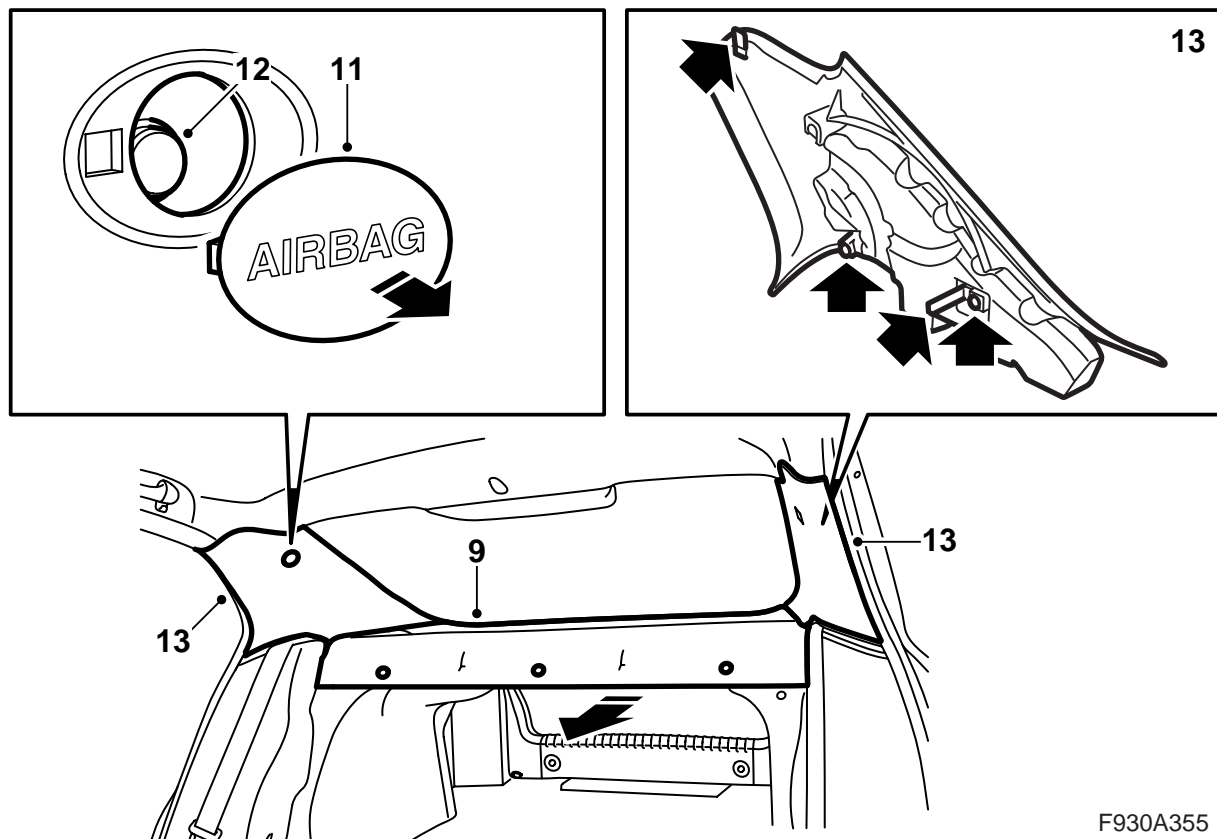
- Never touch the pins on a control module with hands or clothes.
- Ground yourself by touching the car's body/engine. Remove the connector on the car's control module.
- Ground yourself by touching the car's body/engine. Connect the connector on the car's control module.
- Deposit the replaced control module in the returns packaging without touching its pin.
- Keep the new control module in its packaging as long as possible.

Go into the menu "All" and choose the control module under "Add/Remove". Then choose "Remove" and follow the instructions. The ignition key must be in the ON position. TIS2000 may need to be used. When the control module is separated from the car the ignition key must be turned to the OFF position. Following which the control module can be removed.

- 2 Open the hatchback.
- 3 Remove the battery's minus cable and take the key from the ignition.



- 4 Fold the luggage compartment floor forwards.
- 5 Remove the panel in the left-hand luggage compartment side trim.
M03: Lower the panel on the right-hand side.
- 6 Remove the clips for the left-hand side trim and move the trim aside.
M03: Remove the clips for the right-hand side trim and move the trim aside.
- 7 Lower the rear seat backrest.



F930A355

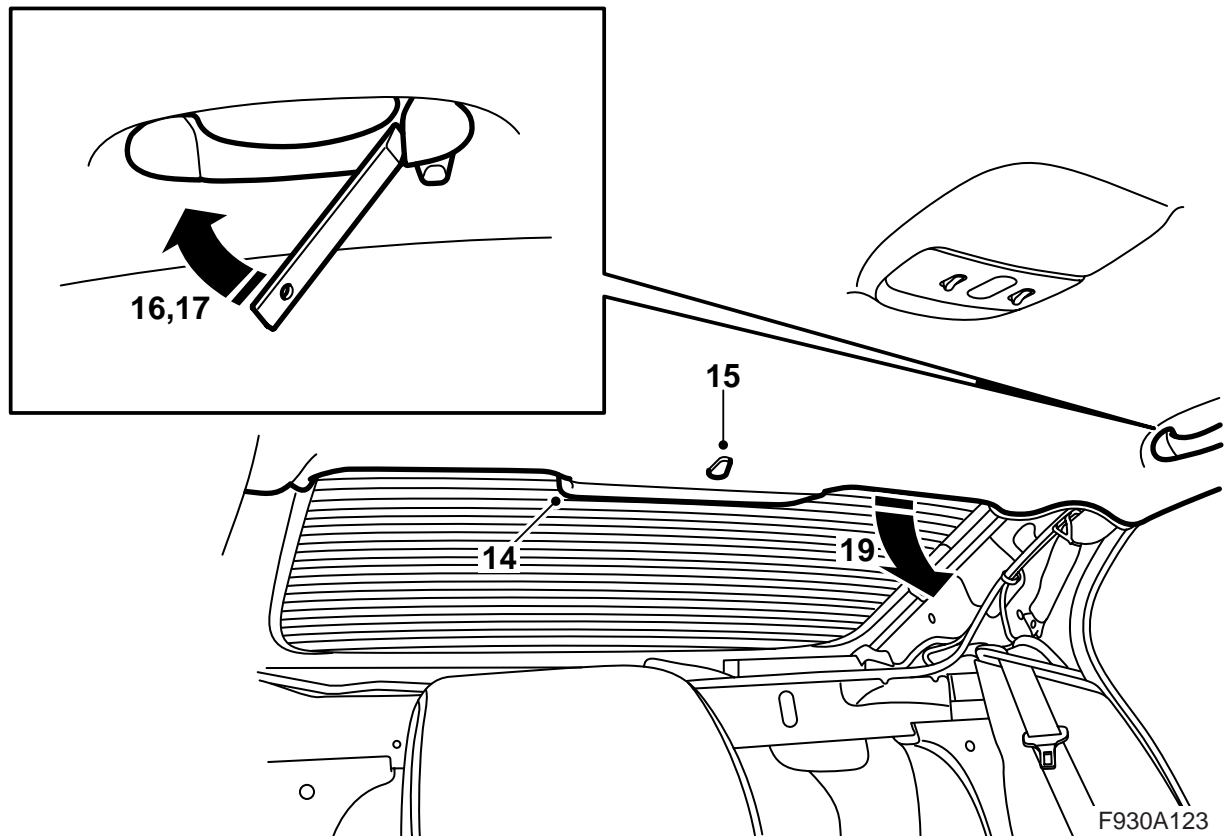
- 8 Detach the clips holding the parcel shelf trim.
- 9 Pull the parcel shelf trim straight out.
- 10 Check if there is an antenna cable connection at the hole in the centre of the parcel shelf and if there is an electronic unit fitted in the centre of the parcel shelf.
- No antenna cable connection:** Continue with step 11.
- Blue antenna cable connection present but no telematics unit:** Continue with step 29.
- Violet antenna cable connection present but no telematics unit:** Continue with step 11.
- Two antenna cable connections present but no telematics unit:** Continue with step 29.
- Violet antenna cable connection and telematics unit present, but no blue antenna cable connection:** Continue with step 11.
- The violet antenna cable connection is connected to the telematics unit. Blue antenna cable connection present, but not connected:** Continue with step 36.
- 11 Remove the cover plate from each respective C-pillar trim. Use 82 93 474 Removal tool.

- 12 Carefully remove the screw from each respective C-pillar trim.

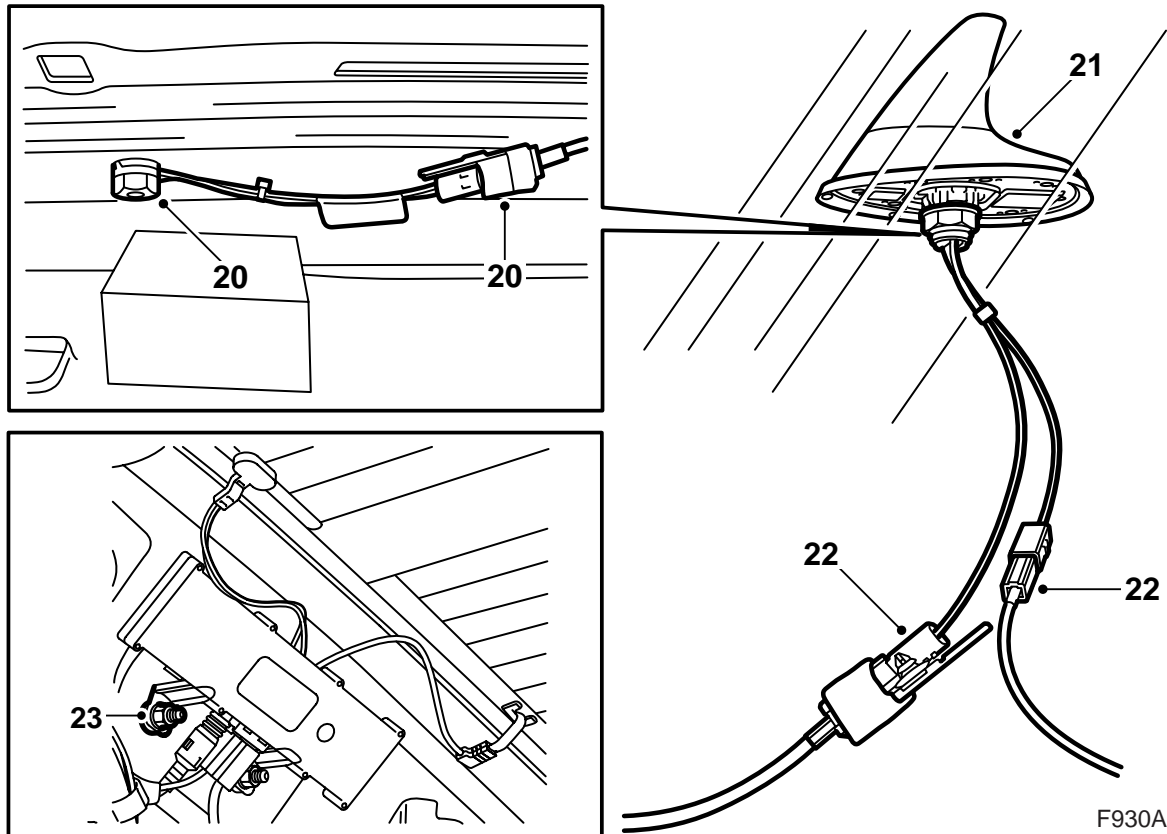
Important

The screw is fitted in an expander which is mounted in the body. If the expander is pushed through the hole it may be lost.

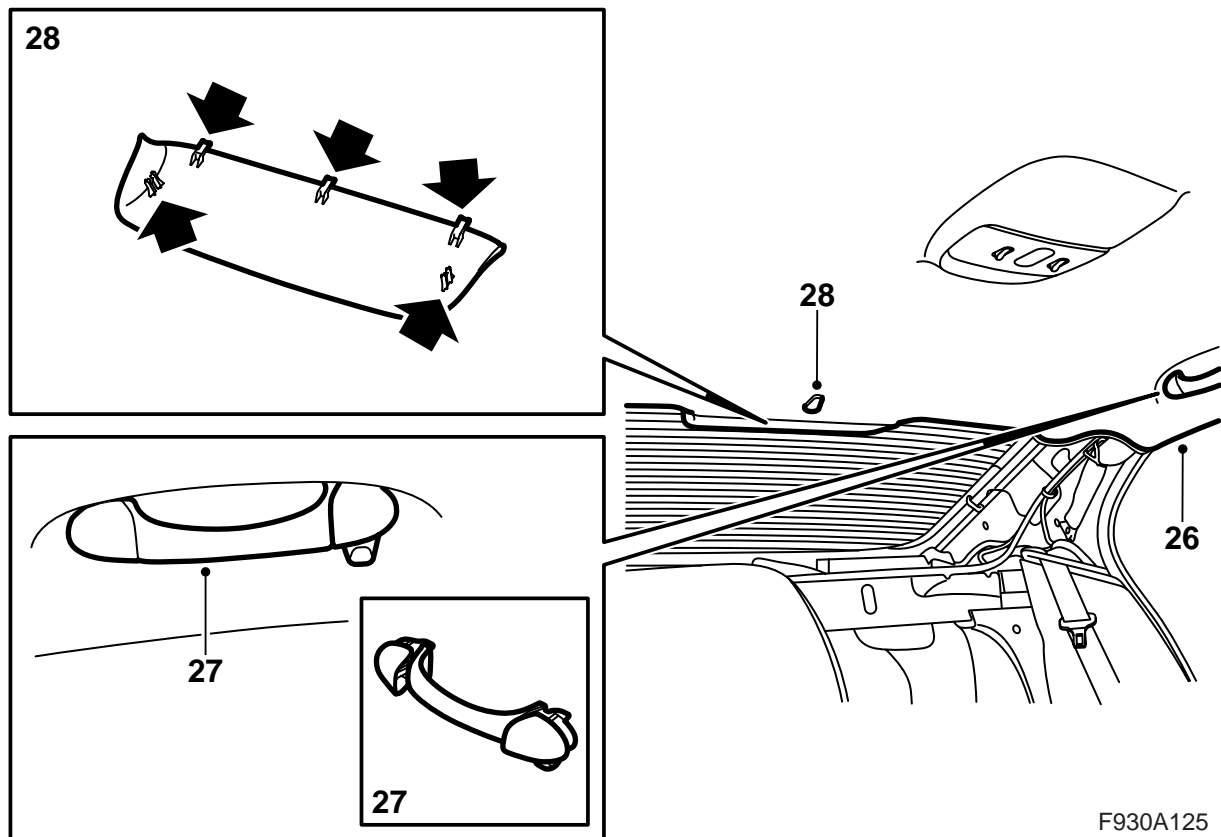
- 13 Remove the C-pillar trims by first pulling the lower edge of each respective trim directly outwards from the C-pillar and then turning them, so that the hook in the upper edge becomes free.



- 14 Remove the high-level brake light cover by carefully drawing the cover downwards and backwards.
- 15 Remove the clip at the rear edge of the headlining by turning it 90°.
- 16 Remove the end pieces on the rear courtesy handle. Use 82 93 474 Removal tool and prise outwards.
- 17 Draw the courtesy handle straight out.
- 18 Undo the ceiling trim from the weatherstrip by the rear doors.
- 19 Carefully lower the roof at the rear edge so that the antenna can be reached. The brake light connector may have to be removed.



- 20 Remove the antenna cable from the roof antenna and remove the antenna.
- 21 Take the antenna kit, guide the antenna cables down through the hole in the roof and fit the antenna.
Tighten the antenna nut.
Tightening torque 2 Nm (1.5 lbf ft)
- 22 **Cars with antenna cable continuing forwards in the car:** First connect the existing antenna cable to the violet connector from the antenna. Take the kit's antenna cable and remove the two clips intended for fitting in the car roof. Connect the kit's antenna cable with blue connector to the blue connector from the antenna. Affix the kit's antenna cable and the remaining violet connector to the existing antenna cable up to the split at the right-hand C-pillar. Use 3 pieces of anti-rattle tape with one piece to be used for preventing rattle between the remaining connector and the roof.
- Cars with antenna cable with violet connector continuing to the parcel shelf:** Remove the existing antenna cable from the holes in the rear edge of the roof and fold the antenna cable down along the right-hand C-pillar. Remove the antenna cable which runs to the centre of the parcel shelf, and if a telematics unit is fitted, the antenna cable must also be removed from it. Connect the kit's antenna cable to the antenna and fit the clips to the cable in the holes in the rear edge of the roof. Guide the antenna cable down along the C-pillar.
- 23 Secure the kit's antenna cable to the antenna amplifier's upper retaining screw.
- 24 Secure both unused antenna cables and remaining connectors, if any, together with the new antenna cable with cable ties to the C-pillar. Fit anti-rattle tape to the body behind the remaining connectors in order to prevent rattle.
- 25 **Cars with telematics unit in centre of parcel shelf:** Connect the antenna cables to the telematics unit.

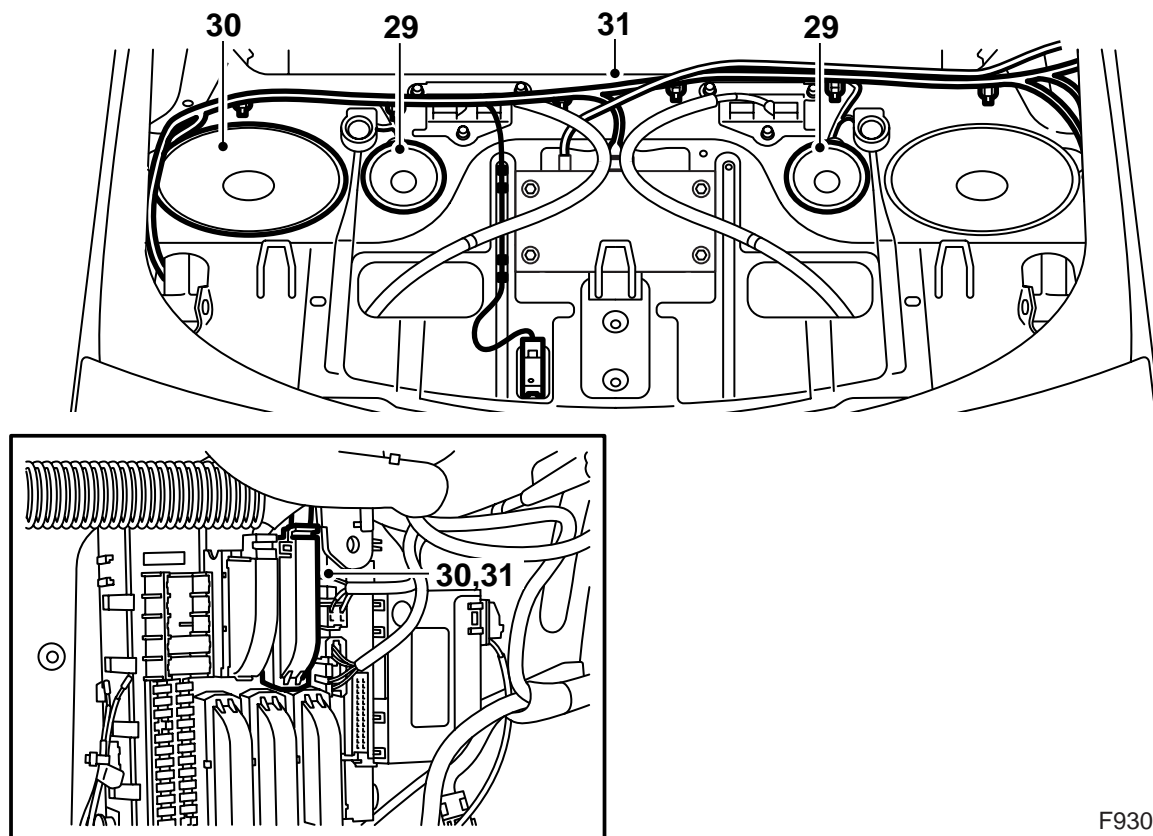


F930A125

- 26 Fit the ceiling trim above the rear doors' weatherstrip.
- 27 Press and fasten the rear courtesy handle securely into the end pieces.
- 28 Fit the high-level brake light cover and press and fasten the headlining clip.

Cars without telematics unit: Continue with step 29.

Cars with telematics unit: Secure the antenna cables to the cable clamps on the parcel shelf. Continue with step 36.



F930A357

29 Remove the mid-range speakers from the parcel shelf and detach the connectors from the speakers.

Important

If the car has treble speakers the connector must be separated so that the wiring harness between the treble speakers and the mid-range speakers is still connected to the speakers.

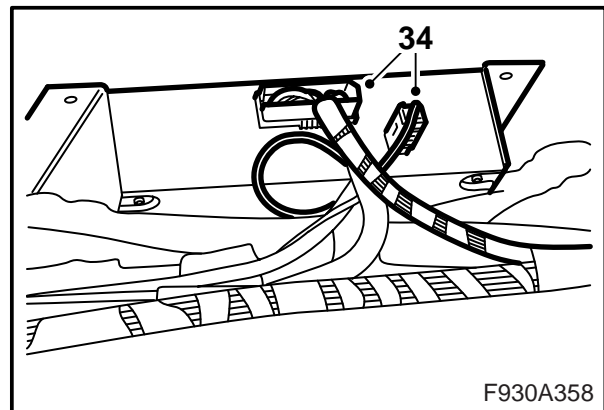
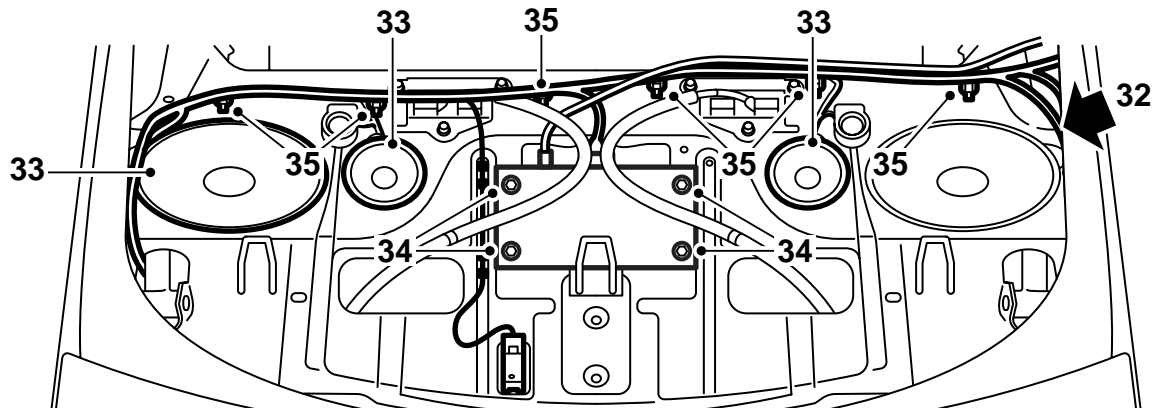
30 Remove the left-hand bass speaker or the left-hand cover, remove the wiring harness from the parcel shelf and remove the connection in the REC.

31 Fit the new wiring harness above the parcel shelf and connect it.

Important

Handle the fibre optic cables with care or the signal may be distorted.

- Do not bend the cable in a radius smaller than 25 mm.
 - Do not expose the cable to impact as this may cause the transparent plastic to whiten, thereby reducing the intensity of the light and causing possible communication interruptions.
 - The cable should not lie against any sharp edges as this may cause increased signal reduction.
-



F930A358

32 **M03:** Guide down the fibre optic cable on the right-hand side of the car.

M04-: Position the connector with the two fibre optic cables next to the REC without securing it.

33 Connect and fit the speakers and any cover.

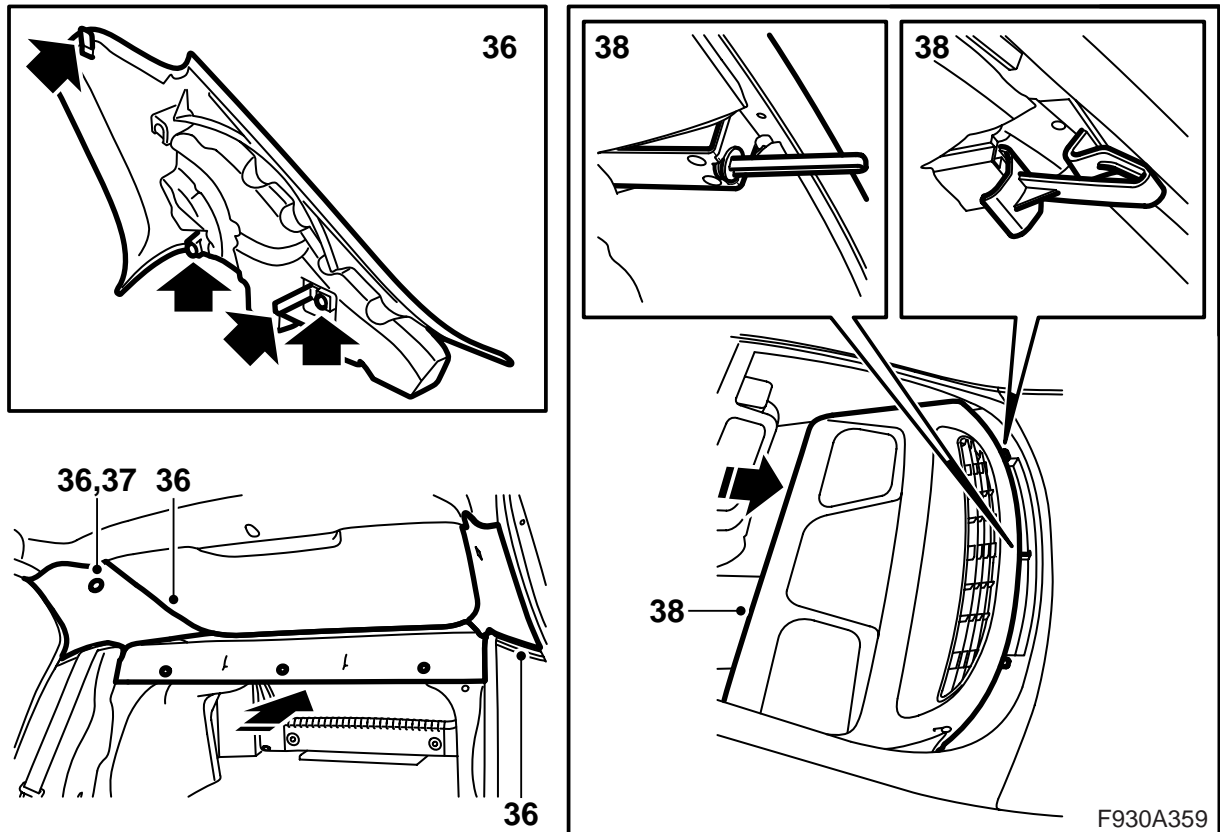
Important

If the car has no bass speakers then the connectors must be fitted on the underside of the speaker covers.

34 Fit the telematics unit on the parcel shelf and connect the wiring harness and antenna cable (blue connector). Fold back and secure the unused violet connector on the antenna cable and fit the screws.

Tightening torque 8 Nm (6 lbf ft)

35 Secure the wiring harness to the weld screws on the parcel shelf and secure the antenna cable in the wiring harness cable clamps.



- 36 Guide each respective C-pillar trim into position. Be careful with the screw so that the expander does not press into the body.

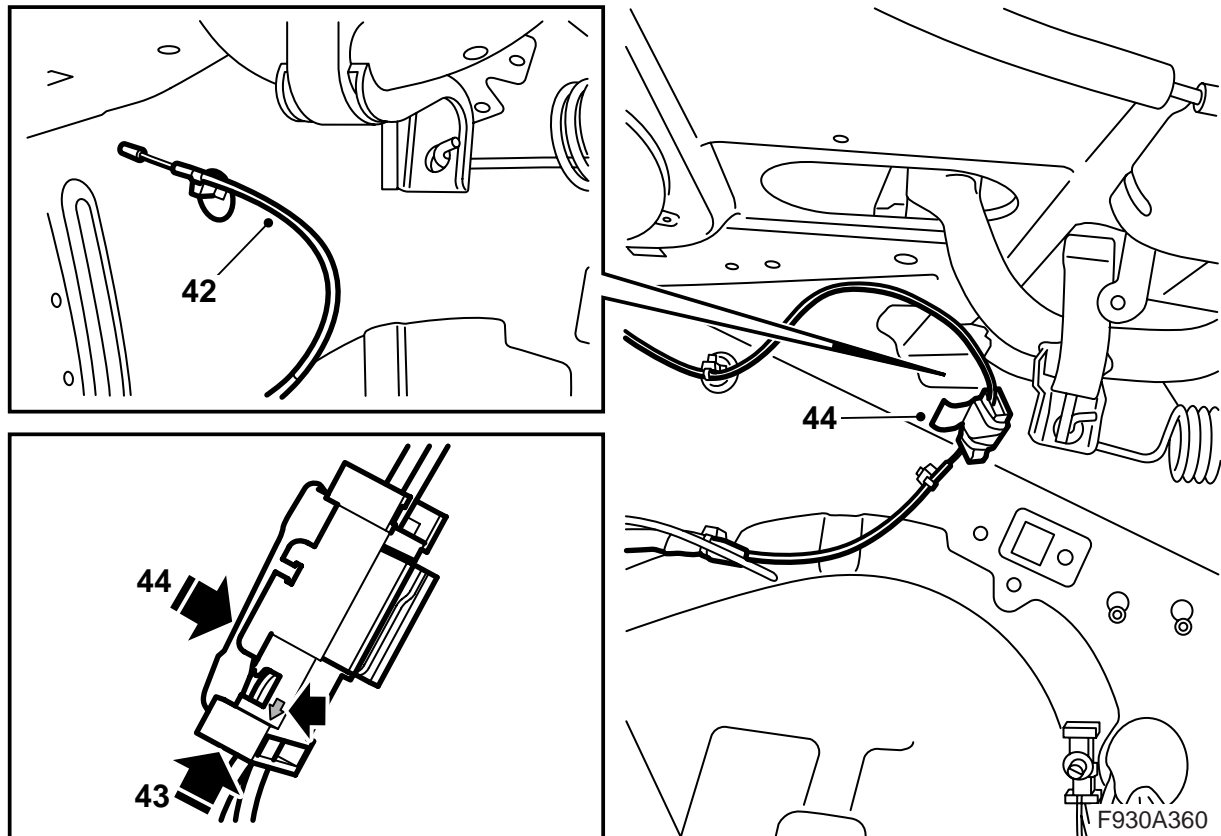
⚠ WARNING

Be careful that the inflatable curtain is not damaged. Damage can result in the inflatable curtain not providing the intended protection to the occupants in the event of a collision.

Tighten each respective screw.

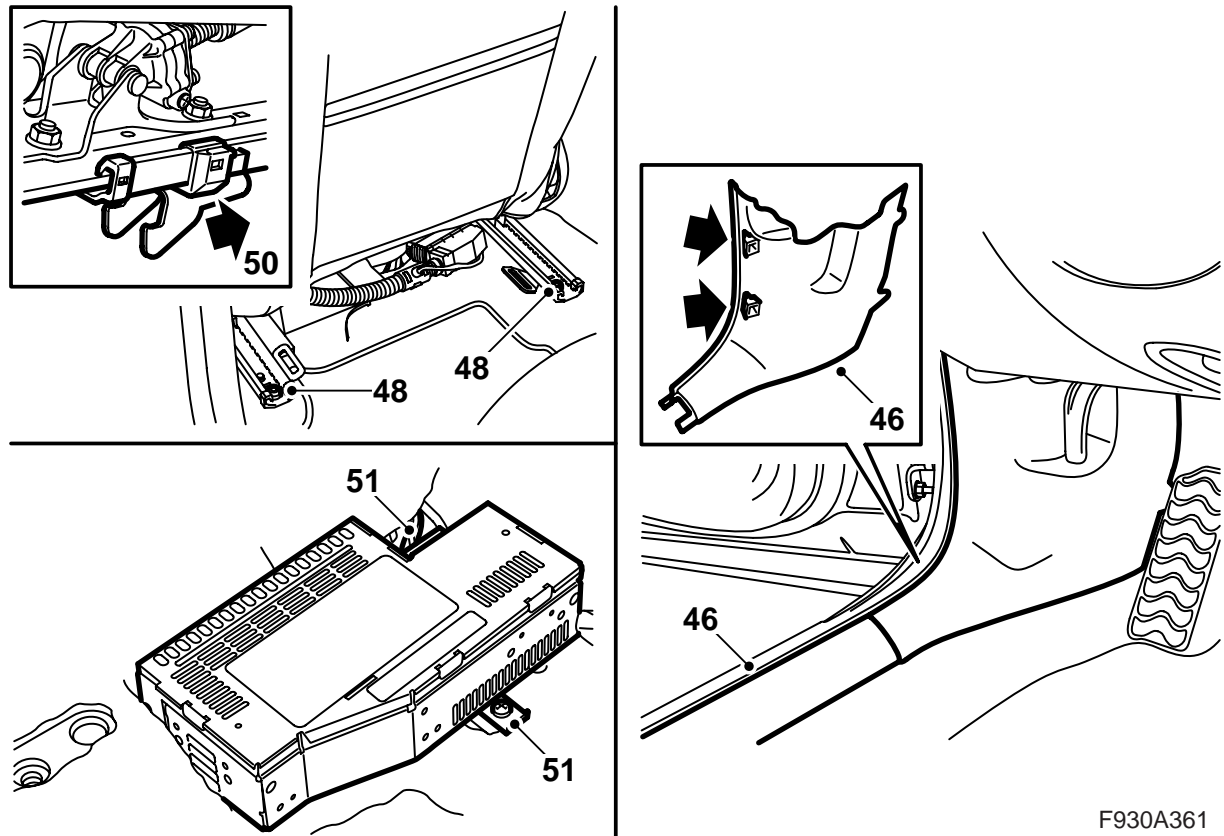
Tightening torque 2 Nm (1.5 lbf ft)

- 37 Fit the cover plates.
- 38 Slide in the parcel shelf trim. Make sure the lugs fully engage the mountings in the parcel shelf plate.
- 39 Fit the clips to the parcel shelf trim.
- 40 Raise the backrest. Check that the backrest is locked.



- 41 **M03:** Fit the connector for the fibre optic cable which runs down from the parcel shelf on the right-hand side of the luggage compartment in one of the kit's connectors.
- 42 **M03:** Locate the fibre optic cable attached to the right-hand side of the luggage compartment and remove the protective cover.
- 43 **M03:** Fit the connection on the fibre optic cable, in the position in the connector which is on the corresponding side to the fibre optic cable from the parcel shelf and where the arrow points outwards, to the fibre optic cable.
- 44 **M03:** Fit the lock tab and fit the anti-rattle tape around the connector.

- 45 **Cars without telematics unit and where there is no bracket at the REC:** Continue with step 46.
- Cars without telematics unit and where a small bracket for only one amplifier is fitted at the REC:** Remove the amplifier, remove the bracket and continue with step 82.
- Cars M03 without telematics unit and where a large bracket with space for several units is fitted at the REC:** Continue with step 71.
- Cars M04- without telematics unit and where a large bracket with space for several units is fitted at the REC:** Continue with step 90.
- Cars with telematics unit and where there is no bracket at the REC:** Continue with step 82.
- Cars with telematics unit and where a large bracket with space for several units is fitted at the REC:** Continue with step 90.



F930A361

46 Remove the front scuff plate on the left-hand side of the car.

M04-: Remove the lower section of the A-pillar trim on the left-hand side.

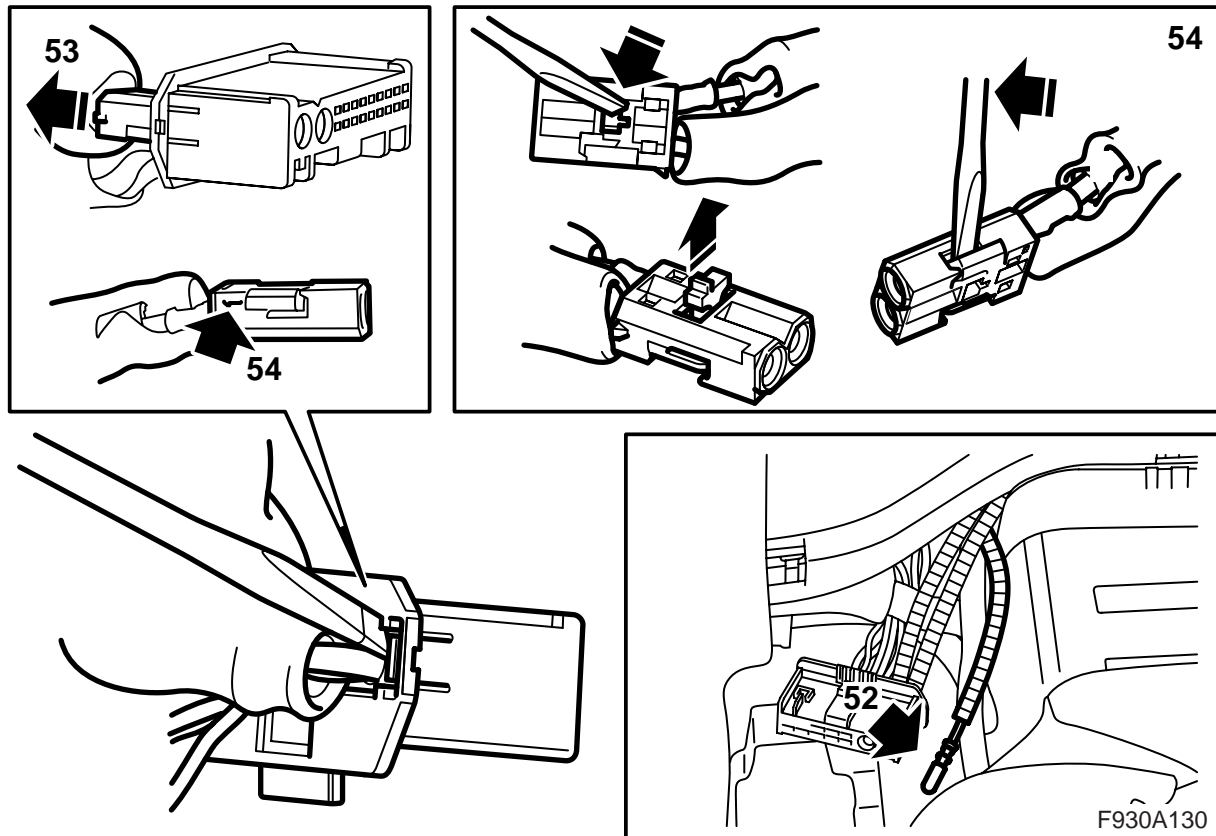
47 Position the left-hand front seat in its most forward position and fold the backrest forwards if not done already.

48 Remove the two rear retaining screws from the seat.

49 Angle the seat forwards.

50 Draw the seat backwards so that the fitting hooks loosen from their positions. Fold the whole seat backwards.

51 Remove the amplifier.



52 Locate the green marked fibre optic cable at the amplifier.

If there is no colour marking: Follow the instructions in points 85 and 86 in these fitting instructions, shine a light onto the fibre optic cable at the amplifier and look at the fibre optic cables in the luggage compartment in order to identify the relevant fibre optic cable. Mark it with a piece of tape.

54 Remove the fibre optic cable which is connected to position 1 by opening the connector locking clip and carefully lifting the hook.

55 Remove the protective cover from the connection on the extra fibre optic cable.

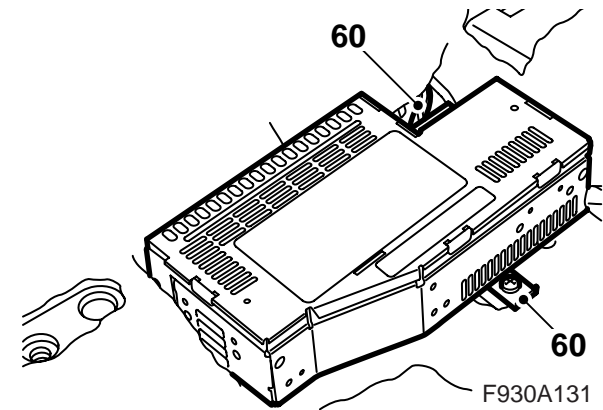
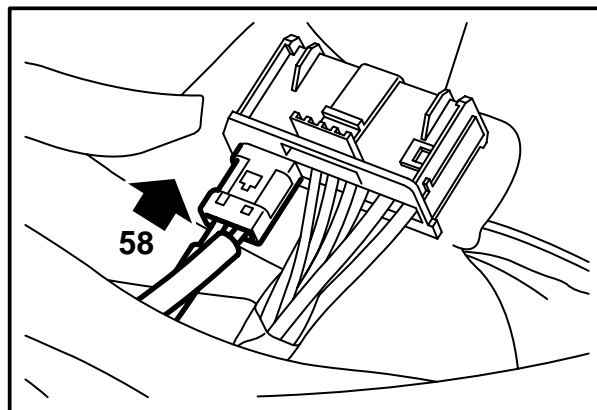
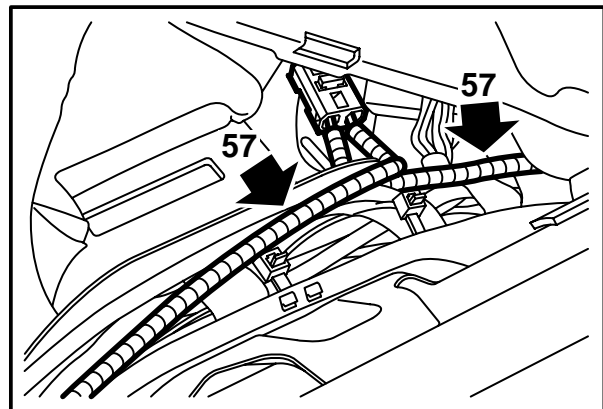
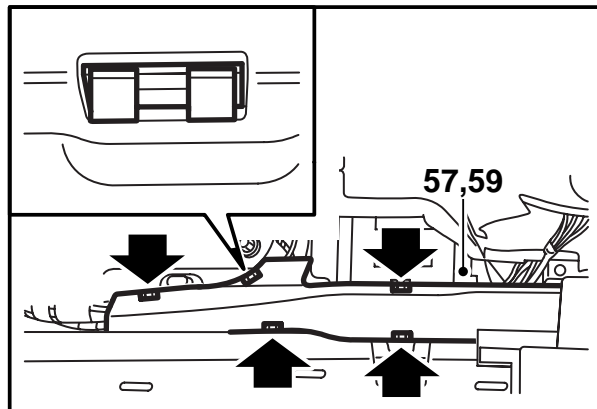
56 Fit the protective cover onto the removed fibre optic cable connection and carefully move the fibre optic cable aside in order to prevent damage.

Important

Handle the fibre optic cables with care or the signal may be distorted.

- It is very important that the two leads in the connector are not confused with one another.
- Do not bend the cable in a radius smaller than 25 mm.
- Keep the cable ends free from dirt and grime.
- Do not expose the cable to impact as this may cause the transparent plastic to whiten, thereby reducing the intensity of the light and causing possible communication interruptions.
- The cable should not lie against any sharp edges as this may cause increased signal reduction.

53 Remove the fibre optic cable connector (the small connector) from the amplifier connector.



57 Remove the cover on the cable duct, check that the fibre optic cable cannot bend and fit the connection on the fibre optic cable in position 1 in the small connector for the amplifier. Fit the lock.

59 Fit the cover on the cable duct, fold back the carpet and guide the connector and the cables out through the hole in the carpet.

60 Connect and fit the amplifier.

M03: Continue with step 68.

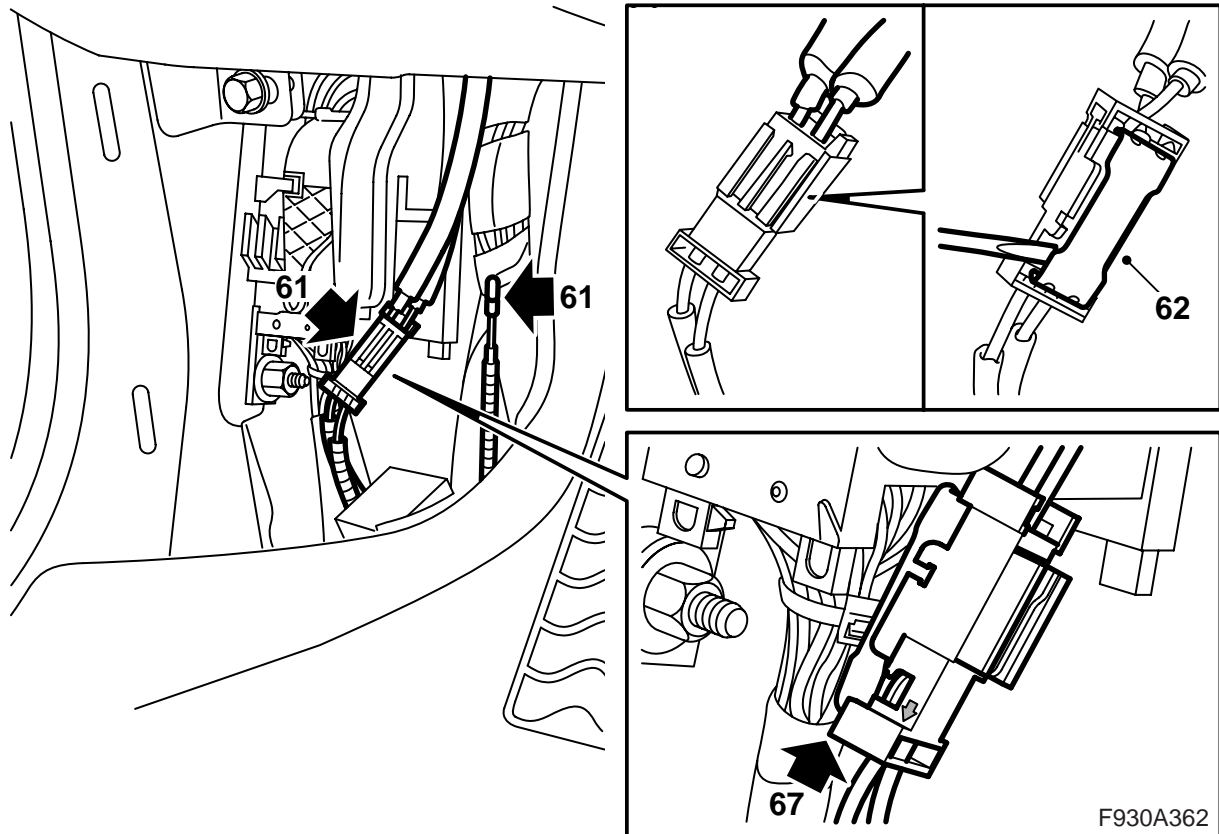
M04-: Continue with step 61.

Important

Handle the fibre optic cables with care or the signal may be distorted.

- It is very important that the two leads in the connector are not confused with one another.
- Do not bend the cable in a radius smaller than 25 mm.
- Keep the cable ends free from dirt and grime.
- Do not expose the cable to impact as this may cause the transparent plastic to whiten, thereby reducing the intensity of the light and causing possible communication interruptions.
- The cable should not lie against any sharp edges as this may cause increased signal reduction.

58 Fit the small connector to the large connector.



61 Locate the loose fibre optic cable and the connector with the fibre optic cables connected by the left-hand A-pillar (taped to the cable duct).

⚠ WARNING

The visible red light is a class 1 laser. Do not look directly into the optical fibre or the control module connector at close range. A distance of less than 20 mm between your eyes and the light source may cause eye injury.

62 Lift up the connector lock tab.

63 Remove the fibre optic cable from the position in the connector where the arrow points outwards, to the fibre optic cable.

64 Remove the fixing tape from the loose fibre optic cable.

65 Remove the protective cover from the connection.

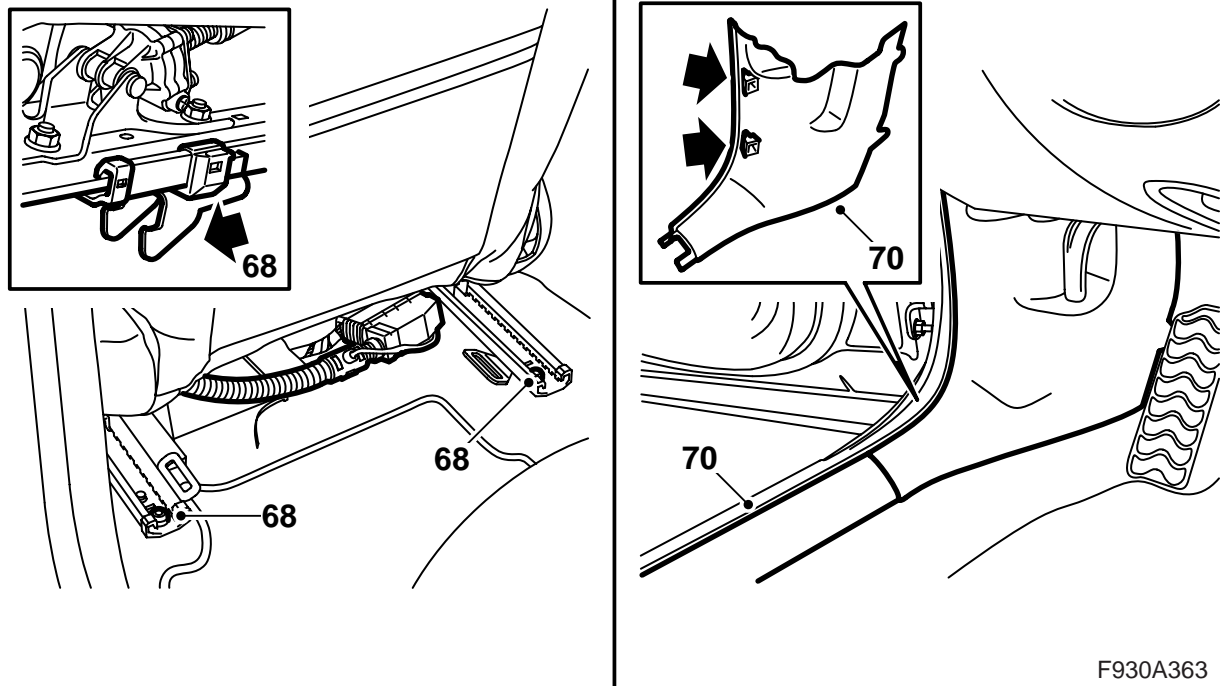
66 Fit the protective cover onto the removed fibre optic cable connection and carefully move the fibre optic cable aside in order to prevent damage, and position it behind the wiring harness.

67 Fit the connection on the new fibre optic cable in the position in the connector where the arrow points outwards, to the fibre optic cable and fit the lock tab.

Important

Handle the fibre optic cables with care or the signal may be distorted.

- It is very important that the two leads in the connector are not confused with one another.
- Do not bend the cable in a radius smaller than 25 mm.
- Keep the cable ends free from dirt and grime.
- The cable should not lie against any sharp edges as this may cause increased signal reduction.



F930A363

68 Set the seat in its correct position, be careful that the fitting hooks locate themselves correctly into their brackets, and fit the rear retaining screws.

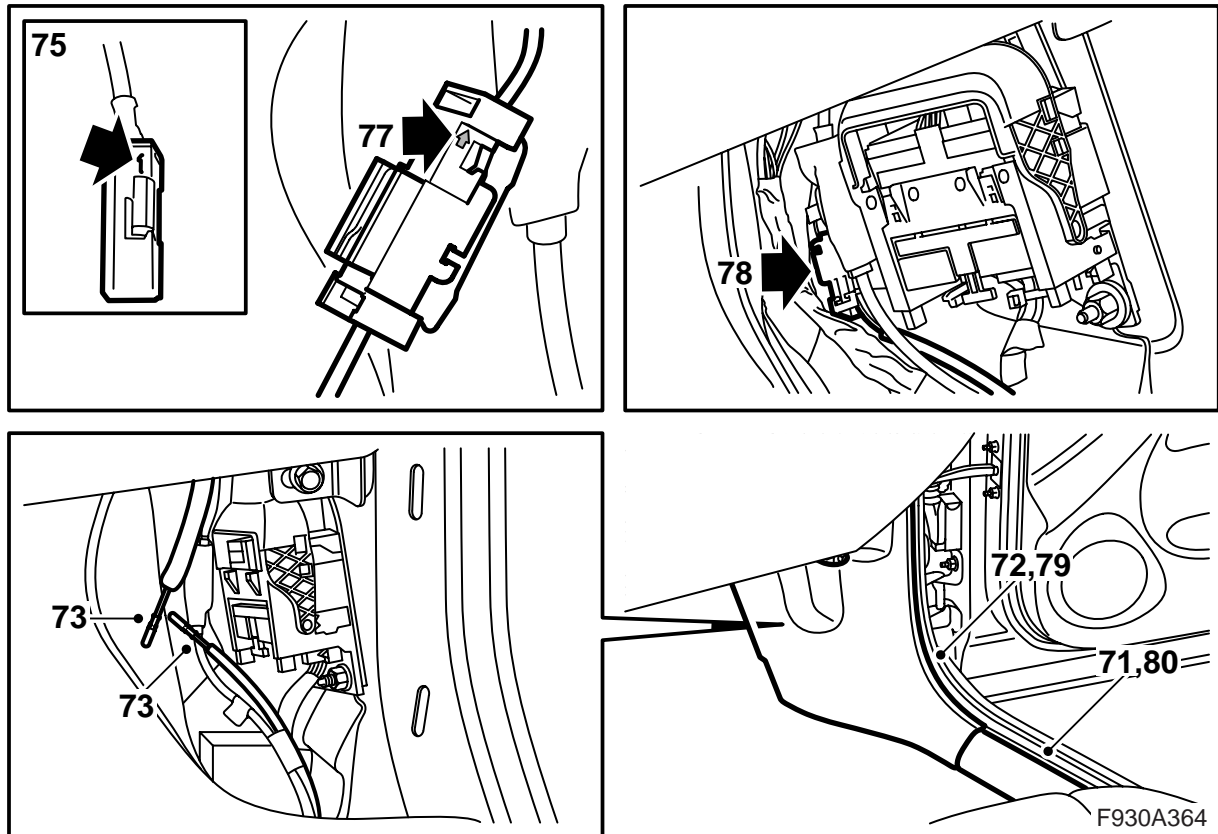
Tightening torque 30 Nm (22 lbf ft)

69 **Manual seat:** Move the seat back and reset the backrest position.

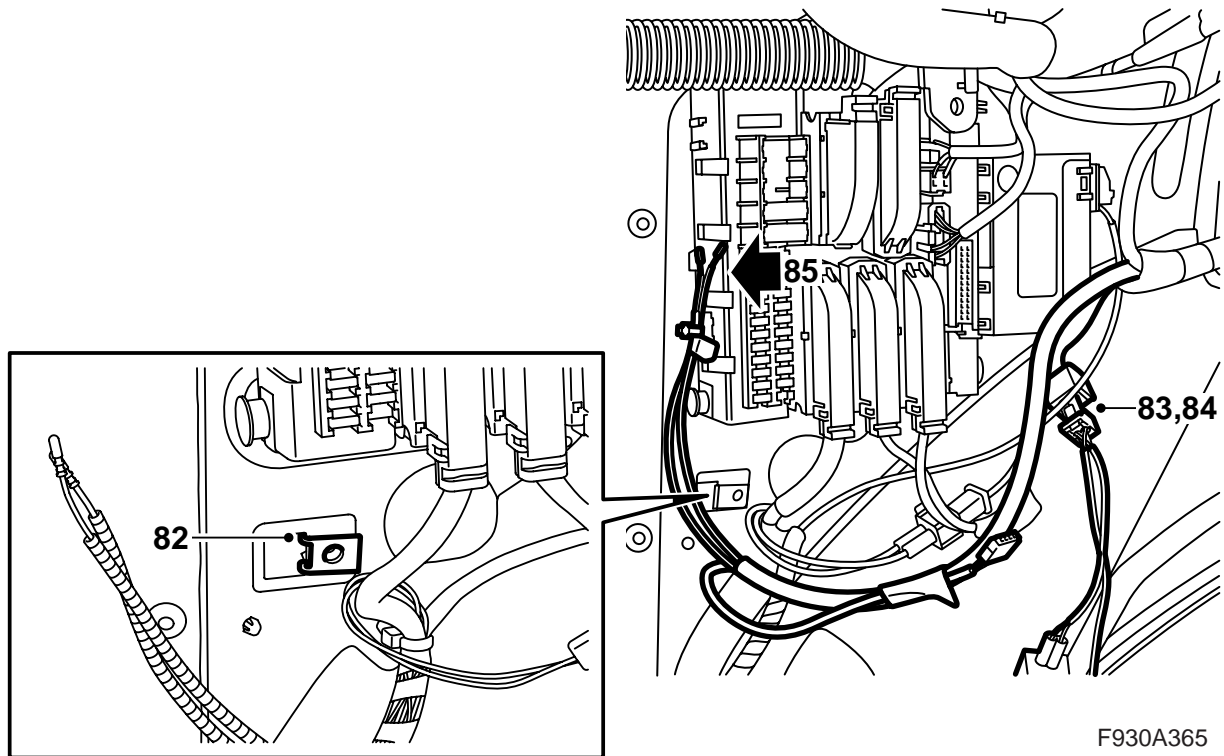
Electrically adjustable seat: Connect the battery's negative cable, move the seat to its rear position and reset the backrest position. Disconnect the battery's negative cable.

70 **M03:** Fit the scuff plate and continue with step 71.

M04-: Fit the A-pillar trim and the scuff plate and continue with step 82.



- 71 Remove the front scuff plate on the right-hand side of the car.
- 72 Remove the lower section of the A-pillar trim on the right-hand side.
- 73 Locate the fibre optic cables at the right-hand A-pillar.
- 74 Remove the protective cover from the fibre optic cables' connections.
- 75 Fit the connection on one fibre optic cable in position 1 in the kit's connector. Fit the lock.
- 76 Fit the small connector in one of the kit's connector's.
- 77 Fit the connection on the other fibre optic cable in the position in the connector which is on the corresponding side to the previous fibre optic cable and where the arrow points outwards, to the fibre optic cable. Fit the lock tab.
- 78 Secure the connector in front of the large connector.
- 79 Fit the A-pillar trim.
- 80 Fit the scuff plate.
- 81 **Cars where there is no bracket at the REC:**
Continue with step 82.
- Cars where the bracket at the REC is fitted:**
Continue with step 90.



F930A365

- 82 Fit the clip nut in the square hole at the REC and fit the bracket in the luggage compartment.
- 83 Locate the connector for the DVD player at the REC.
- 84 Connect the kit's wiring harness to the connector.

Cars without telematics unit and no bracket at the REC: Continue with step 85.

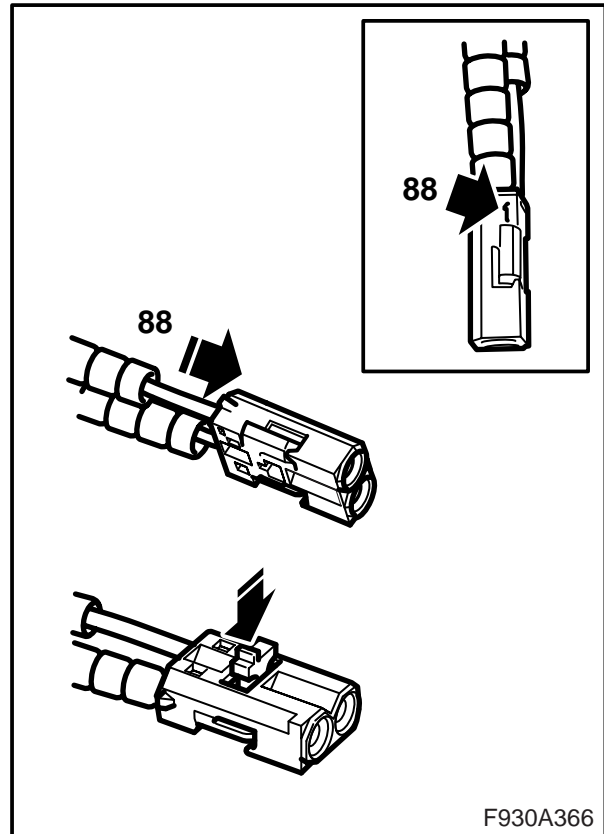
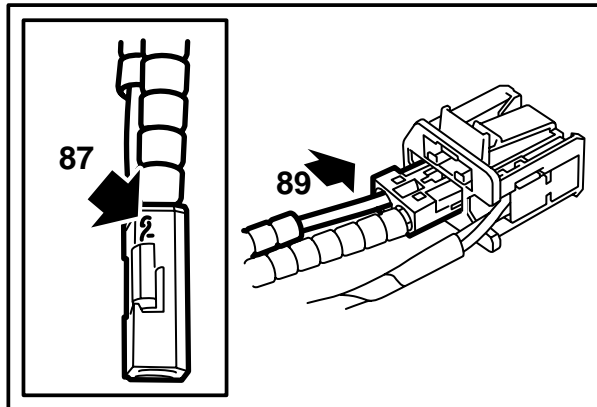
Cars without telematics unit and where a small bracket for only one amplifier was fitted at the REC: Fit the amplifier in the large bracket, a clicking sound should be heard, and connect the amplifier. Do not fit the bracket yet. Continue with step 93.

Cars with telematics unit: Continue with step 94.

- 85 Locate the fibre optic cable by the REC.
- 86 Remove the protective cover from the fibre optic cables' connections.

⚠ WARNING

The visible red light is a class 1 laser. Do not look directly into the optical fibre or the control module connector at close range. A distance of less than 20 mm between your eyes and the light source may cause eye injury.



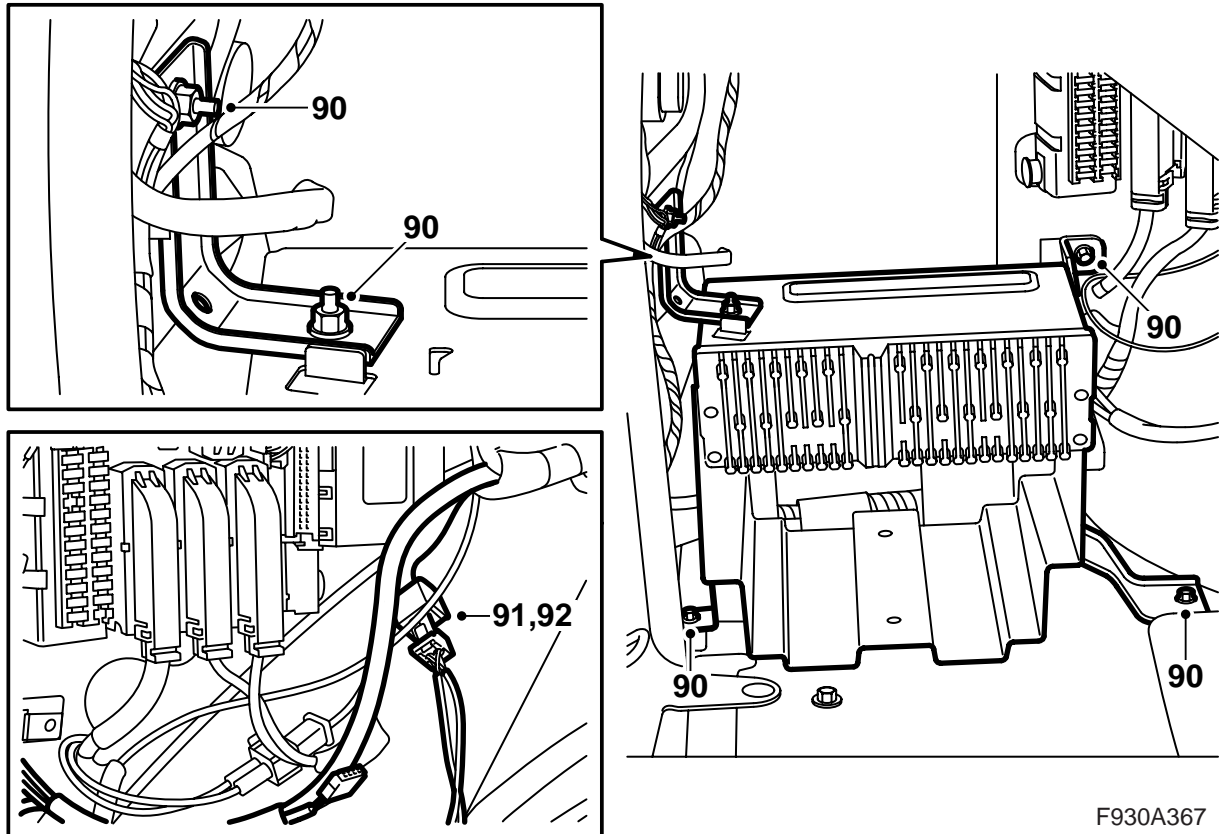
- 87 Fit the unmarked connection on the fibre optic cable in position 2 in the kit's small connector.

Important

For cars without green marked fibre optic cable, the fibre optic cable marked earlier with tape is the one to be fitted in position 2.

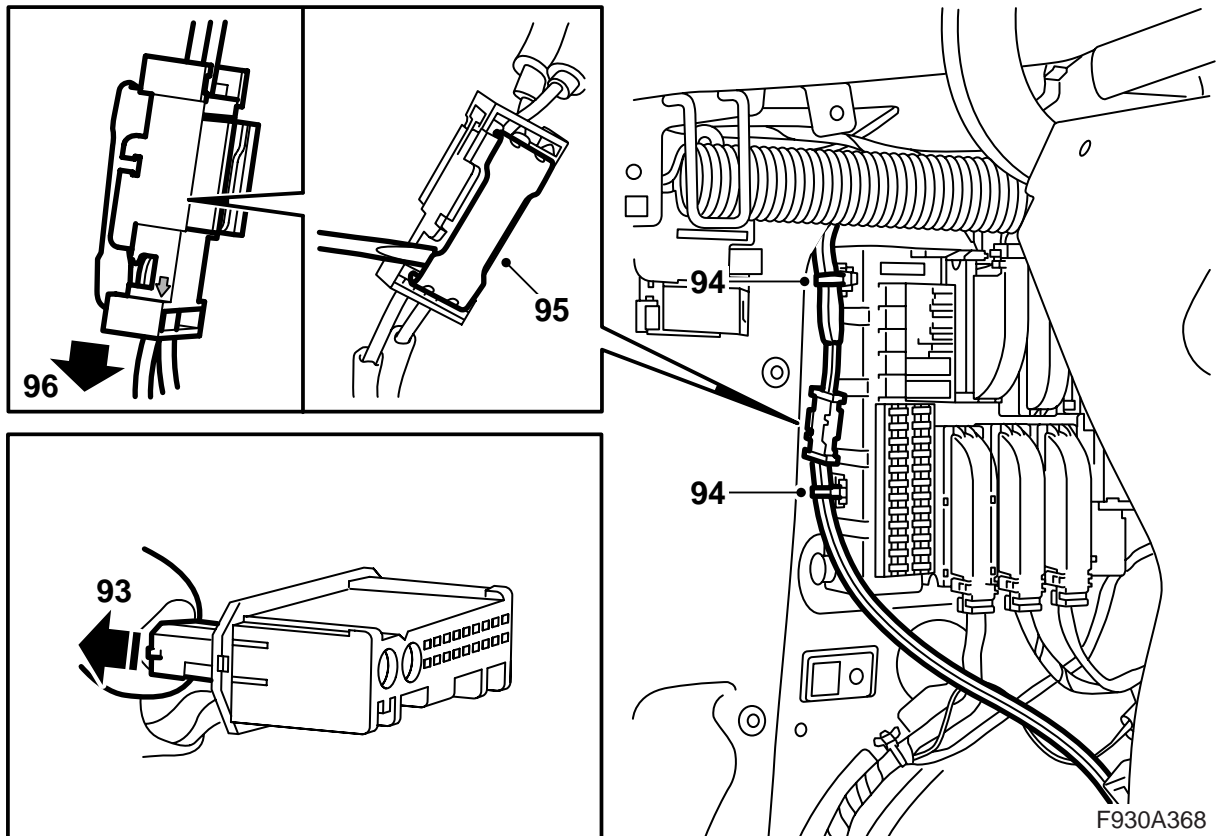
M03: Fit the lock.

- 88 **M04-:** Take a fibre optic cable from the kit, remove the protective covers and fit one fibre optic cable connection in position 1 in the kit's connector where a fibre optic cable is already connected to position 2. Fit the lock.
- 89 Fit the small connector to the large connector.
Continue with step 109.



F930A367

- 90 Remove the bracket and take it out to facilitate access.
- 91 Locate the connector for the DVD player at the REC.
- 92 Connect the kit's wiring harness to the connector.



93 **Bracket with amplifier or CD changer fitted at the REC:** Remove the amplifier's and CD changer's connector and remove the small connector from the large connector. Continue with step 101.

Bracket with amplifier and CD changer fitted at the REC: Remove the CD changer connector and remove the small connector from the large connector. Continue with step 101.

94 Remove the cable tie which secures the connector next to the REC.

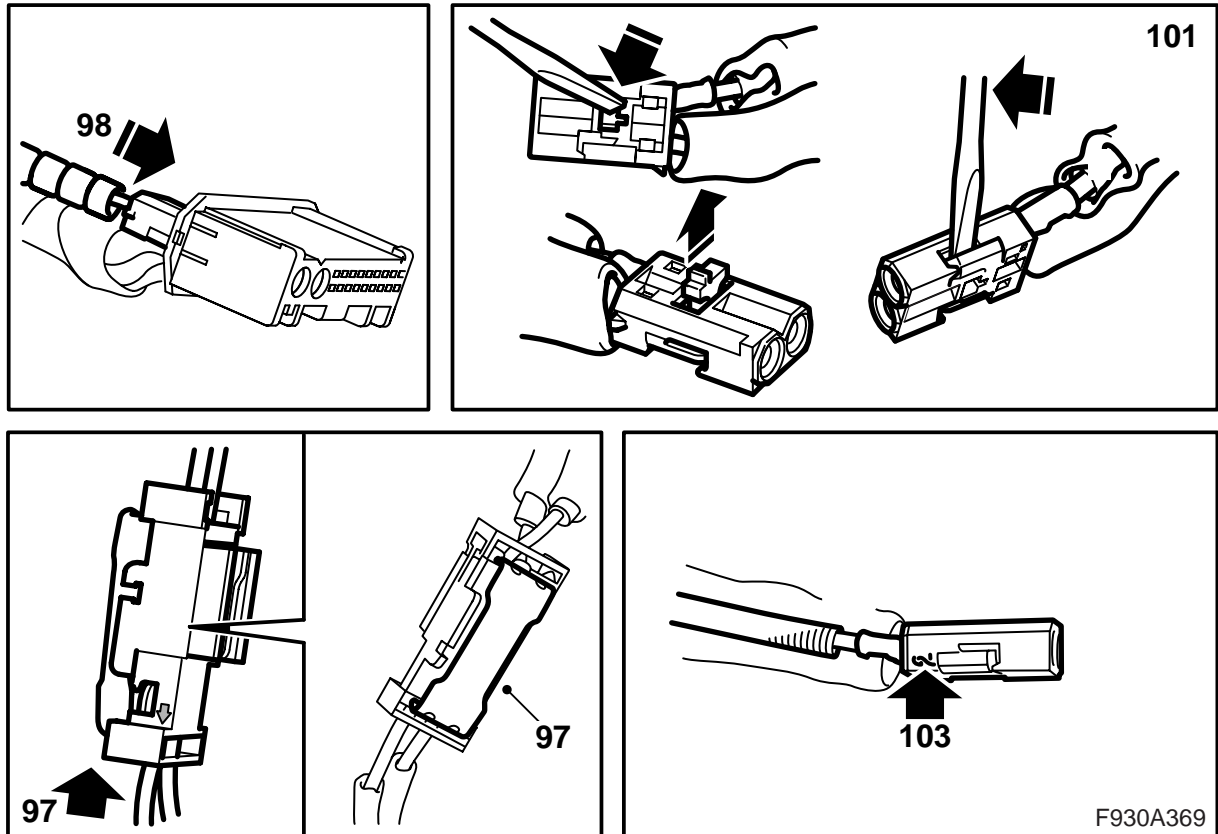
95 Lift up the connector lock tab.

96 Remove the fibre optic cable from the position in the connector where the arrow points outwards, to the fibre optic cable.

Important

Handle the fibre optic cables with care or the signal may be distorted.

- It is very important that the two leads in the connector are not confused with one another.
- Do not bend the cable in a radius smaller than 25 mm.
- Keep the cable ends free from dirt and grime.
- The cable should not lie against any sharp edges as this may cause increased signal reduction.



97 Take a fibre optic cable from the kit, remove the protective covers and fit one fibre optic cable connection in the position in the connector where the arrow points out, to the fibre optic cable. Fit the lock tab.

98 **Amplifier and/or CD changer is fitted:** Fit the small connector in the large connector for the amplifier or CD changer.

99 Fit the other end of the kit's fibre optic cable in position 1 in the kit's connector.

100 Fit the fibre optic cable connection removed earlier in position 2 in the kit's connector where a fibre optic cable is already connected to position 1. Fit the lock.

Cars without telematics unit: Continue with step 108.

Cars with telematics unit: Continue with step 115.

101 **Amplifier and/or CD changer fitted:** Remove the fibre optic cable connected to position 1 in the removed connector by opening the lock in the connector and carefully lifting the hook.

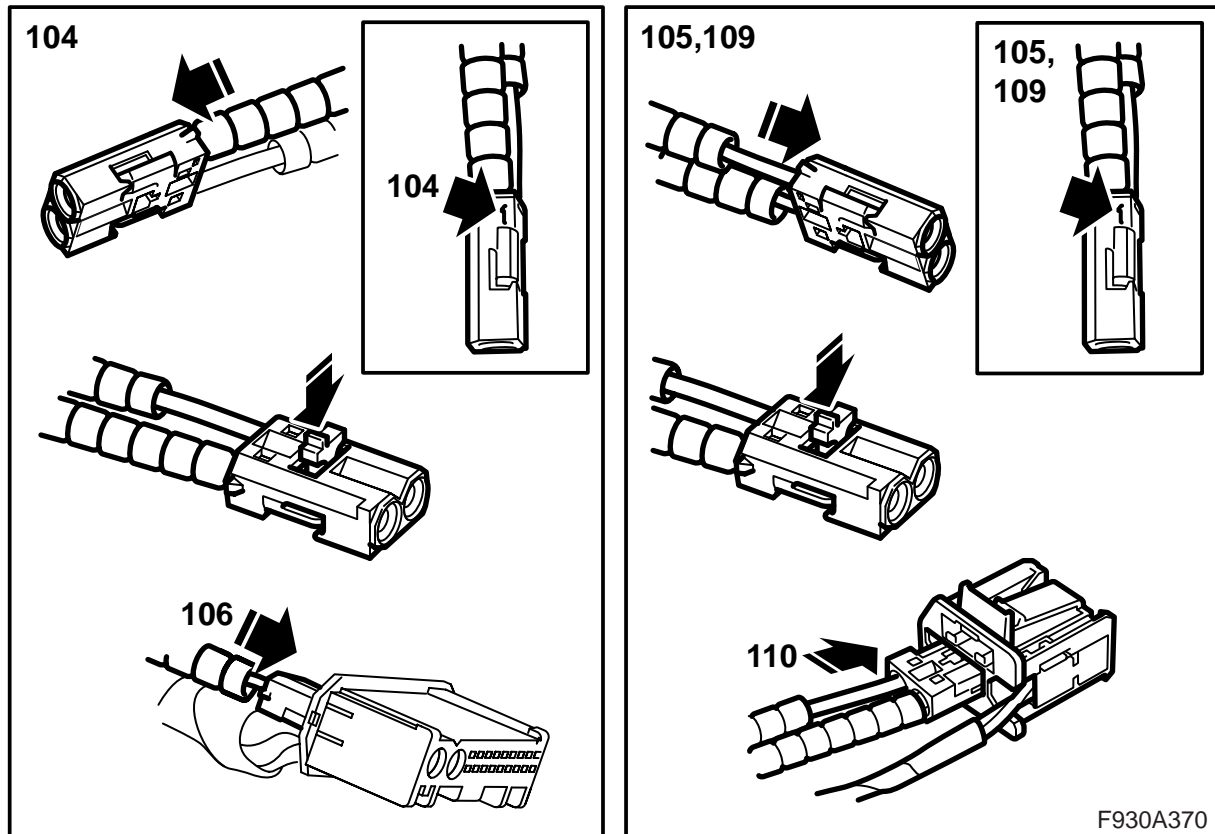
M03: Carefully guide the fibre optic cable away so that it is not damaged.

M04-: Fit the fibre optic cable connection in position 2 in the kit's connector.

102 **Amplifier and/or CD changer is fitted:** Remove the protective covers from the connections on the accessory kit's fibre optic cable.

103 **Cars M03 with amplifier and/or CD changer fitted:** Fit one connection of one of the kit's fibre optic cables in position 2 in the kit's connector.

Cars M04- with amplifier and/or CD changer fitted: Fit one connection of one of the kit's fibre optic cables in position 1 in the same connector as in step 101.



104 Cars M03 with amplifier and/or CD changer fitted: Fit the other connection on the same fibre optic cable in position 1 in the removed connector. Fit the lock.

Cars M04- with amplifier and/or CD changer fitted: Fit the other connection on the same fibre optic cable in position 1 in the kit's connector.

105 Cars M04- with amplifier and/or CD changer fitted: Take the extra fibre optic cable from the kit, remove the protective covers and fit one fibre optic cable connection in position 1 in the kit's connector where a fibre optic cable is already connected to position 2. Fit the lock.

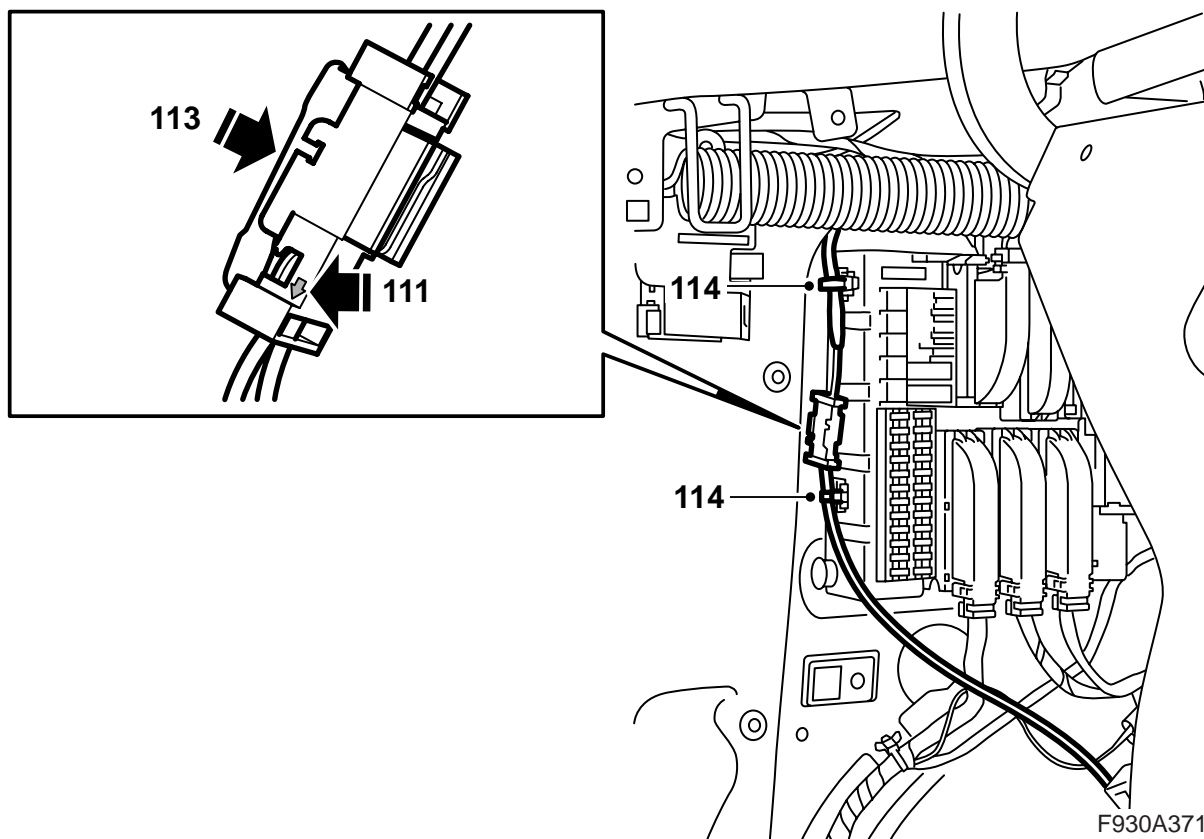
106 Amplifier and/or CD changer is fitted: Fit the small connector in the large connector for the amplifier or CD changer.

107 Cars M04- with amplifier and/or CD changer fitted: Fit the fibre optic cable's other connection in position 2 in the kit's connector where a fibre optic cable is already connected to position 1. Fit the lock.

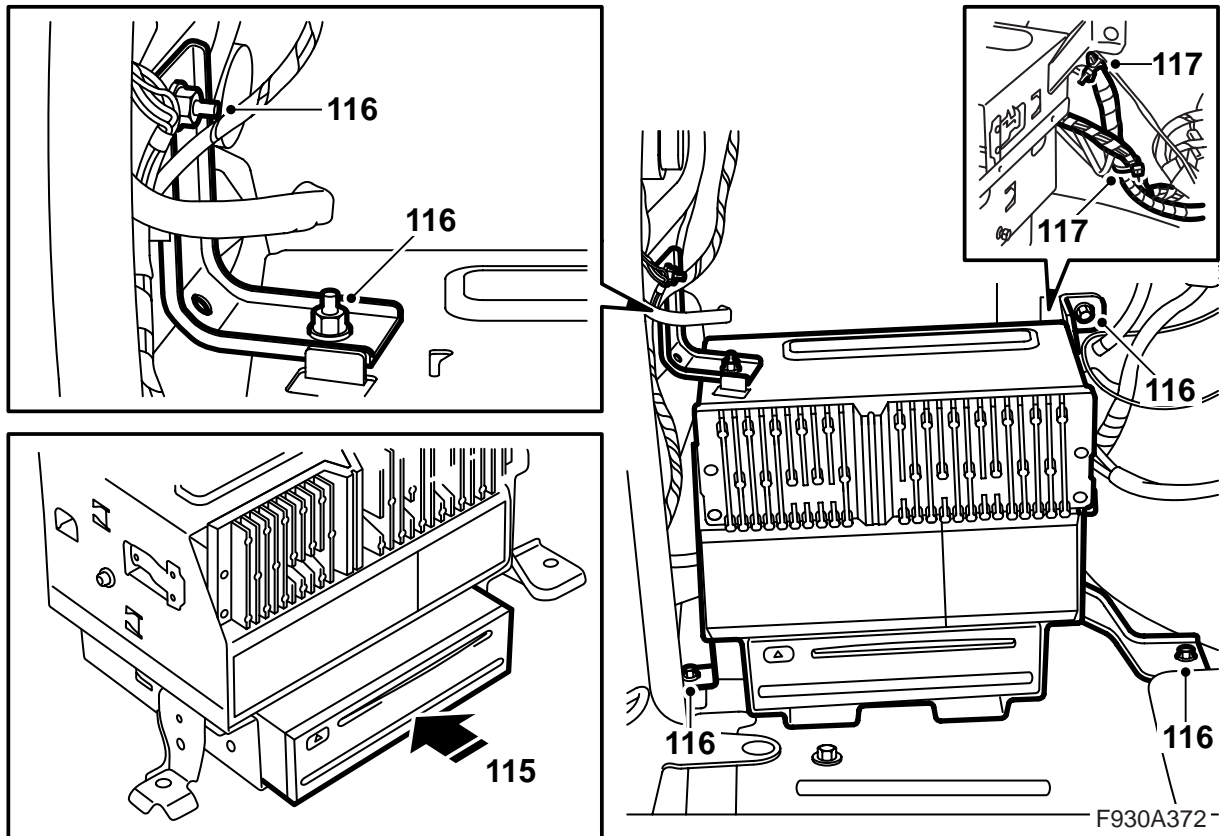
108 Amplifier and/or CD changer is fitted: Connect the amplifier or CD changer connector.

109 M03: Take the extra fibre optic cable from the kit, remove the protective covers and fit one fibre optic cable connection in position 1 in the kit's connector where a fibre optic cable is already connected to position 2. Fit the lock.

110 Fit the small connector in the DVD player's connector.



- 111 **M03**: Fit the connector for the fibre optic cable which runs down from the parcel shelf on the left-hand side of the luggage compartment in one of the kit's connectors. Fit the other connection on the kit's fibre optic cable in the position in the connector which is on the corresponding side to the fibre optic cable from the parcel shelf and where the arrow points out, to the fibre optic cable.
- 112 **M04**:- Fit the small connector from the parcel shelf wiring harness in the connector at the REC.
- 113 Fit the lock tab.
- 114 Secure the fibre optic cables on the REC using two cable ties where one of which is fitted to the fibre optic cable which runs from the parcel shelf.



115 Fit the DVD player in the bracket, a clicking sound should be heard, connect the DVD player and fit the bracket.

Important

Handle the fibre optic cables with care or the signal may be distorted.

- It is very important that the two leads in the connector are not confused with one another.
- Do not bend the cable in a radius smaller than 25 mm.
- Keep the cable ends free from dirt and grime.
- The cable should not lie against any sharp edges as this may cause increased signal reduction.

116 Fit the bracket. Tighten the nut on the bracket's top side.

117 Secure the kit's wiring harness to the car's wiring harness.

118 **M03:** Fit the side trims.

M04-: Fit the side trim.

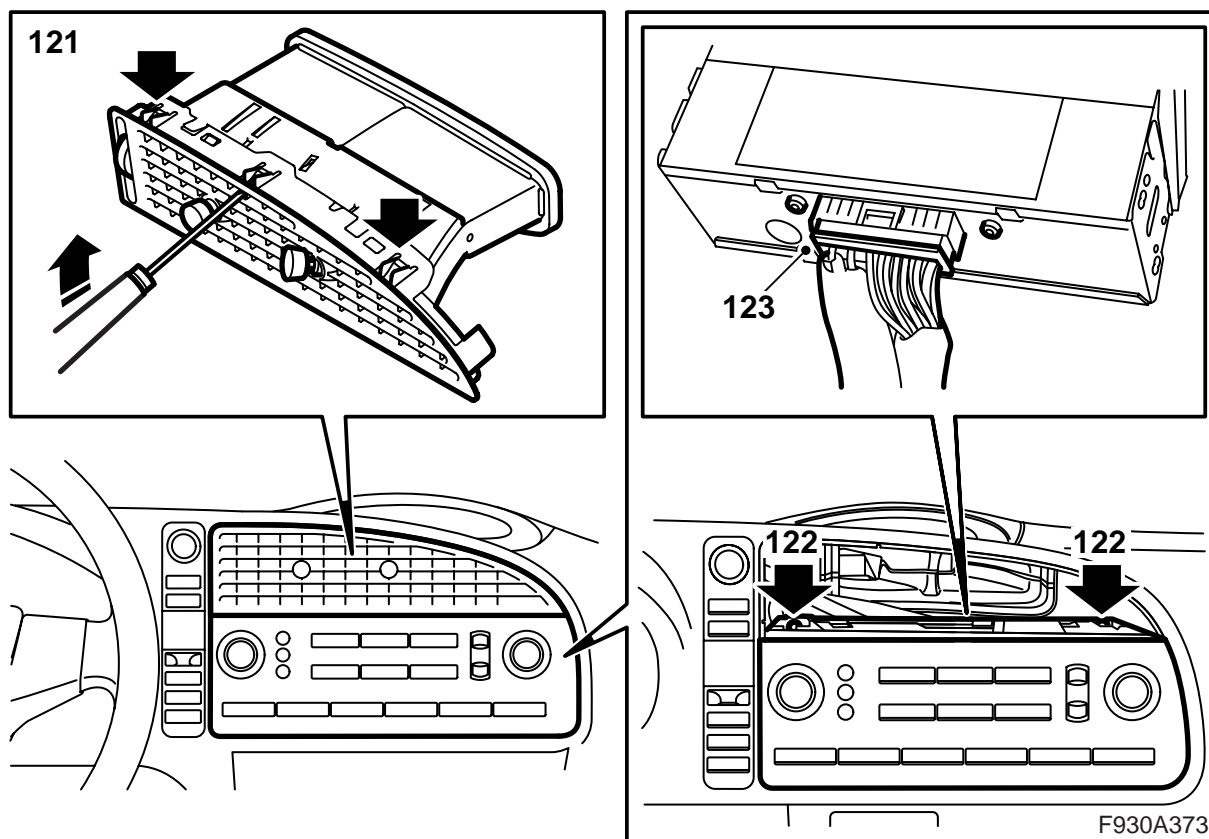
119 Fit the panel in the luggage compartment's left-hand side trim.

Important

If the bracket for the DVD player was not fitted earlier then the new panel must be fitted.

M03: Raise the panel on the right-hand side.

120 Lower the luggage compartment floor.



121 Remove the centre air vent in the dashboard by carefully bending in the hooks accessible through the grille.

Note

Take care to bend the correct hooks. Hooks holding together the air outlet are also visible behind the grille.

122 Remove the retaining screws for the infotainment control panel.

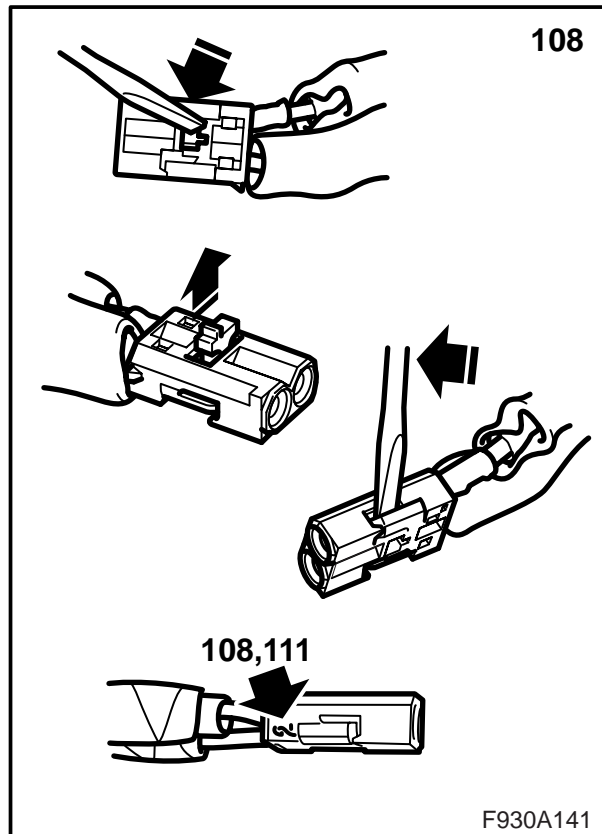
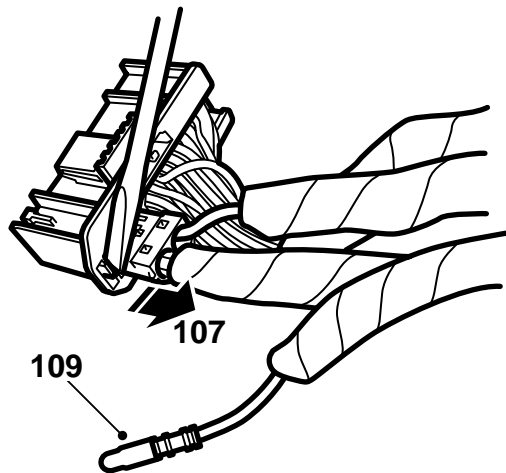
123 Remove the control panel and remove the connector.

WARNING

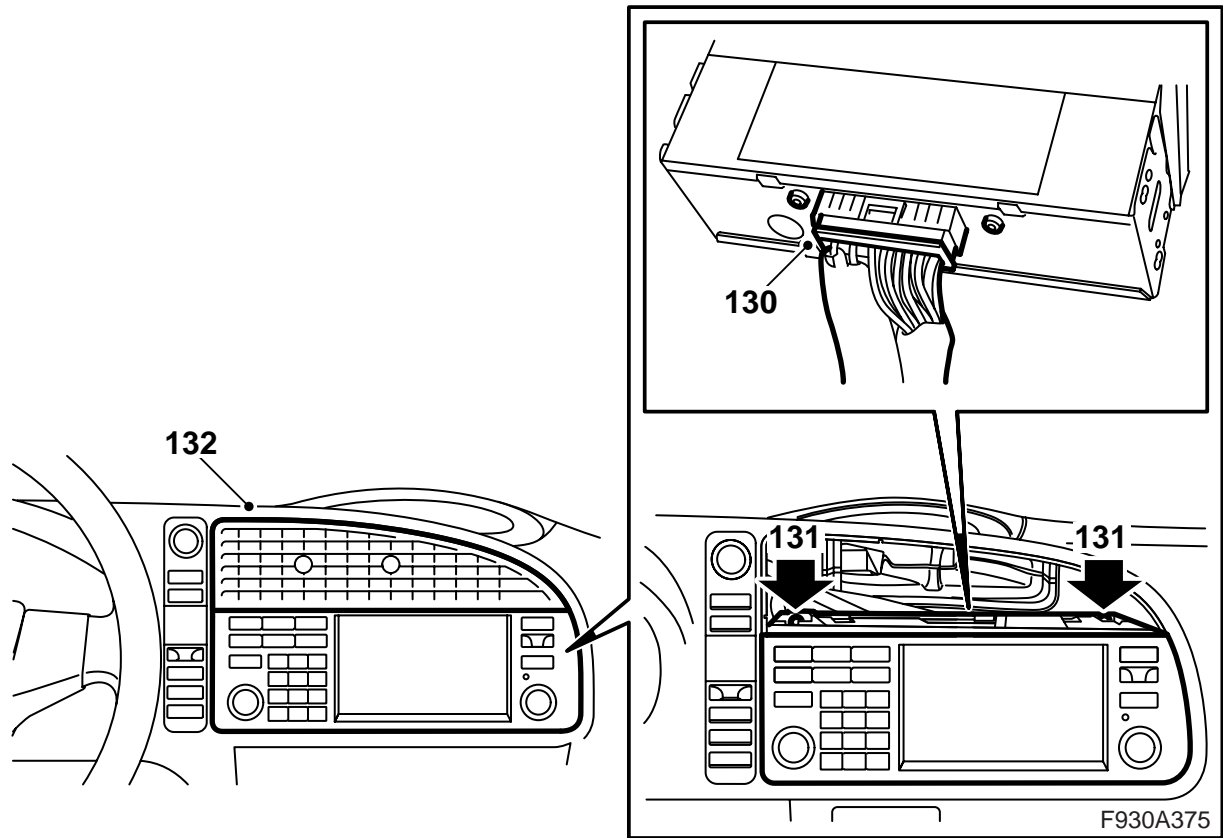
The visible red light is a class 1 laser. Do not look directly into the optical fibre or the control module connector at close range. A distance of less than 20 mm between your eyes and the light source may cause eye injury.

M03: Continue with step 124.

M04-: Continue with step 130.



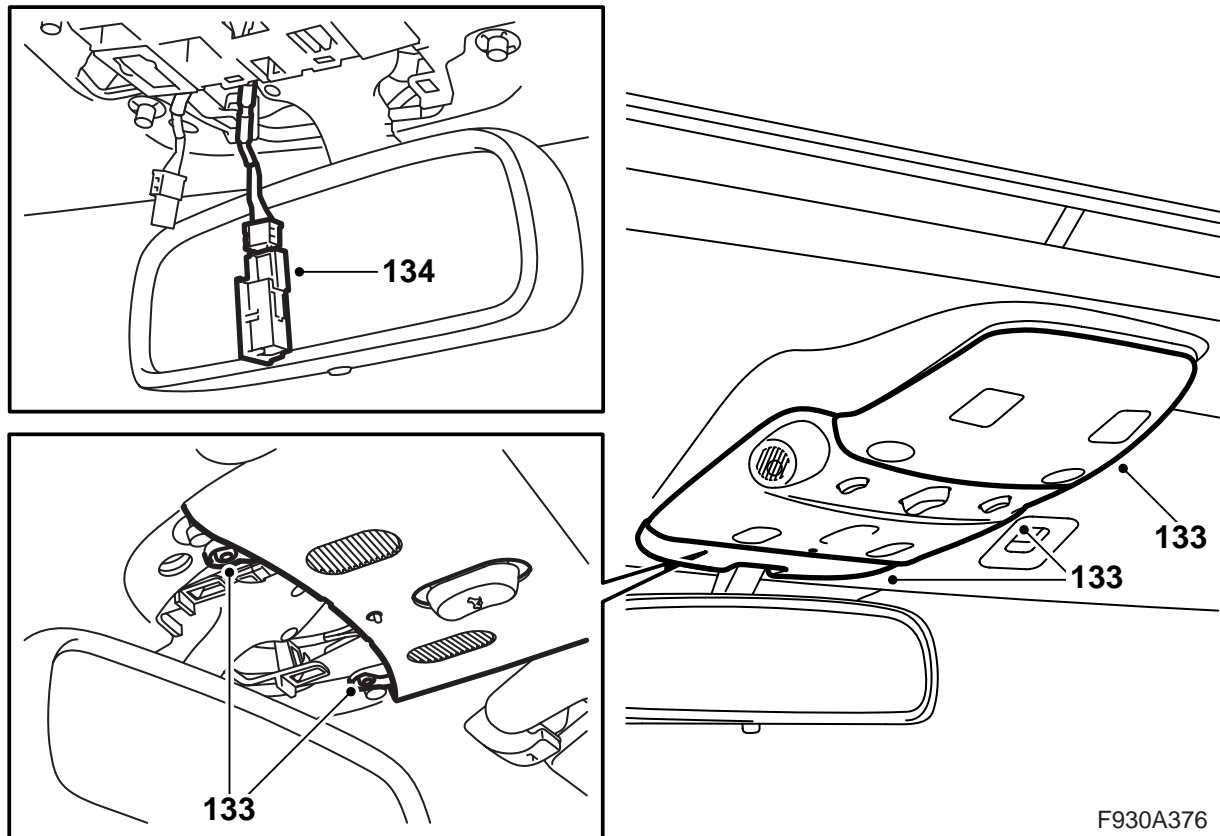
- 124 Remove the fibre optic cable connector (the small connector) from the control panel connector.
- 125 Remove the fibre optic cable which is connected to position 2 by opening the connector locking clip and carefully lifting the hook.
- 126 Locate the third fibre optic cable and remove the protective cover from the fibre optic cable connection.
- 127 Fit the protective cover onto the removed fibre optic cable connection and carefully move the fibre optic cable aside in order to prevent damage.
- 128 Fit the blue marked fibre optic cable (which was not connected) behind the control panel to position 2. Fit the lock.
- 129 Fit the small connector to the large connector.



130 Connect the connector to the kit's control panel.

131 Fit the control panel.

132 Position and fit the air vent.



F930A376

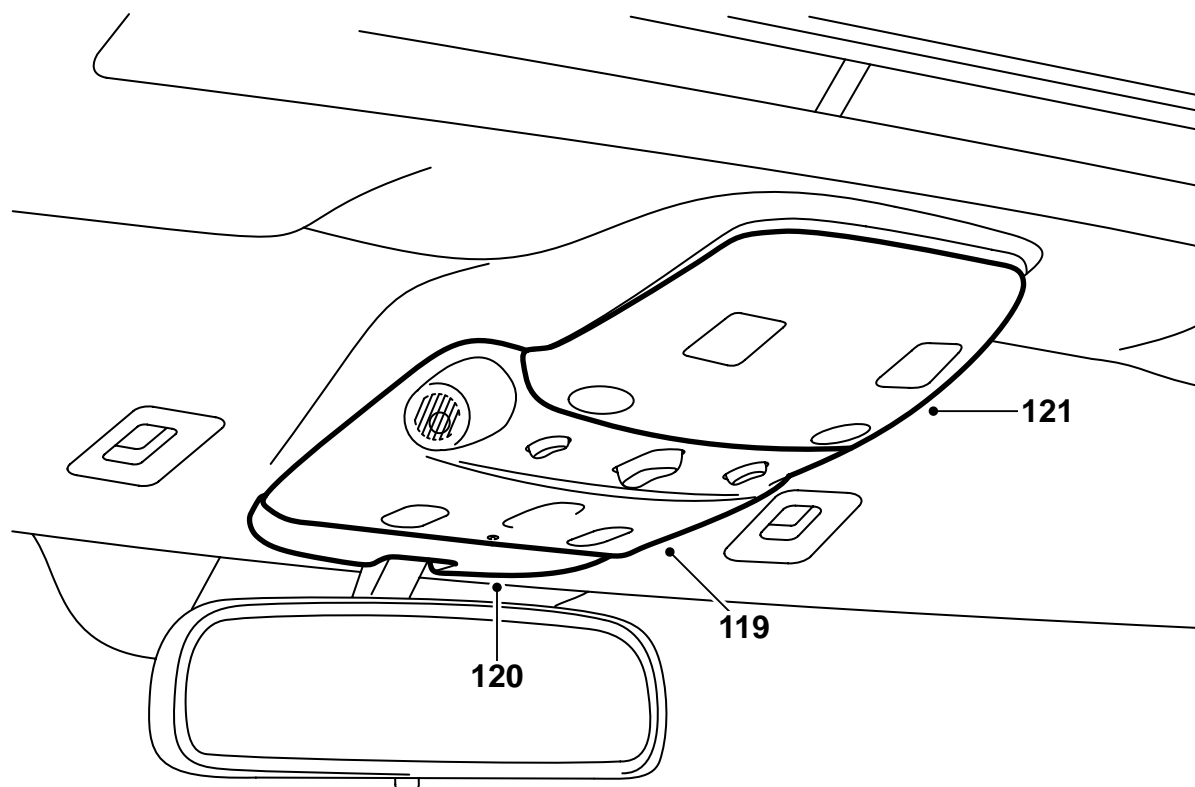
133 Cars without integrated telephone or navigation installation fittings: Remove the rear, centre and front sections of the roof lighting cover. Tool 82 93 474 is recommended.

Important

The centre section is fitted with two screws.

134 Cars without either telephone or telephone installation fittings: Locate the unmarked connector with two cables. Connect the connector to the microphone. Fit the microphone on the left-hand side (LHD) or the right-hand side (RHD). Remove the piece of tape covering the opening for the microphone.

Cars with handsfree kit for mobile telephone: Locate the unmarked connector with two cables. Connect the connector to the microphone. Fit the microphone on the right-hand side (LHD) or the left-hand side (RHD). Remove the piece of tape covering the opening for the microphone.



F930A144

135 **Cars without integrated telephone:** Fit the centre section of the roof lighting cover.

136 **Cars without integrated telephone:** Fit the front section of the roof lighting cover.

137 **Cars without integrated telephone:** Fit the rear section of the roof lighting cover.

138 Connect the negative battery cable.

139 Synchronise remote control code by inserting the key into the ignition.

Important

Repeat this procedure with all keys. Otherwise, the remote controls will not function.

140 Adjust the time and date.

141 Activate window lift pinch protection function by operating the side windows up and down twice. An audible confirmation will sound when activation is complete.

142 **Cars where the left-hand front seat is electrically adjustable:** Reset the position of the seat if it has been changed.

143 Connect the diagnostic tool, select car and model year, select "All", select "Add/Remove", select the accessory and then "Add".

Note

The diagnostic tool will on some occasions need to retrieve a security code in TIS. Information on what to do will be displayed on the diagnostic tool display.

144 Place the map disc in the DVD player, check the system by test driving the car until the navigation system makes contact with the satellites. The map should display on the screen.