

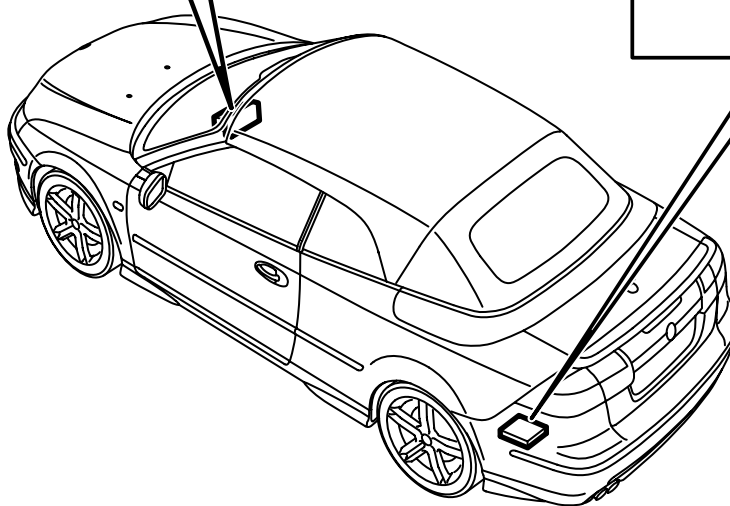
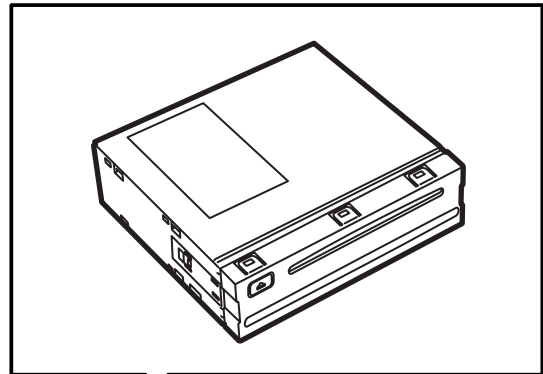
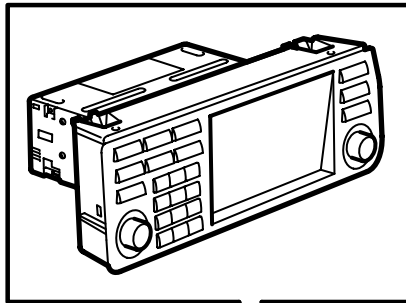


**MONTERINGSANVISNING · INSTALLATION INSTRUCTIONS
MONTAGEANLEITUNG · INSTRUCTIONS DE MONTAGE**

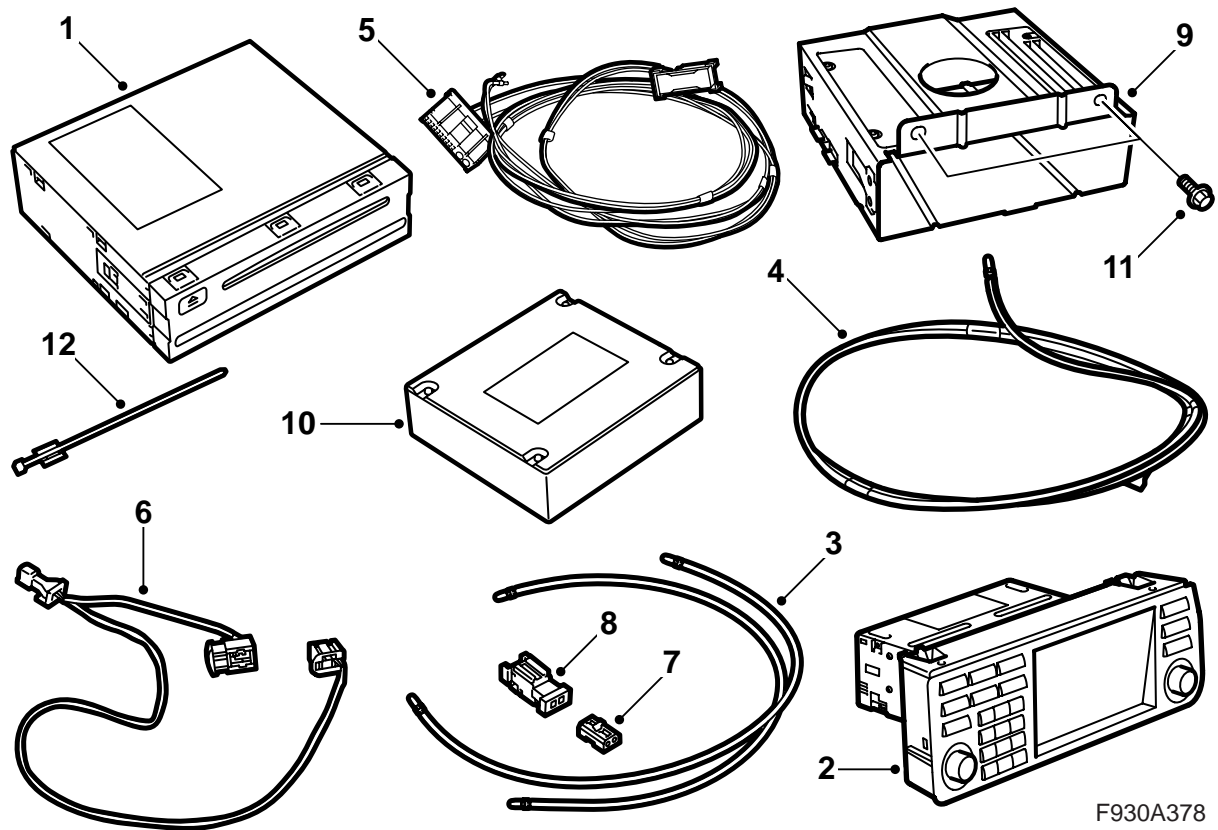
Saab 9-3 CV M04-

Navigation system

Accessories Part No.	Group	Date	Instruction Part No.	Replaces
12 832 506 12 832 507 12 832 520 12 832 522	9:51-03	Jan 04	12 832 516	12 832 516 Aug 03



F930A259



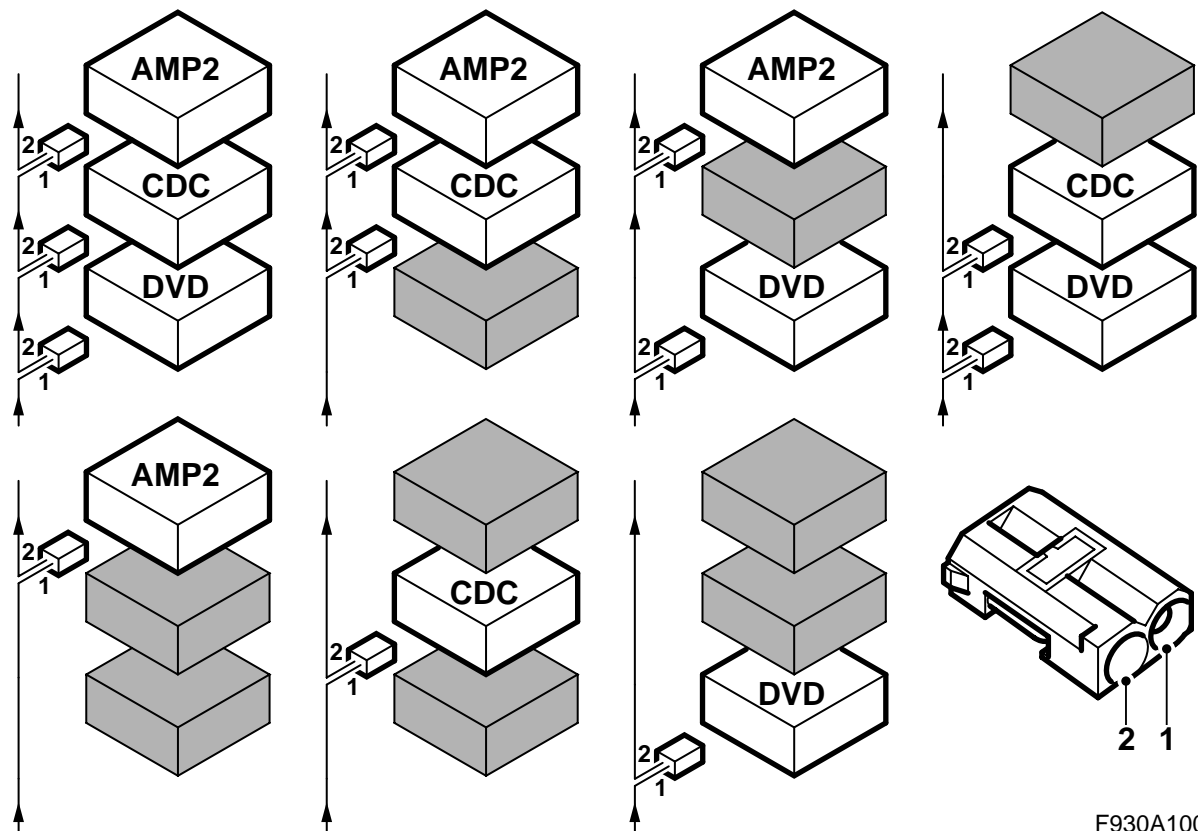
F930A378

- 1 DVD player
- 2 Control panel
- 3 Fibre optic cable (x3)
 - Between the units in the luggage compartment console (455 mm long)
 - Amplifier - DVD player (1850 mm long)
 - DVD player - Torsion compartment (1195 mm long)
- 4 Fibre optic cable (A-pillar - Torsion compartment, 2770 mm long)
 - (only in kit 12 832 520 and 12 832 522)
- 5 Wiring harness with fibre optic cable
 - (only in kit 12 832 520 and 12 832 522)
- 6 Wiring harness
- 7 Optical cable connector, 2-pin
 - (x1 in kit 12 832 506 and 12 832 507)
 - (x2 in kit 12 832 520 and 12 832 522)
- 8 Optical cable connector, 2-pin
 - (only in kit 12 832 506 and 12 832 507)
- 9 Bracket for telematics unit
 - (only in kit 12 832 520 and 12 832 522)
- 10 Telematics unit
 - (only in kit 12 832 520 and 12 832 522)

- 11 Bolt (x2)
 - (only in kit 12 832 520 and 12 832 522)
- 12 Cable tie
 - (x1 in kit 12 832 506 and 12 832 507)
 - (x17 in kit 12 832 520 and 12 832 522)

In addition, the following items are required (ordered separately)

- Console for equipment in the luggage compartment (certain cars)
- Antenna kit (certain cars)
- Microphone (certain cars)



F930A100

Bus Communication

Many parts of the car's electrical system communicate using a bus. There are three types of bus communication: P-bus (Powertrain Bus), I-bus (Instrument Bus) and O-bus (Optical bus). The audio system communicates via the O-bus together with the navigation system, the telephone system and others.

The O-bus is optical and is a ring bus. Two fibre optical cables are connected to each control module on the bus, one fibre optical cable for receiving and one for sending. Messages received are converted by each control module from a fibre optic signal to electrical and then converted back to optical for sending. The O-bus data transfer rate is 25 Mbit/s.

Important

It is very important that everything connected to the O-bus is connected in a specific order, see illustration, and that the ring is closed the whole time.

Connection in any other way than that described in these fitting instructions may result in several of the car's systems failing to work.

AMP1 is an amplifier behind the left-hand rear side trim

AMP2 is an amplifier by the REC

CDC is a CD changer by the REC

DVD is a DVD player by the REC

When fitting new equipment to be connected to the O-bus it is important that it is connected into the correct side of the existing equipment.

Important

Handle the fibre-optic cables with care or the signal may be distorted.

- It is very important that the two leads in the connector are not confused with one another.
- Do not splice the cables.
- Do not bend the cable in a radius smaller than 25 mm.
- Do not expose the cable to temperatures exceeding 85°C.
- Keep the cable ends free from dirt and grime.
- Do not expose the cable to impact as this may cause the transparent plastic to whiten, thereby reducing the intensity of the light and causing possible communication interruptions.
- The cable should not lie against any sharp edges as this may cause increased signal reduction.

Important

In cars where the left-hand front seat is electrically adjustable and there is no bracket at the REC, the left-hand front seat must be positioned in its most forward position and with the backrest folded forwards.

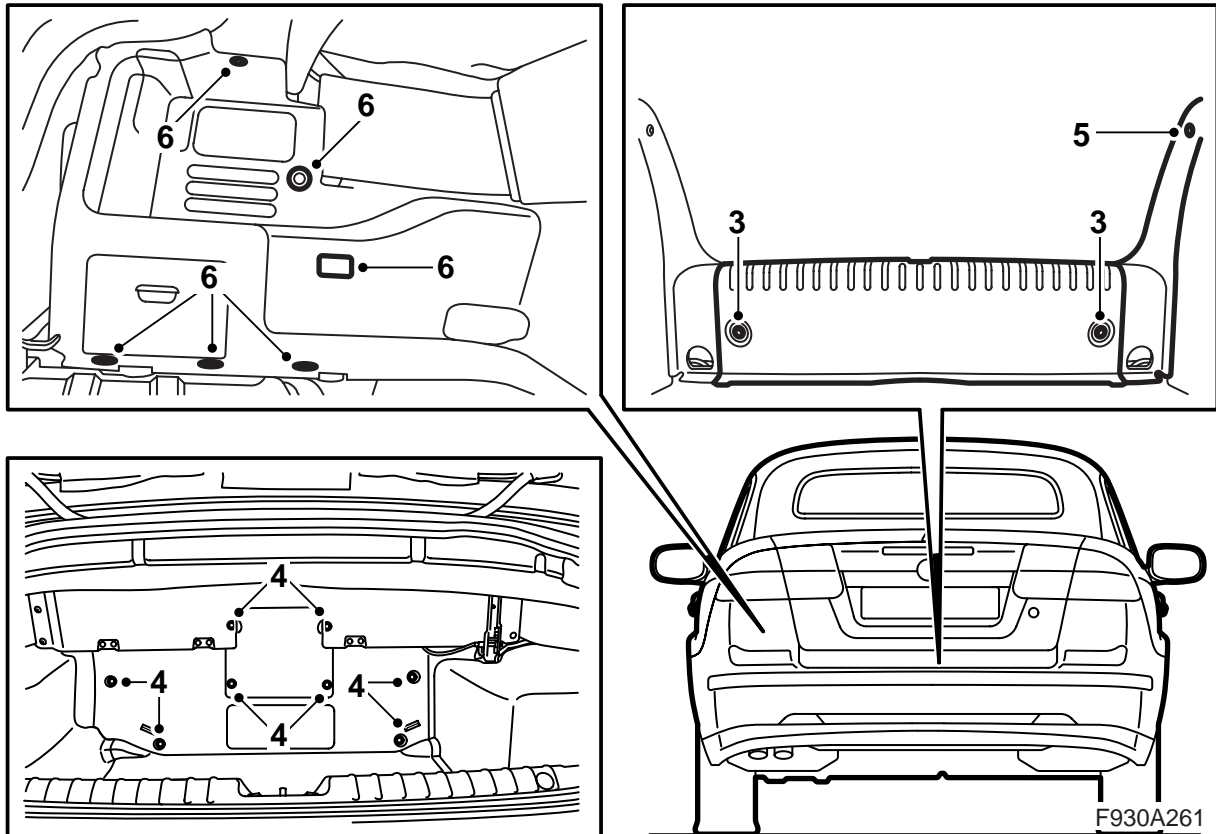
- 1 Connect the diagnostic tool and disconnect the infotainment system control panel from the car.

Important

The control module is sensitive to electrostatic discharges. To avoid damaging the internal components in the control module, a replacement must be made with care in the following way:

- Never touch the pins on a control module with hands or clothes.
- Ground yourself by touching the car's body/engine. Remove the connector on the car's control module.
- Ground yourself by touching the car's body/engine. Connect the connector on the car's control module.
- Deposit the replaced control module in the returns packaging without touching its pin.
- Keep the new control module in its packaging as long as possible.

Go into the menu "All" and choose the control module under "Add/Remove". Then choose "Remove" and follow the instructions. The ignition key must be in the ON position. TIS2000 may need to be used. When the control module is separated from the car the ignition key must be turned to the OFF position. Following which the control module can be removed.



- 2 Raise the soft top and open the boot lid.
- 3 Remove the carpet on the luggage compartment floor and remove the luggage compartment scuff plate.
- 4 Remove the rivets and lift out the front section of the luggage compartment trim.
- 5 Remove the side scuff plate on the left-hand side.
- 6 Remove the clips for the left-hand side trim and fold the trim aside. Unhook the strap on the rear side of the side trim and remove the connector from the luggage compartment lighting. Remove the side trim.
- 7 Check from the luggage compartment if there is a connection for the antenna cable in the centre of the torsion compartment and if a telematics unit is fitted in the centre of the torsion compartment. If there is a telematics unit fitted then it must be removed without the connector being removed.

No antenna cable connection: Continue with step 8.

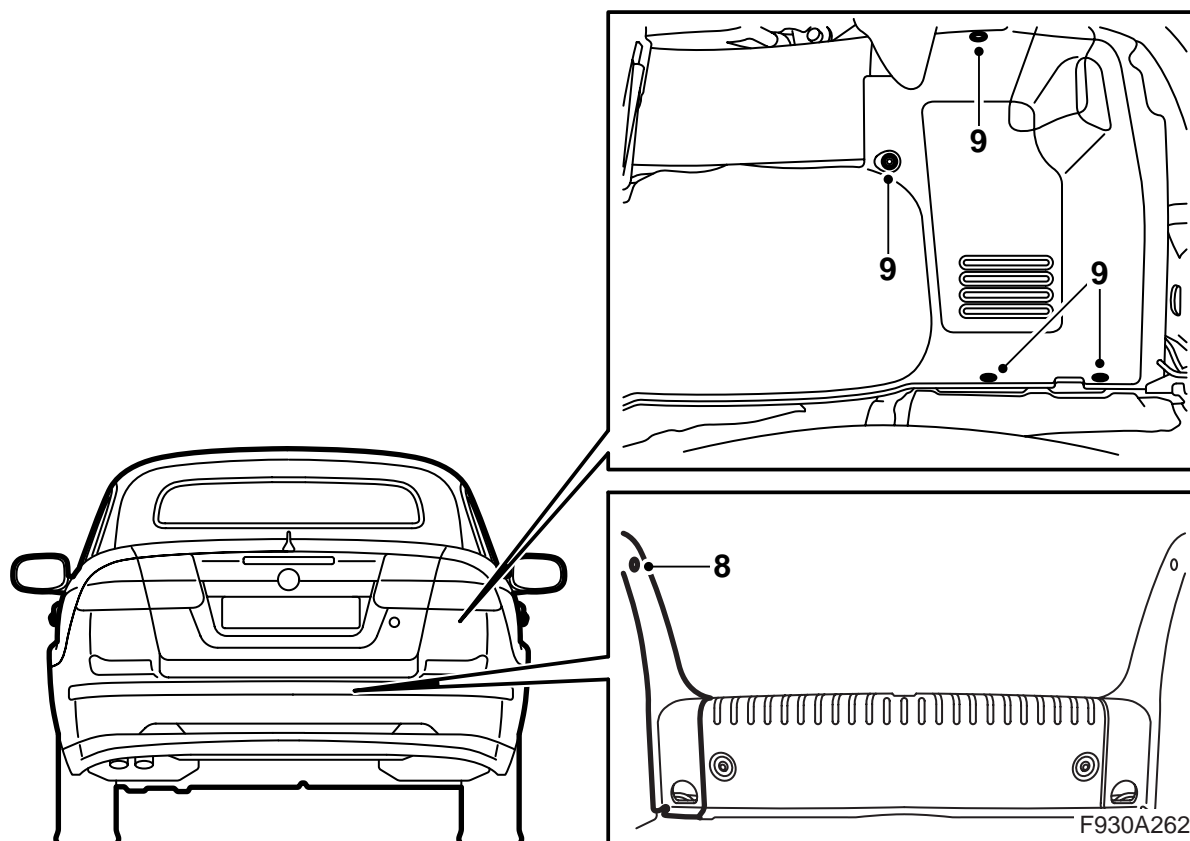
There is only one violet antenna cable connection and there is no telematics unit: Continue with step 8.

There is only one blue antenna cable connection and there is no telematics unit: Continue with step 10.

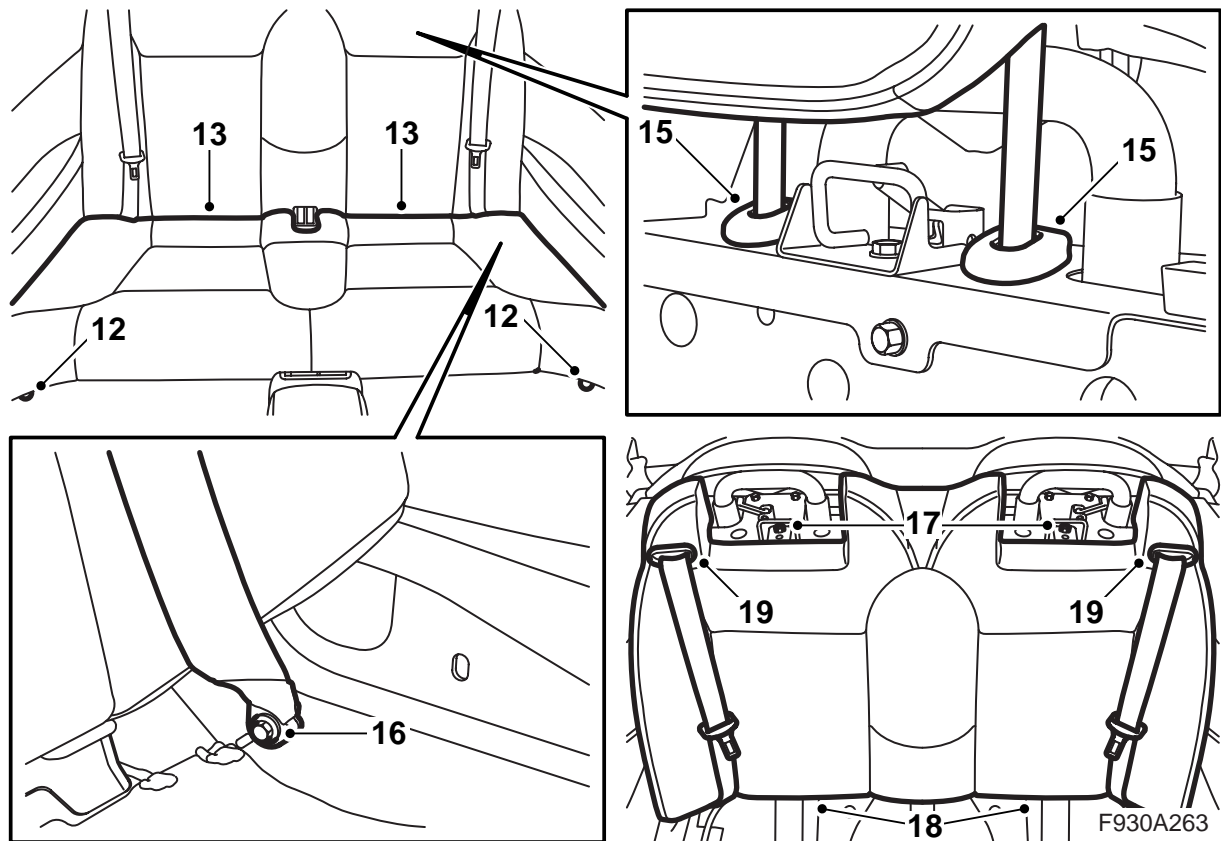
There is only one violet antenna cable connection, there is a telematics unit: Continue with step 8.

There are two antenna cable connections, but there is no telematics unit: Continue with step 10.

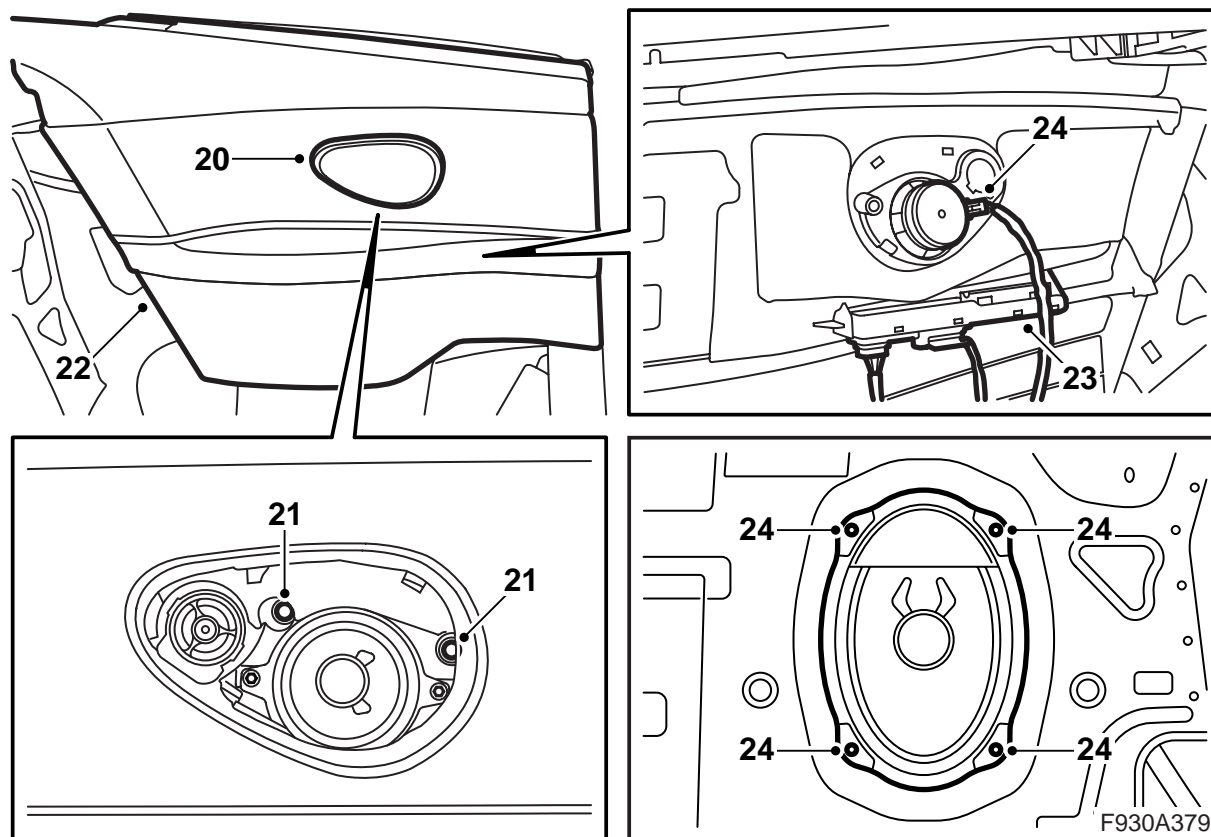
There are two antenna cable connections, there is a telematics unit, but only the violet antenna cable is connected to the telematics unit: Continue with step 10.



- 8 Remove the side scuff plate on the right-hand side.
- 9 Remove the clips for the right-hand side trim and fold the trim aside. Unhook the strap on the rear side of the side trim and remove the side trim.
- 10 Fold down the soft top completely, but allow the soft top cover to remain open.
- 11 Open the rear side window fully.



- 12 Remove the screws which hold the rear seat cushion at the front edge.
- 13 Lift up the cushion and pull it forwards so that it loosens.
- 14 Pull up both of the rear head restraints to the highest position.
- 15 Press in the lock on the head restraints' sleeves. Hold the lock pressed in and remove the head restraints.
- 16 Remove the screws for the seat belts' lower mounting.
- 17 Remove the two screws for the back rest cushion upper mounting.
- 18 Pull the back rest cushion lower section forwards and lift the back rest cushion upwards.
- 19 Press out the seat belt guide from the back rest cushion and move the seat belt out from the guide and the back rest cushion.



- 20 Carefully remove the speaker grille from the left-hand rear side trim. Use removal tool 82 93 474.
- 21 Remove the screws which hold the rear side trim on the left-hand side.
- 22 Lift the side trim upwards. Retain any rubber protection.
- 23 Unhook the control module from the side trim, but do not remove the control module connector as this means a diagnostic trouble code being generated.
- 24 Remove the speaker connector and remove the side trim.

Important

If the car has treble speakers the connector must be separated so that the wiring harness between the treble speakers and the mid-range speakers is still connected to the speakers.

Remove the bass speakers or the covers.

- 25 Check once more, in accordance with the following alternatives, whether there is a connection for the antenna cable in the centre of the torsion compartment and whether a telematics unit is fitted in the centre of the torsion compartment. In addition, check whether there is a violet antenna cable splice beside the right-hand seat belt lower mounting. Following which, raise the soft top.

There is no antenna cable connection inside the torsion compartment. There is a violet antenna cable connection at the right-hand seat belt lower mounting: Continue with step 26.

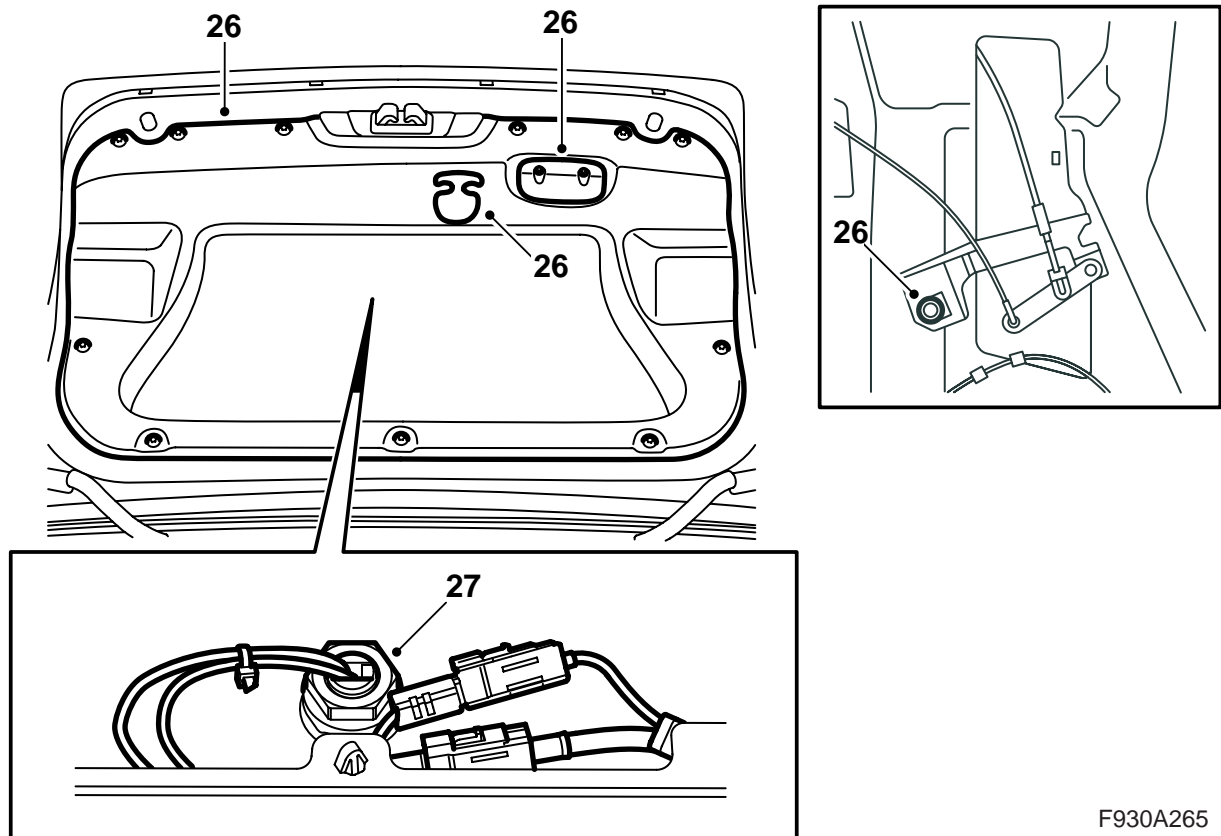
There is only one violet antenna cable connection inside the torsion compartment, but no telematics unit. There is no antenna cable connection at the right-hand seat belt lower mounting: Continue with step 26.

Violet antenna cable connection and telematics unit present. There is no antenna cable connection at the right-hand seat belt lower mounting: Continue with step 26.

There is only one blue antenna cable connection inside the torsion compartment, but no telematics unit. There is a violet antenna cable connection at the right-hand seat belt lower mounting: Continue with step 41.

There are two antenna cable connections inside the torsion compartment, but no telematics unit. There is no antenna cable connection at the right-hand seat belt lower mounting: Continue with step 41.

There are two antenna cable connections inside the torsion compartment, there is a telematics unit but only the violet antenna cable is connected. There is no antenna cable connection at the right-hand seat belt lower mounting: Continue with step 40.



F930A265

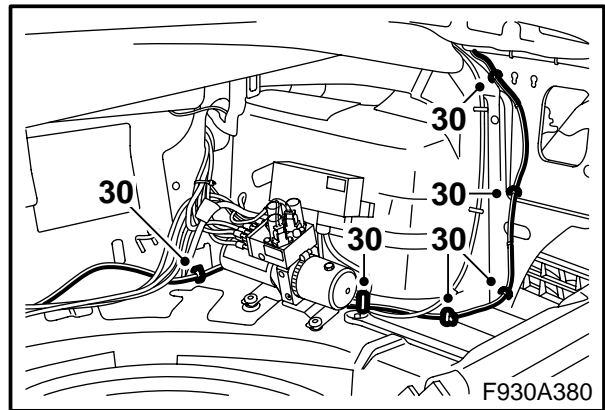
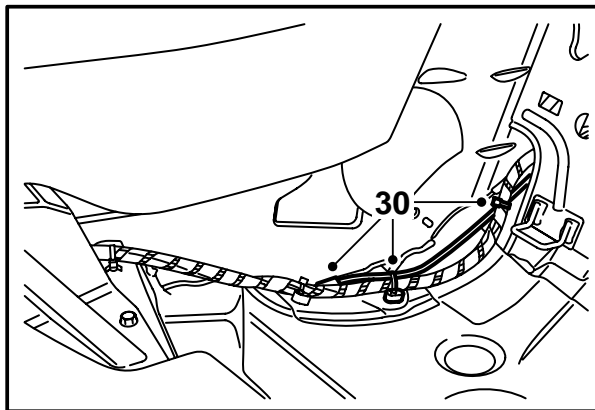
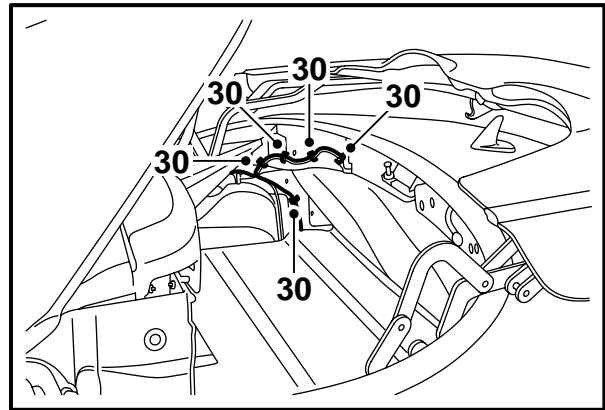
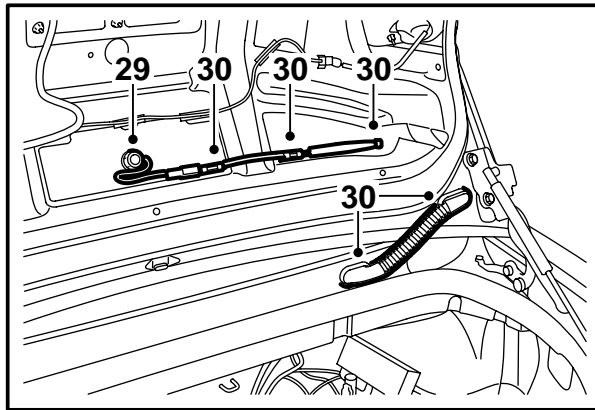
26 Remove the boot lid trim as follows:

- **US:** Remove the emergency opening handle
- Remove the closing handle on the inside of the boot lid, remove the clips and remove the boot lid trim.
- **US:** Remove the screws of the emergency opening mechanism and move the mechanism aside.

27 Remove the antenna cable from the antenna and remove the antenna.

28 **Cars with an antenna cable that runs further than the centre of the torsion compartment:**
Continue with step 36.

Cars with antenna cable that runs further forward in the car: Continue with step 29.



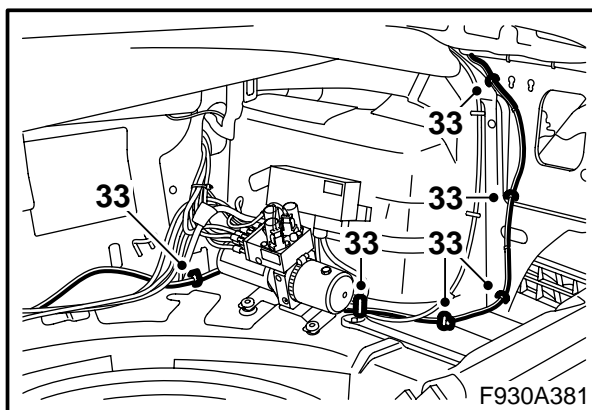
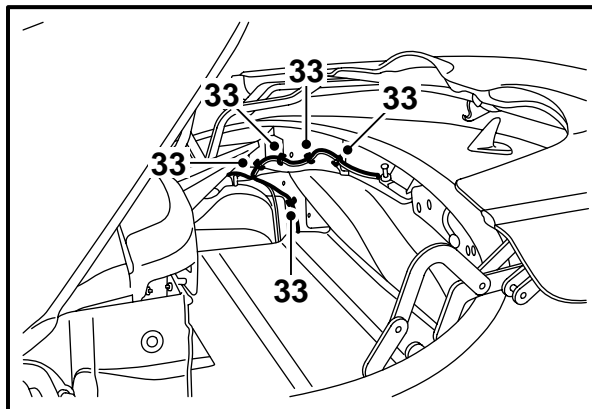
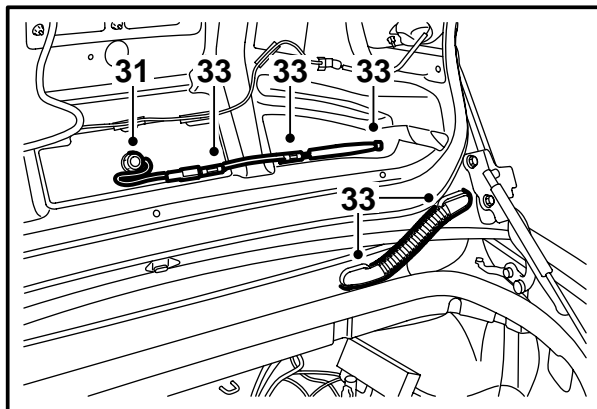
- 29 Take the antenna from the kit and run the antenna cables through the hole in the boot lid. Fit the antenna.

Tightening torque 2 Nm (1.5 lbf ft)

- 30 Remove the existing antenna cable completely from the splice at the rear seat. The antenna cable consists of cables for both telephone antenna and radio antenna, so the connectors for the radio antenna cable must also be detached. These connectors must be pushed together completely so that the lock releases.

Note

The boot lid must be closed and the soft top cover open in order to gain access to the whole antenna cable.

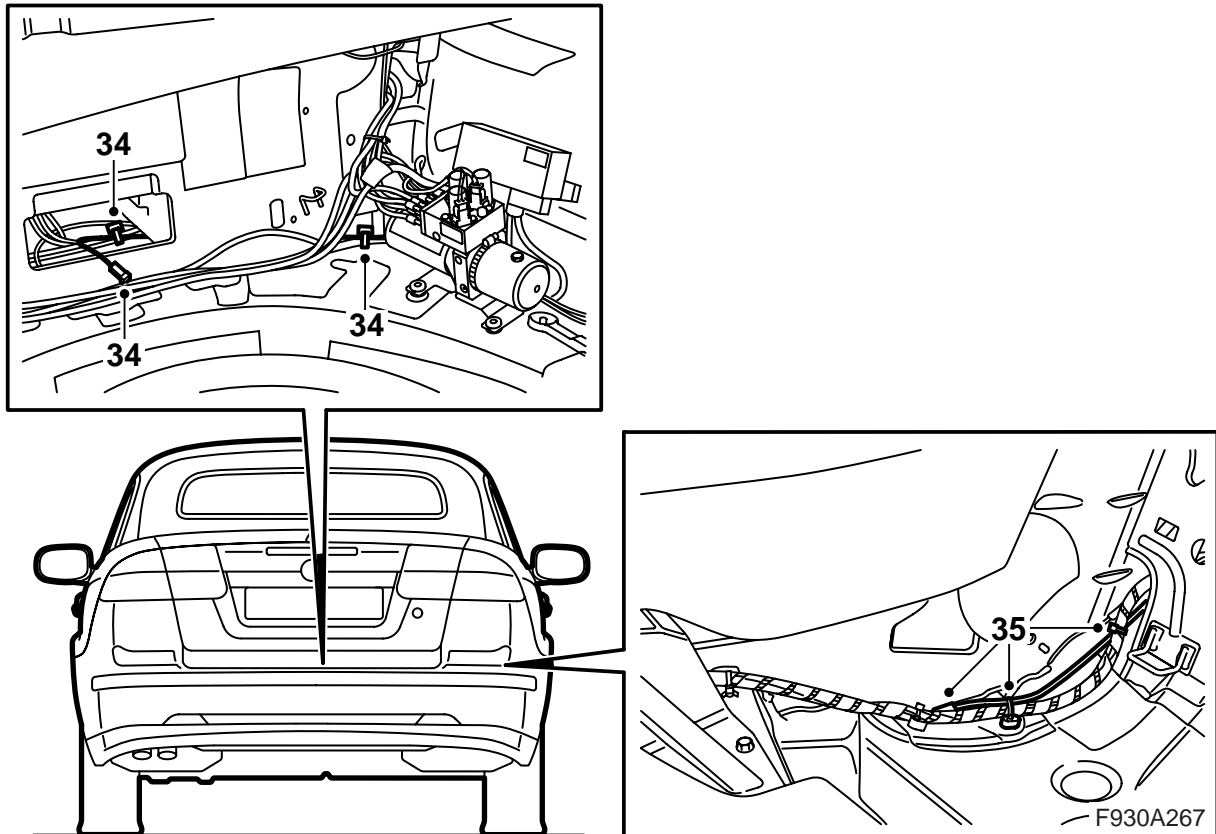


- 31 Fit the kit's antenna cable in the boot lid and connect it to the antenna.
- 32 Run the kit's antenna cable forward to the torsion compartment in the same way as the old cable.

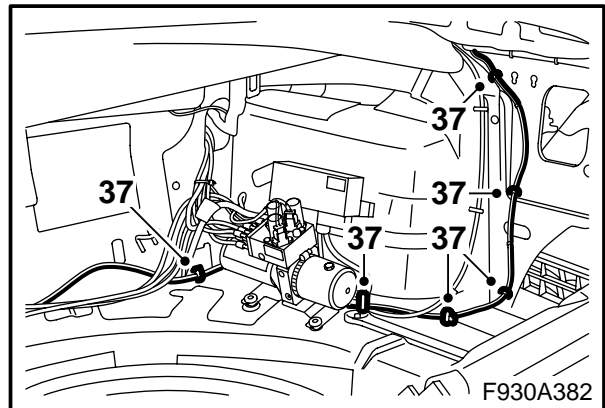
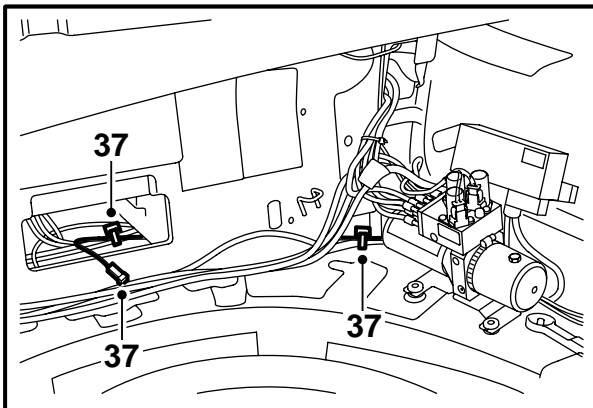
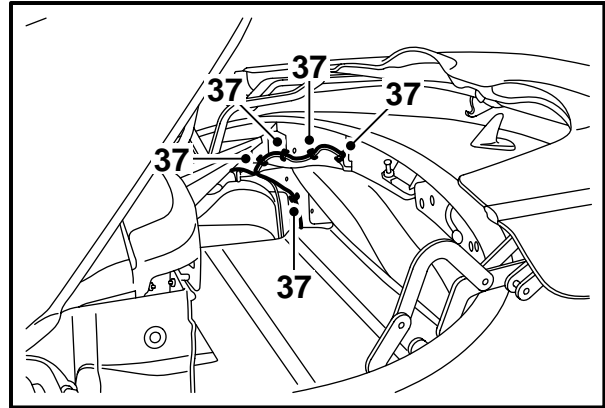
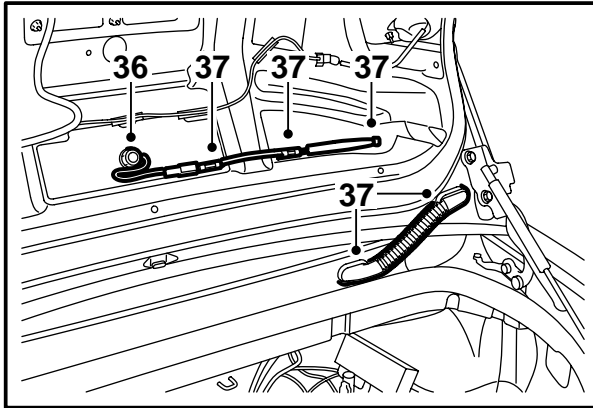
Note

The boot lid must be closed and the soft top cover open in order to gain access to the whole antenna cable.

- 33 Secure the antenna cable to the body and to the existing wiring harness.



- 34 Run the thin antenna cable with the blue connector into the torsion compartment and up to the centre of the torsion compartment. Secure the antenna cable at the existing wiring harness.
- 35 Run the thick antenna cable with violet connector and the antenna cable with the round connector for the radio antenna through the torsion compartment forward to the rear seat. Connect the thick cable to the antenna cable which runs forward in the car and secure them with cable ties to the existing wiring harness. Continue with step 39.



- 36 Take the antenna from the kit and run the antenna cables through the hole in the boot lid. Fit the antenna.

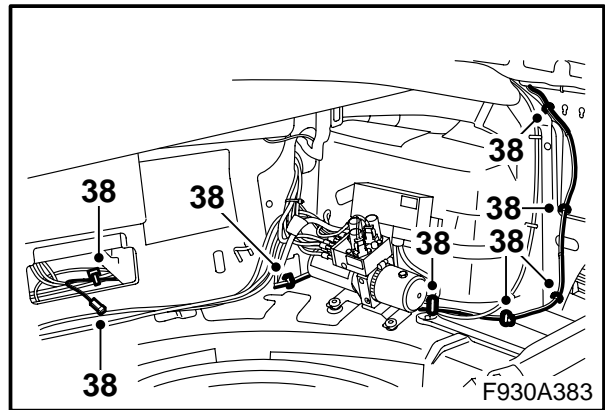
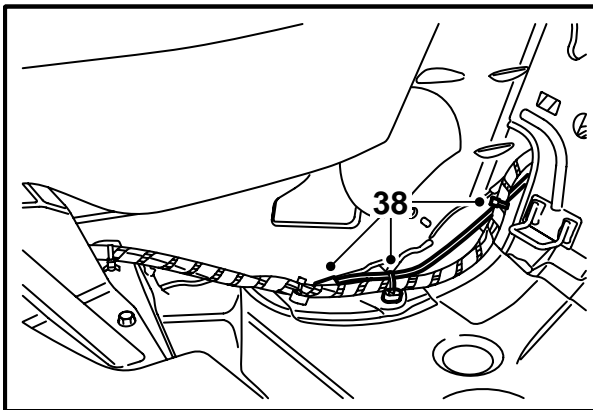
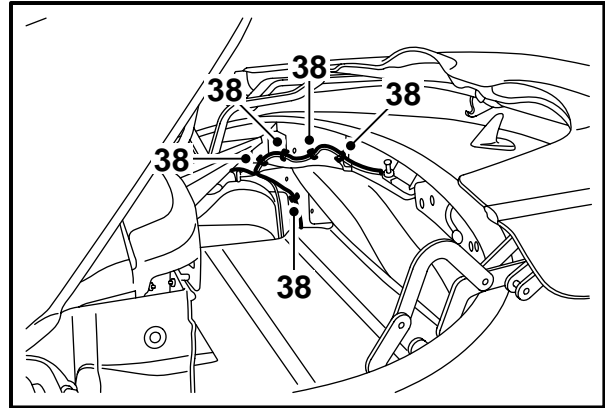
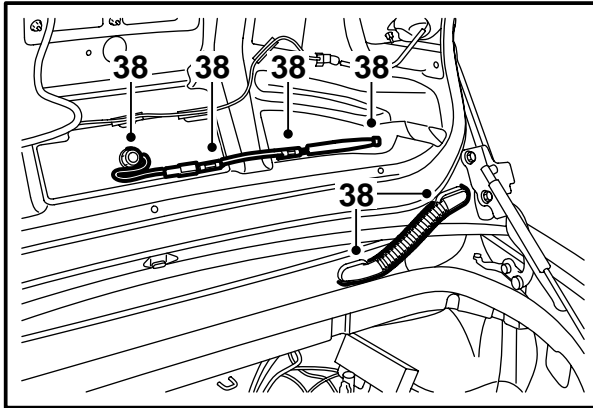
Tightening torque 2 Nm (1.5 lbf ft)

- 37 Remove the existing antenna cable completely right up to the telematics unit (if fitted). The antenna cable consists of cables for both telephone antenna and radio antenna, so the connectors for the radio antenna cable must also be detached. These connectors must be pushed together completely so that the lock releases.

Car with telematics unit: Remove the antenna cable from the telematics unit.

Note

The boot lid must be closed and the soft top cover open in order to gain access to the whole antenna cable.

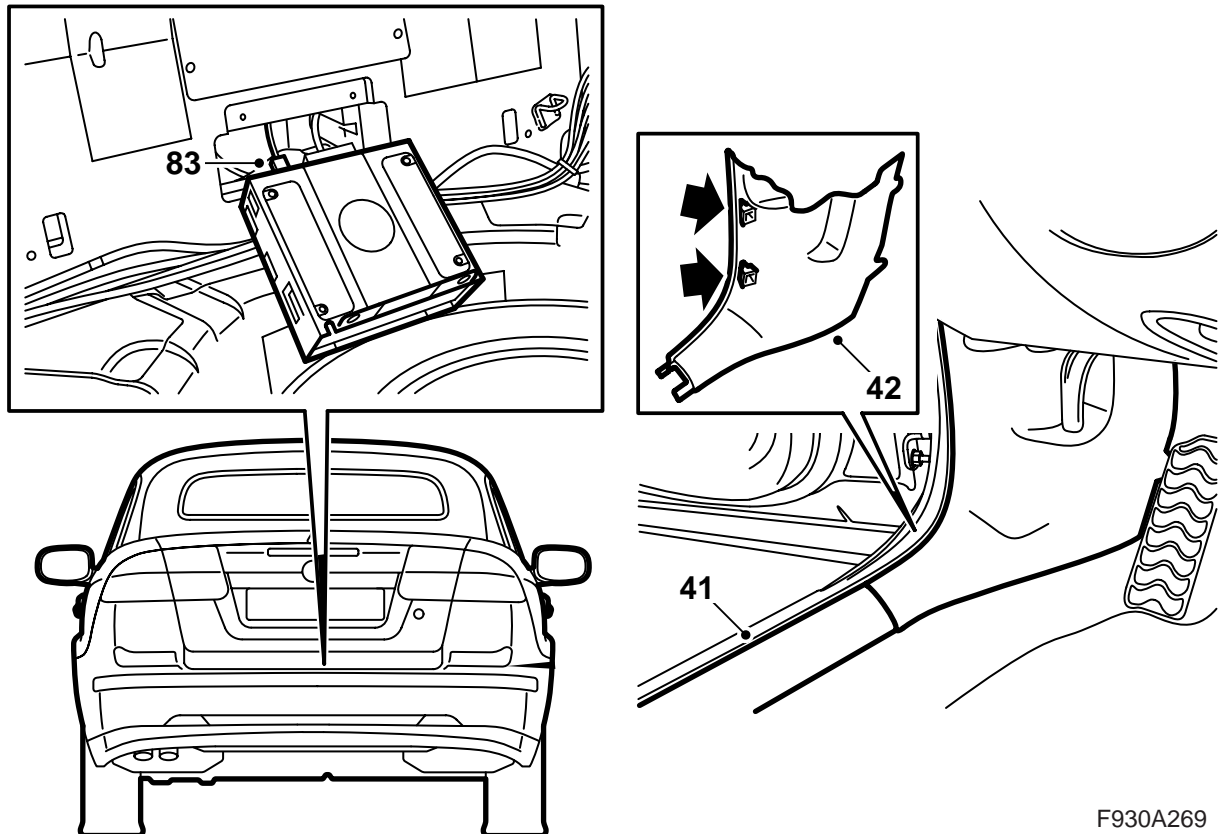


- 38 Fit the kit's antenna cable in the boot lid and connect it to the antenna. Run the kit's antenna cable forward to the torsion compartment in the same way as the old cable and, in addition, run the antenna cable with the round connector for the radio antenna through the torsion compartment forward to the rear seat.

Note

The boot lid must be closed and the soft top cover open in order to gain access to the whole antenna cable.

Secure the antenna cable to the body and to the existing wiring harness.



F930A269

39 **Cars with telematics unit in the centre of the torsion compartment:** Continue with step 40.

Cars without telematics unit in the centre of the torsion compartment: Continue with step 41.

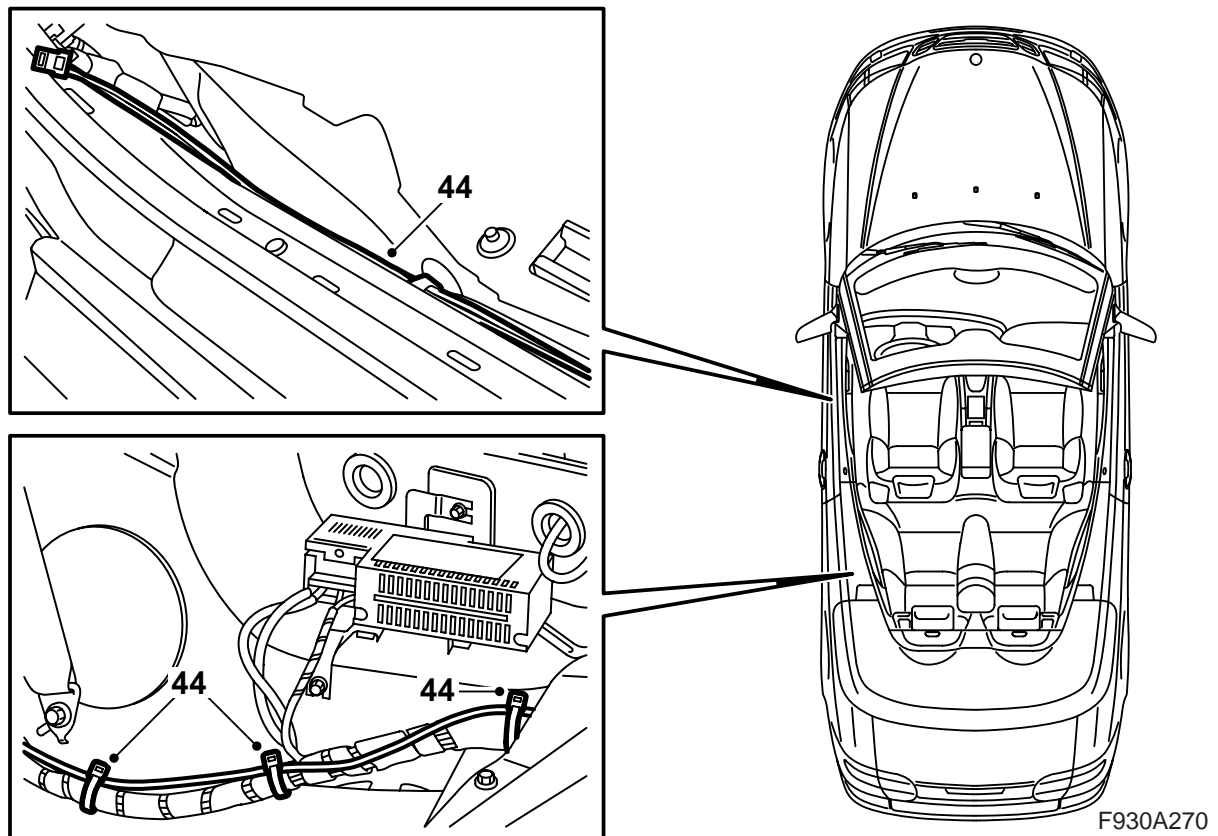
40 Connect the antenna cables to the telematics unit.

Cars with telematics unit in the centre of the torsion compartment and where the bracket is fitted by the REC: Continue with step 106.

Cars with telematics unit in the centre of the torsion compartment but without bracket fitted by the REC: Continue with step 84.

41 Remove the left-hand scuff plate.

42 Remove the lower section of the A-pillar trim on the left-hand side.



F930A270

- 43 **Manual driver's seat:** Position the left-hand front seat in its forward position and fold the backrest forward.
- 44 Take the fibre optic cable, A-pillar - Torsion compartment, from the kit and guide it from the connector at the left-hand lower A-pillar via the wiring harness by the scuff plate, under the rear seat and to the left-hand roll-bar in the torsion compartment. Secure the fibre optic cable with cable ties.

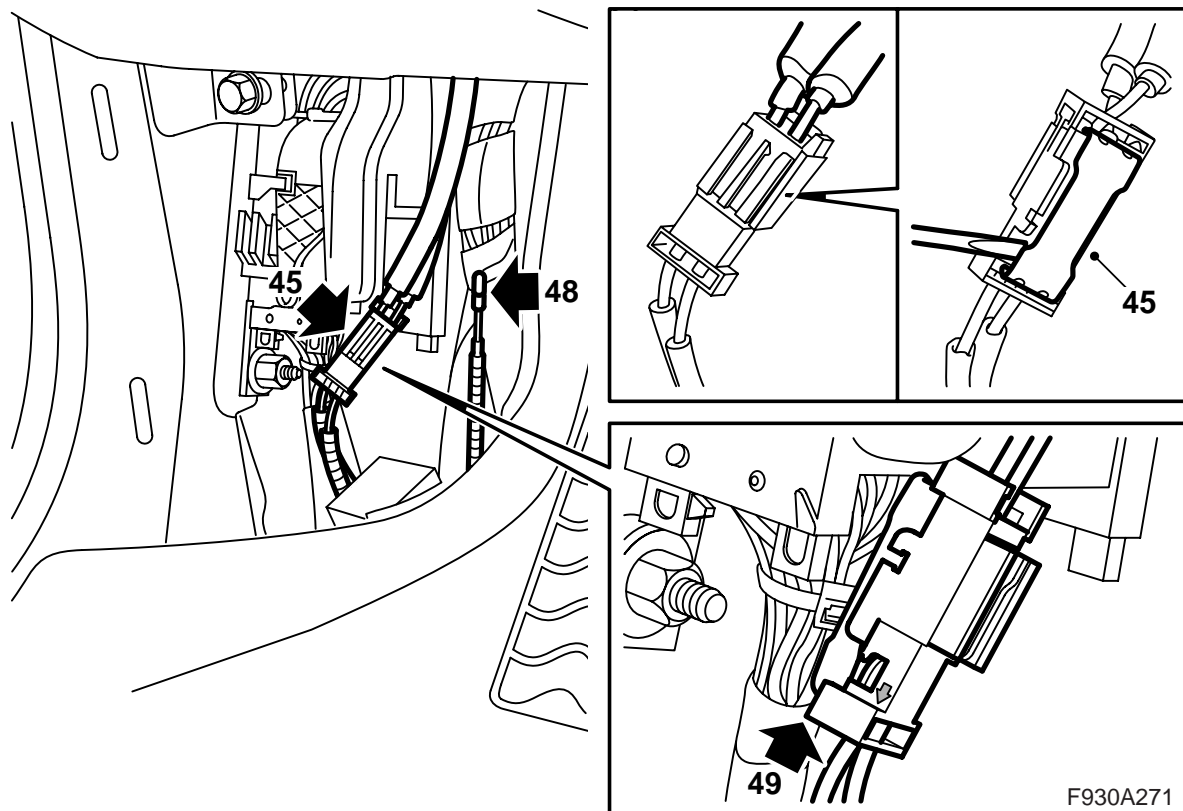
Note

The seat must be pushed to the rear position in order to access the whole route. Following which, push the seat back to the forward position.

Important

Handle the fibre optic cables with care or the signal may be distorted.

- Do not bend the cable in a radius smaller than 25 mm.
- The cables must not be exposed to knocks which cause the transparent plastic to whiten, which means that the light intensity is weakened. Such damage can cause an interruption to communication.
- The cable should not lie against any sharp edges as this may cause increased signal reduction.



45 Disconnect the battery's negative cable. Locate the connector with fibre optic cables connected at the left-hand lower A-pillar (taped to the cable duct) and lift up the connector's lock tab.

⚠ WARNING

The visible red light is a class 1 laser. Do not look directly into the optical fibre or the control module connector when in close proximity to them. The eyes can be damaged if the distance between the light source and the eyes is less than 20 mm.

46 Remove the fibre optic cable from the position in the connector where the arrow points outwards, to the fibre optic cable.

Important

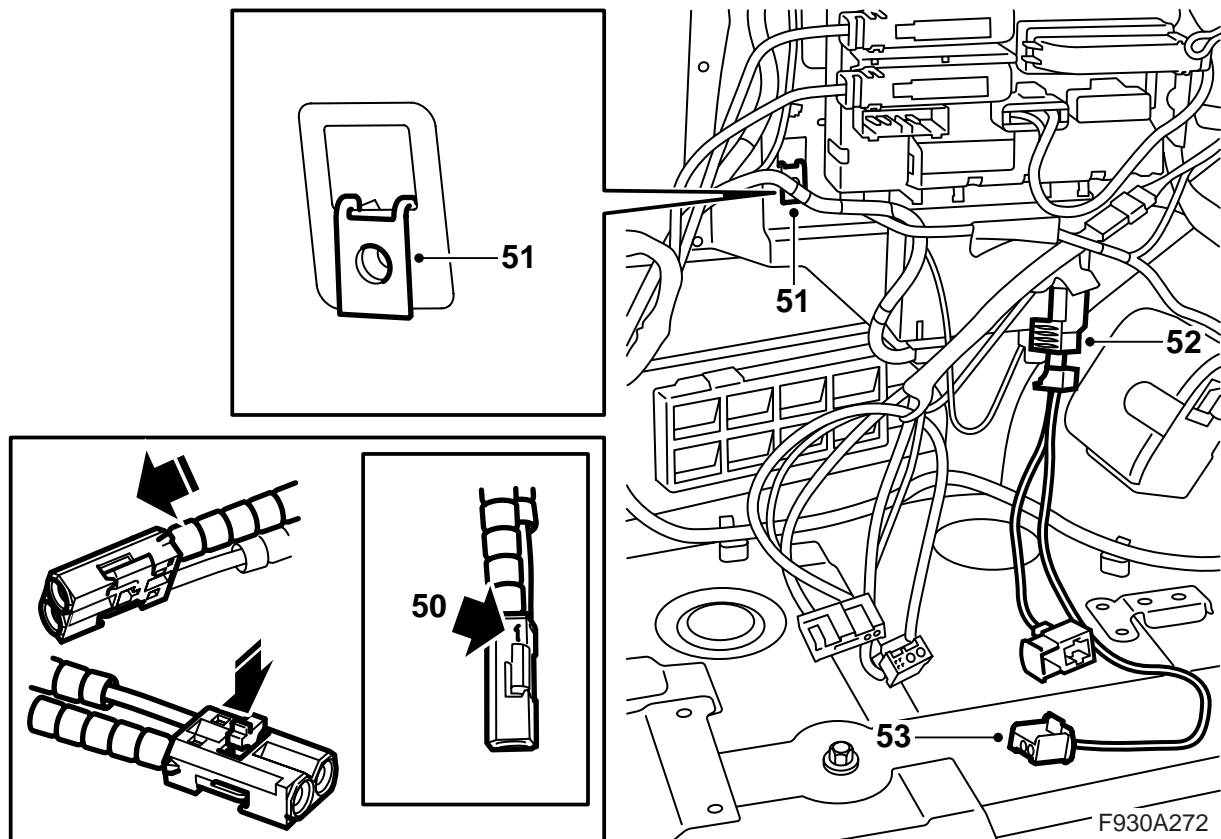
Handle the fibre optic cables with care or the signal may be distorted.

- It is very important that the two cables in the connector are not mixed up.
- Do not bend the cable in a radius smaller than 25 mm.
- Keep the cable ends free from dirt and grime.
- The cable should not lie against any sharp edges as this may cause increased signal reduction.

47 Remove the protector from the connection on the kit's fibre optic cable.

48 Fit the protective cover onto the removed fibre optic cable connection and carefully move the fibre optic cable aside in order to prevent damage, and position it behind the wiring harness.

49 Fit the connection on the fibre optic cable which was fitted in step 44, in the connector and fit the lock tab.



50 Fit the second connection on the fibre optic cable which was fitted in step 44 in position 1 in the kit's connector.

Cars with bracket at the REC: continue with step 66.

Cars without bracket at the REC: Continue with step 51.

51 Fit the clip nut in the square hole at the REC and fit the bracket in the luggage compartment.

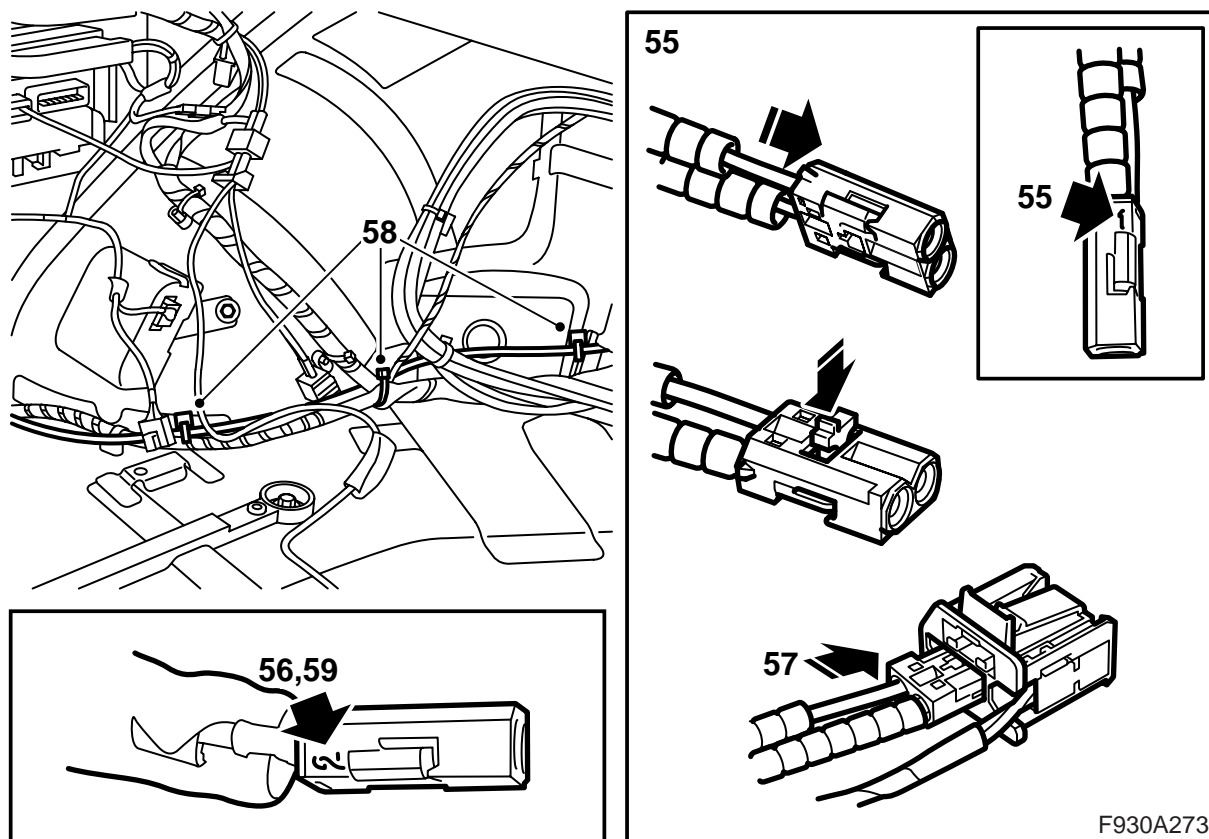
52 Locate the connector for the DVD player at the REC.

53 Connect the kit's wiring harness to the connector.

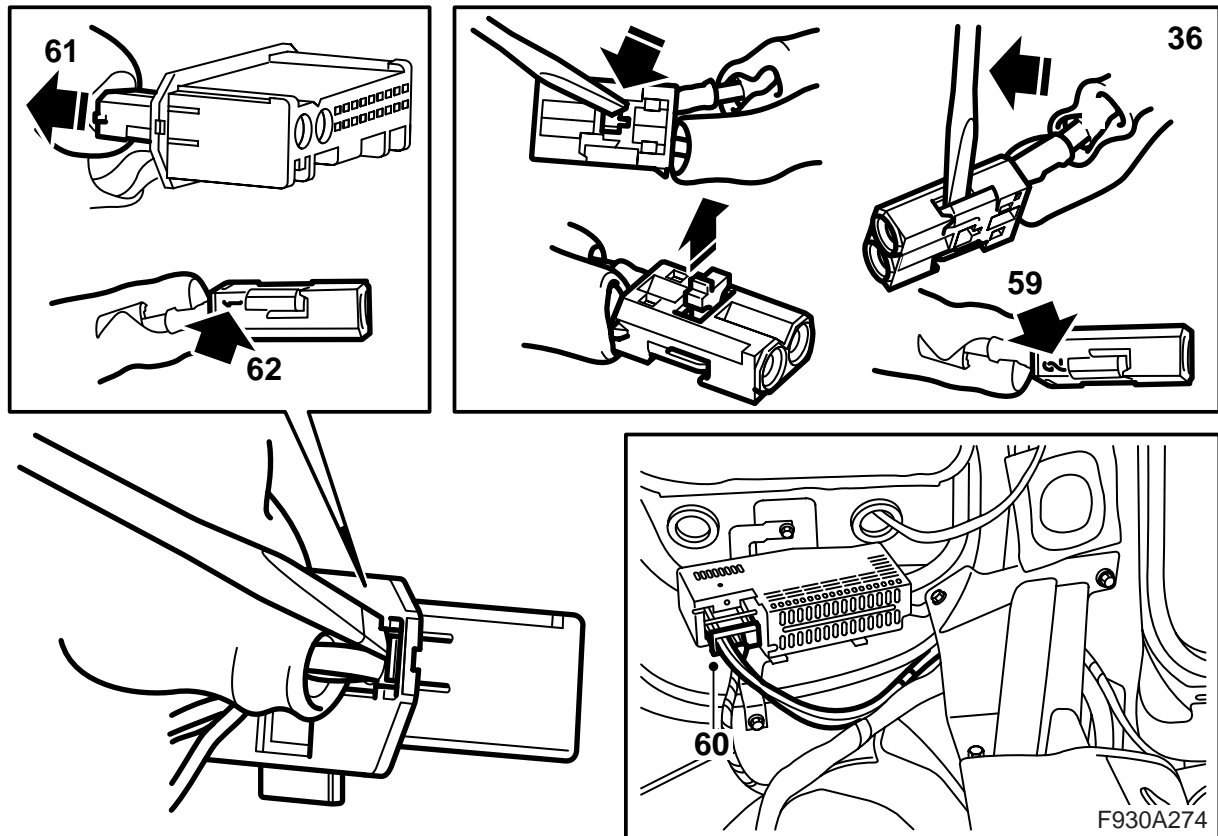
54 Remove the protective covers from the connections at one end of the kit's fibre optic cables (DVD player - torsion compartment and DVD player - amplifier).

⚠ WARNING

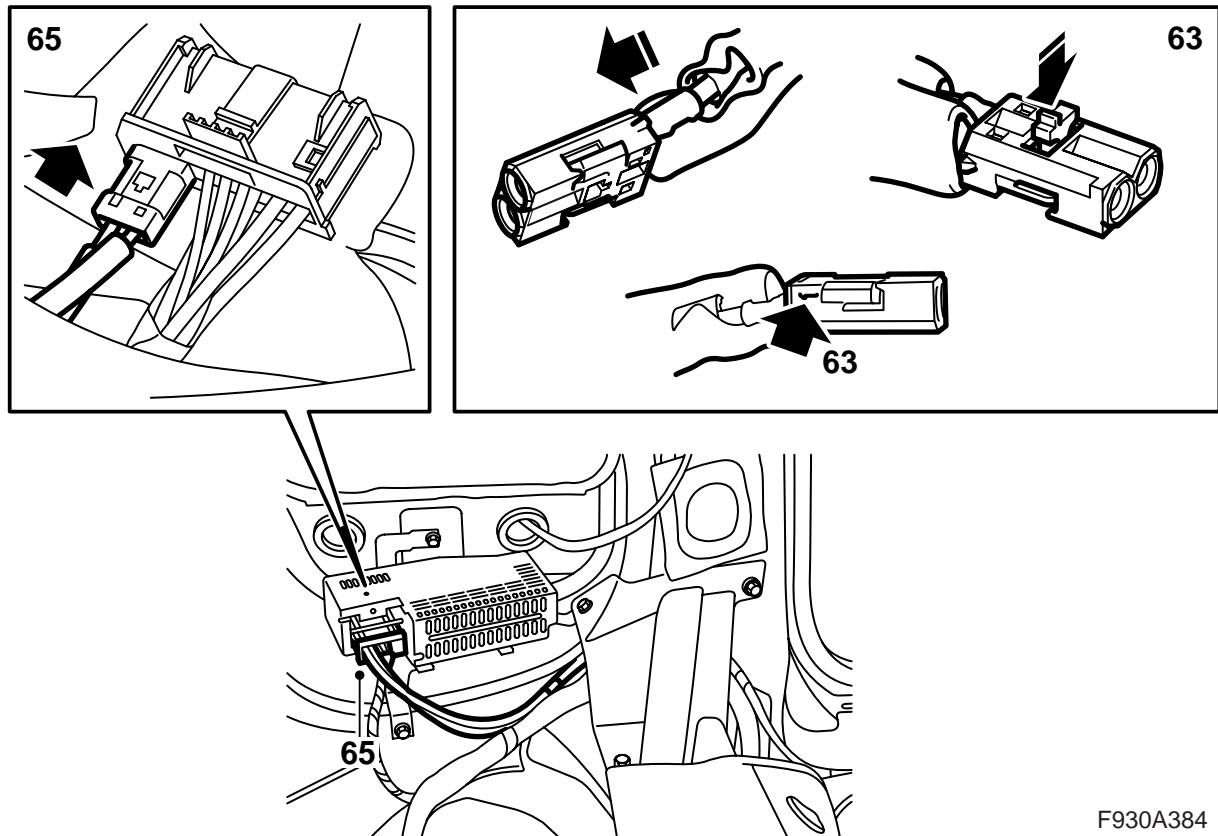
The visible red light is a class 1 laser. Do not look directly into the optical fibre or the control module connector when in close proximity to them. The eyes can be damaged if the distance between the light source and the eyes is less than 20 mm.



- 55 Fit the kit's fibre optic cable (DVD player - torsion compartment) in position 1 in the kit's small connector.
- 56 Fit the kit's fibre optic cable (DVD player - amplifier) in position 2 in the kit's small connector.
- 57 Fit the small connector in the DVD player's connector.
- 58 Run the kit's fibre optic cables (DVD player - torsion compartment and DVD player - amplifier) forward along the existing wiring harness and secure with cable ties. Do not tighten the cable ties completely as a further 2 cables shall be secured.
- 59 Remove the protective cover from the fibre optic cable's connection (DVD player - torsion compartment) and fit the connection in position 2 in the small connector inside the torsion compartment.

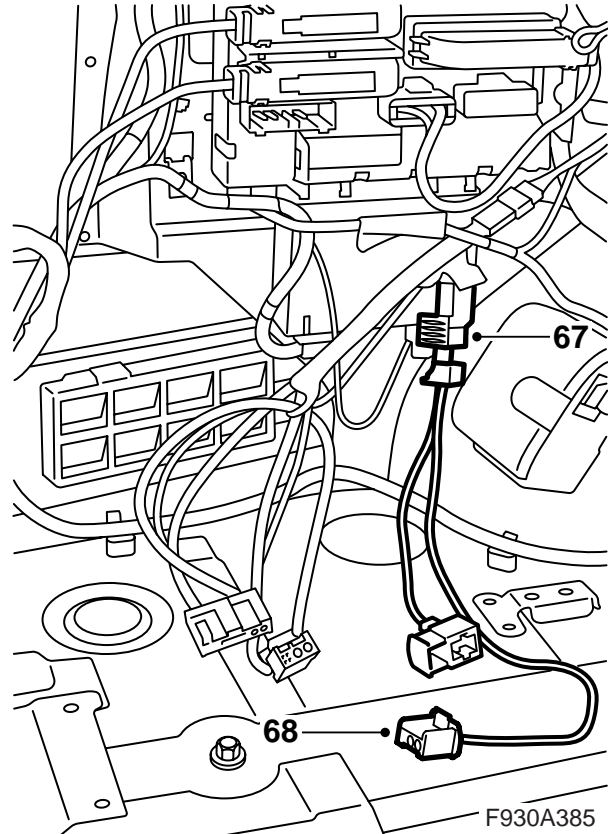
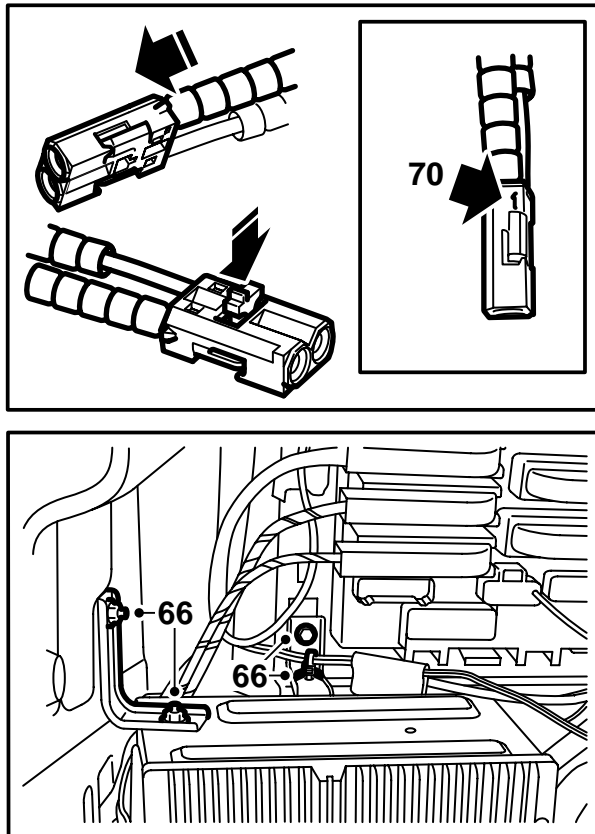


- 60 Remove the connector from the amplifier.
- 61 Remove the small connector from the large connector.
- 62 Remove the fibre optic cable connected to position 1 by opening the connector locking clip and carefully lifting the hook.



- 63 Remove the protective cover from the fibre optic cable connection (DVD player - amplifier) and fit the connection in position 1 in the amplifier's small connector. Fit the lock. Secure the fibre optic cable along the wiring harness to the torsion compartment.
- 64 Fit the protective cover onto the removed fibre optic cable connection and carefully move the fibre optic cable aside in order to prevent damage.
- 65 Fit the small connector in the large connector and connect the large connector to the amplifier. Continue with step 75.

F930A384

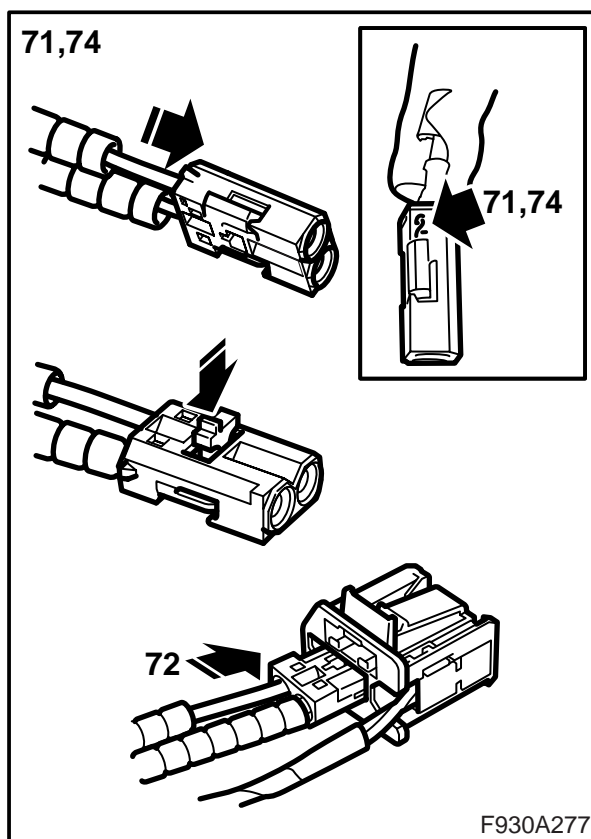
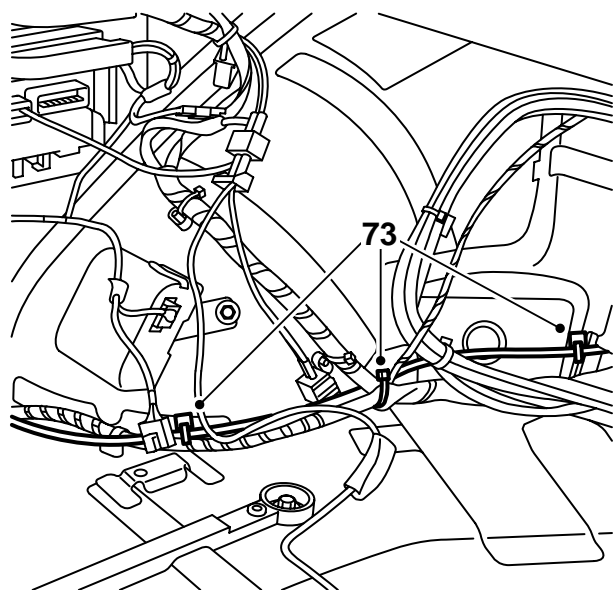


- 66 Remove the bracket and move it away to facilitate access. Remove the wiring harness cable tie from the bracket.
- 67 Locate the connector for the DVD player at the REC.
- 68 Connect the kit's wiring harness to the connector.
- 69 Remove the protective cover from one connection on the kit's fibre optic cable (DVD player - torsion compartment).

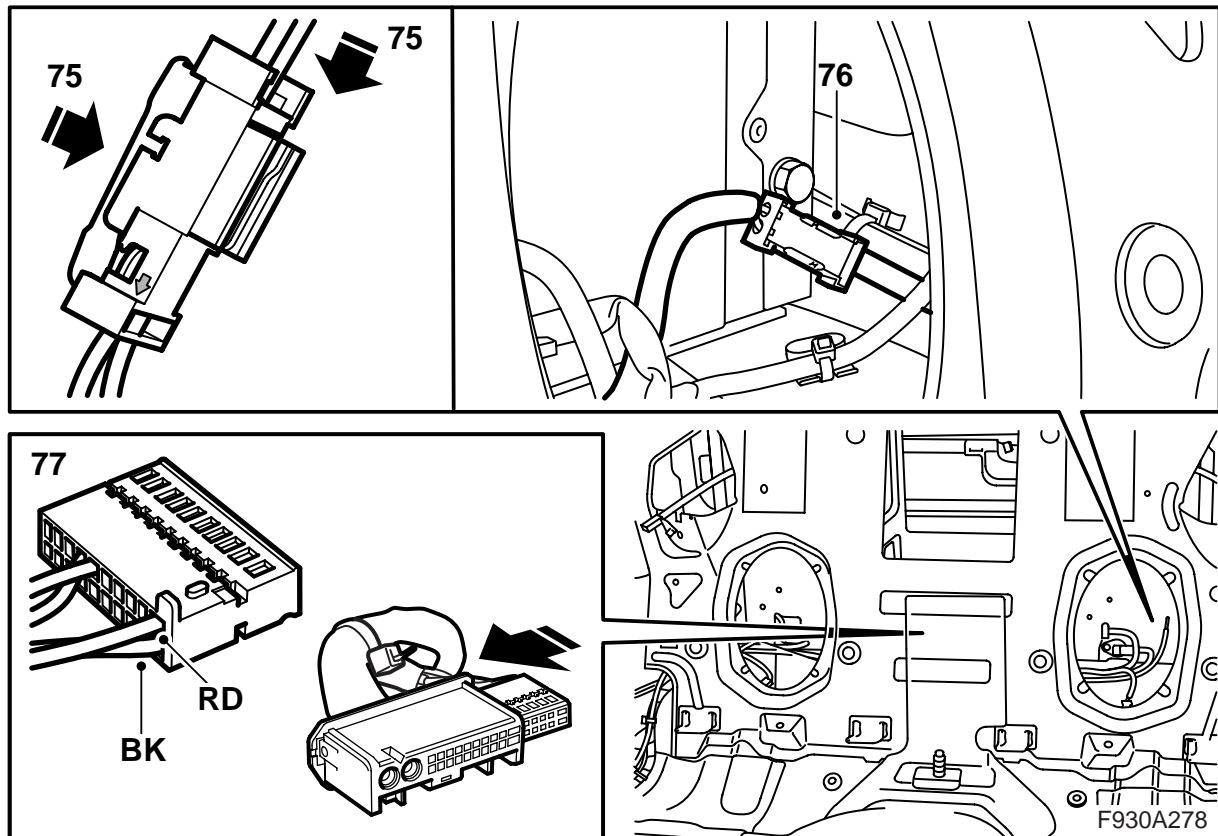
⚠ WARNING

The visible red light is a class 1 laser. Do not look directly into the optical fibre or the control module connector when in close proximity to them. The eyes can be damaged if the distance between the light source and the eyes is less than 20 mm.

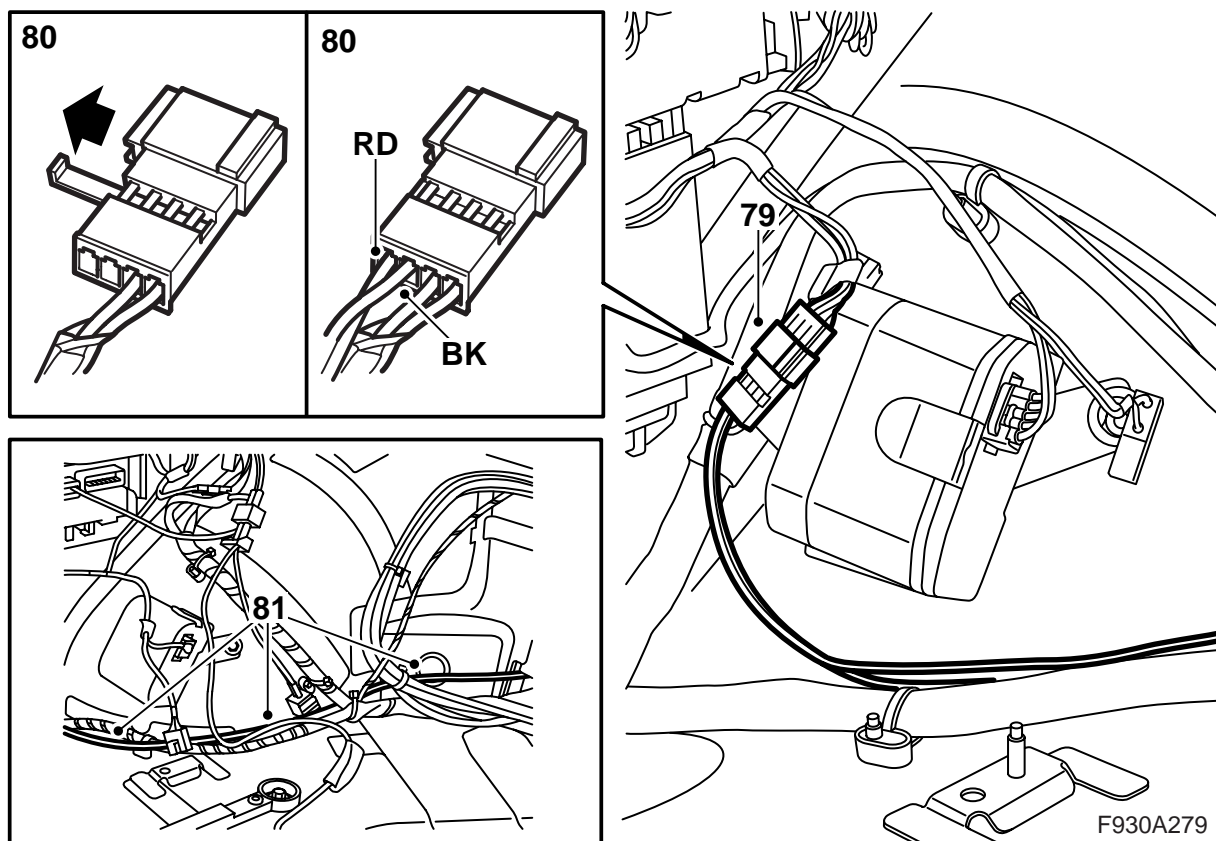
- 70 Fit the kit's fibre optic cable (DVD player - torsion compartment) in position 1 in the kit's connector.



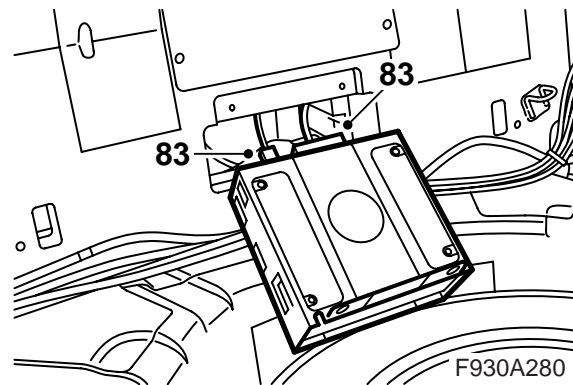
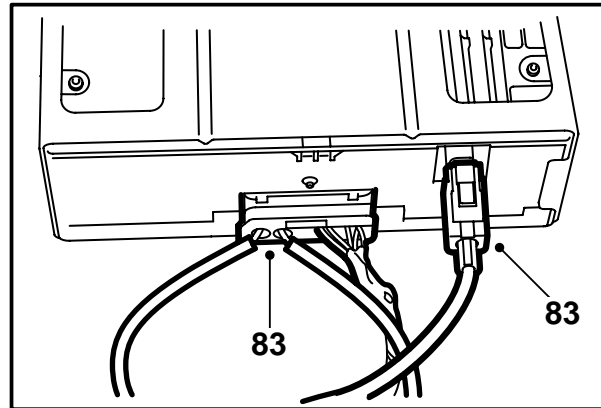
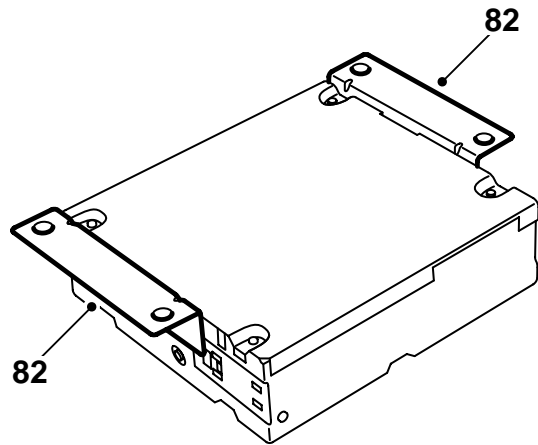
- 71 Remove the protective cover from the connection in one end of the kit's fibre optic cable (between the units in the bracket) and fit it in position 2 in the kit's connector.
- 72 Fit the small connector in the DVD player's connector.
- 73 Run the kit's fibre optic cable (DVD player - torsion compartment) forward along the existing wiring harness. Secure with cable ties but do not tighten them completely as a further 2 cables shall be secured.
- 74 Remove the protective cover from the fibre optic cable's connection (DVD player - torsion compartment) and fit it in position 2 in the small connector inside the torsion compartment.
Continue with step 75.



- 75 Guide the kit's wiring harness with fibre optic cable into the torsion compartment. Fit the small connector with the fibre optic cables from the A-pillar and the DVD player in the connector and fit the lock tab.
- 76 Secure the connector next to the wiring harness inside the torsion compartment. Guide the kit's wiring harness along the existing wiring harness in the torsion compartment and secure them with cable ties.
- 77 Locate the connector for the telematics unit in the centre of the torsion compartment and fit the cables from the kit's wiring harness in the connector in accordance with the following:
- Red (RD) cable (+) in position 10
 - Black (BK) cable (-) in position 20
- Fit the connector for the telematics unit in the large connector in the kit's wiring harness.



- 78 Guide the loose ends of the kit's wiring harness through the previously fitted cable ties along the fitted fibre optic cable (DVD player - torsion compartment) back to the wiring harness branching to the REC. Tighten the cable ties.
- 79 Remove the tape which is securing the connector for the telematics unit power supply at the wiring harness and unplug the connector.
- 80 Remove the lock and fit the cables from the kit's wiring harness in the connector in accordance with the following:
- Red (RD) cable (+) in position 1
 - Black (BK) cable (-) in position 2
- 81 Fit the lock, plug in the connector and secure it at the wiring harness to the REC.



82 Take the kit's telematics unit and remove any brackets from the telematics unit.

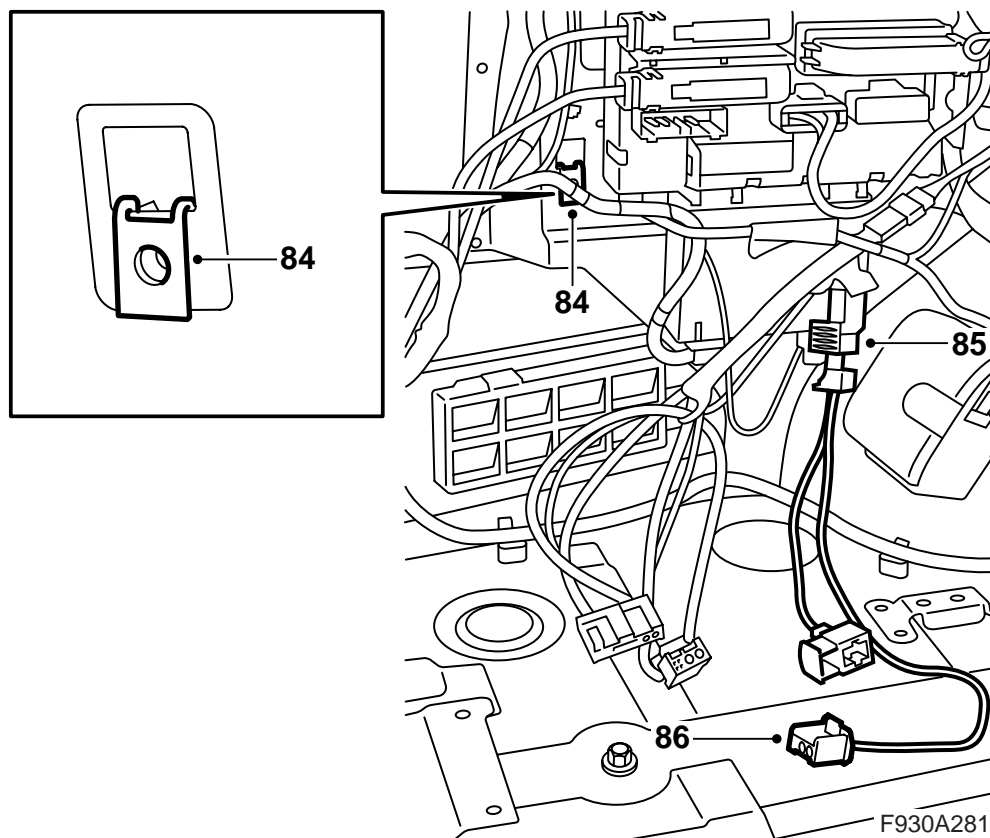
83 Fit the kit's telematics unit into the bracket, a click must be heard, and connect the connector and the thin antenna cable with the blue connector to the telematics unit. Secure the violet connector for the thick antenna cable (if it does not require connecting) by the wiring harness.

Proceed to step 101.

Important

Handle the fibre optic cables with care or the signal may be distorted.

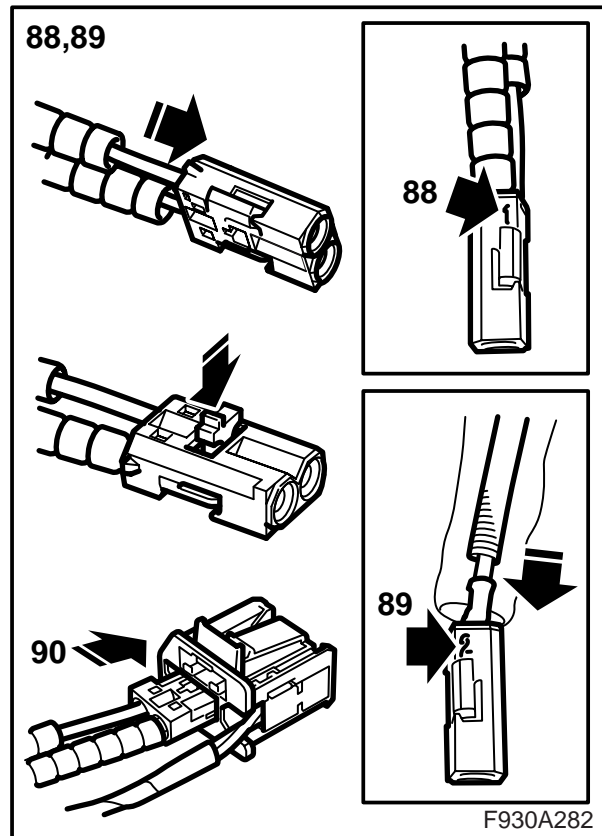
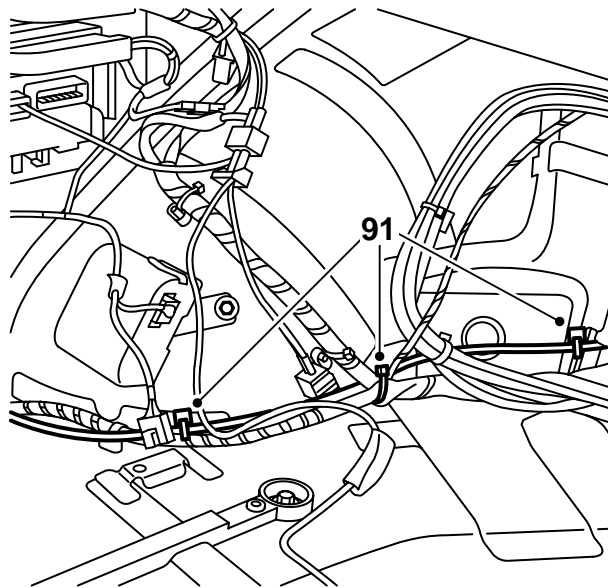
- It is very important that the two cables in the connector are not mixed up.
- Do not bend the cable in a radius smaller than 25 mm.
- Keep the cable ends free from dirt and grime.
- The cable should not lie against any sharp edges as this may cause increased signal reduction.



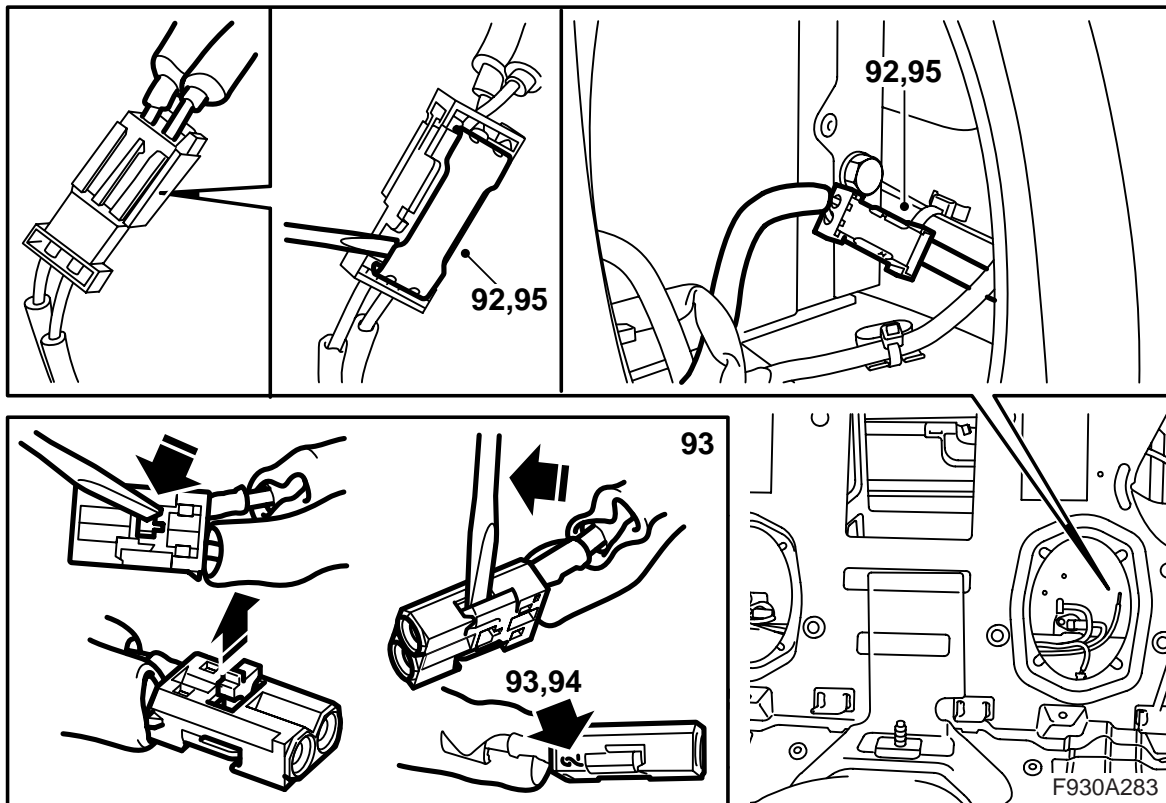
- 84 Disconnect the battery negative cable. Fit the clip nut in the square hole by the REC and fit the bracket in the luggage compartment.
- 85 Locate the connector for the DVD player at the REC.
- 86 Connect the kit's wiring harness to the connector.
- 87 Remove the protective covers from the connections in one end of the kit's fibre optic cables (DVD player - torsion compartment and DVD player - amplifier).

⚠ WARNING

The visible red light is a class 1 laser. Do not look directly into the optical fibre or the control module connector when in close proximity to them. The eyes can be damaged if the distance between the light source and the eyes is less than 20 mm.



- 88 Fit the kit's fibre optic cable (DVD player - torsion compartment) in position 1 in the kit's connector.
- 89 Fit the kit's fibre optic cable (DVD player - amplifier) in position 2 in the kit's connector.
- 90 Fit the small connector in the DVD player's connector.
- 91 Fit the kit's fibre optic cables (DVD player - torsion compartment and DVD player - amplifier) forward along the existing wiring harness. Secure with cable ties.



92 Remove the connector inside the torsion compartment. Lift up the lock tab and remove the small connector.

94 Remove the protective cover from the fibre optic cable's connection (DVD player - torsion compartment) and fit the connection in position 2. Fit the protective cover on the fibre optic cable that was removed.

95 Fit the small connector into the connector. Fit the lock tab and fit the connector inside the torsion compartment.

⚠ WARNING

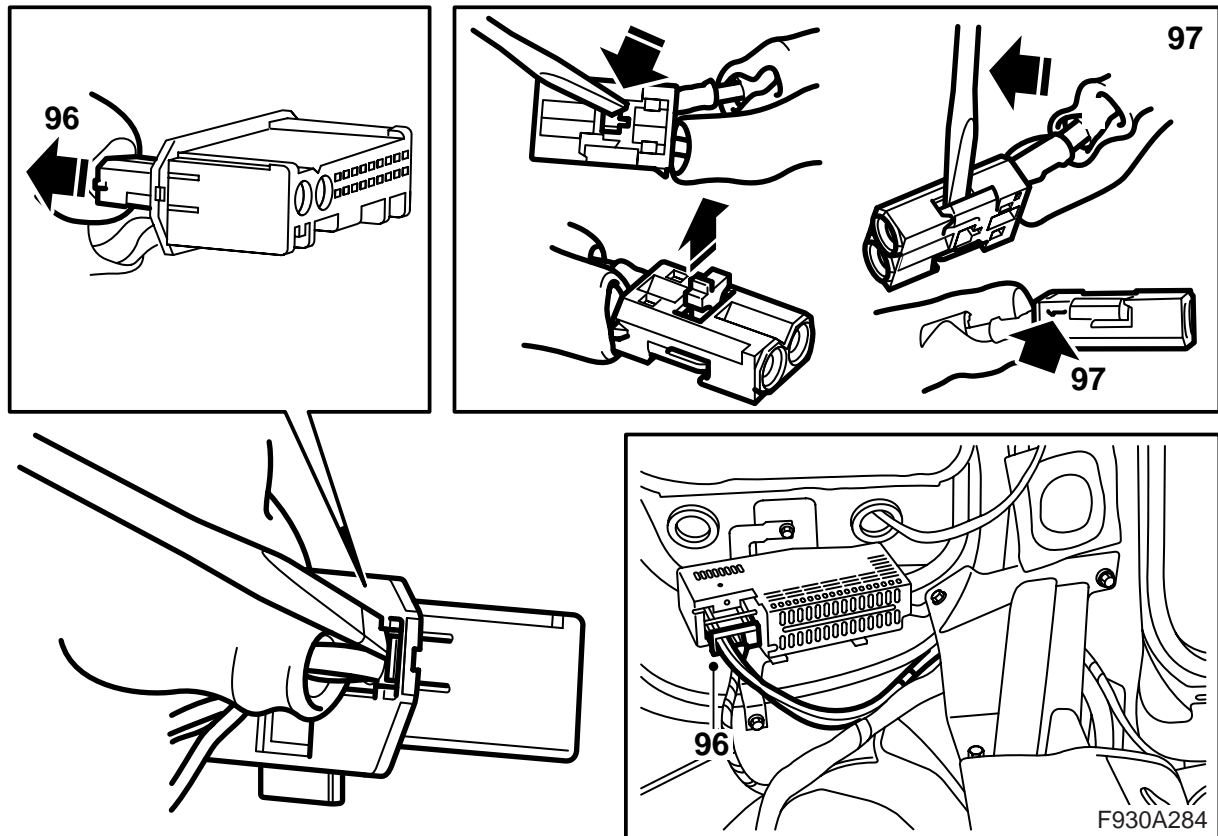
The visible red light is a class 1 laser. Do not look directly into the optical fibre or the control module connector when in close proximity to them. The eyes can be damaged if the distance between the light source and the eyes is less than 20 mm.

93 Remove the fibre optic cable connected to position 2 by opening the connector locking clip and carefully lifting the hook.

Important

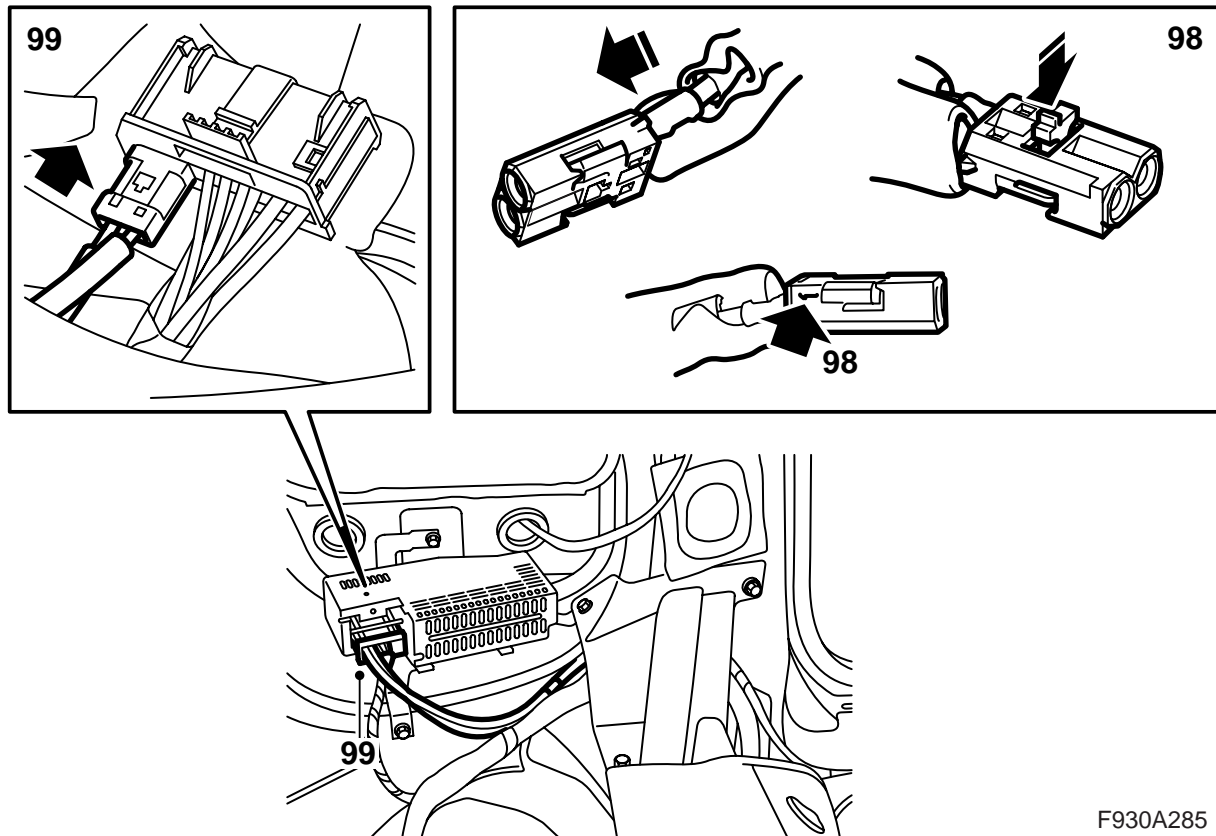
Handle the fibre optic cables with care or the signal may be distorted.

- It is very important that the two cables in the connector are not mixed up.
- Do not bend the cable in a radius smaller than 25 mm.
- Keep the cable ends free from dirt and grime.
- The cable should not lie against any sharp edges as this may cause increased signal reduction.



96 Remove the connector from the amplifier and remove the small connector from the amplifier's connector.

97 Remove the fibre optic cable connected to position 1 in the connector that was removed by opening the lock in the connector and carefully lifting the hook.

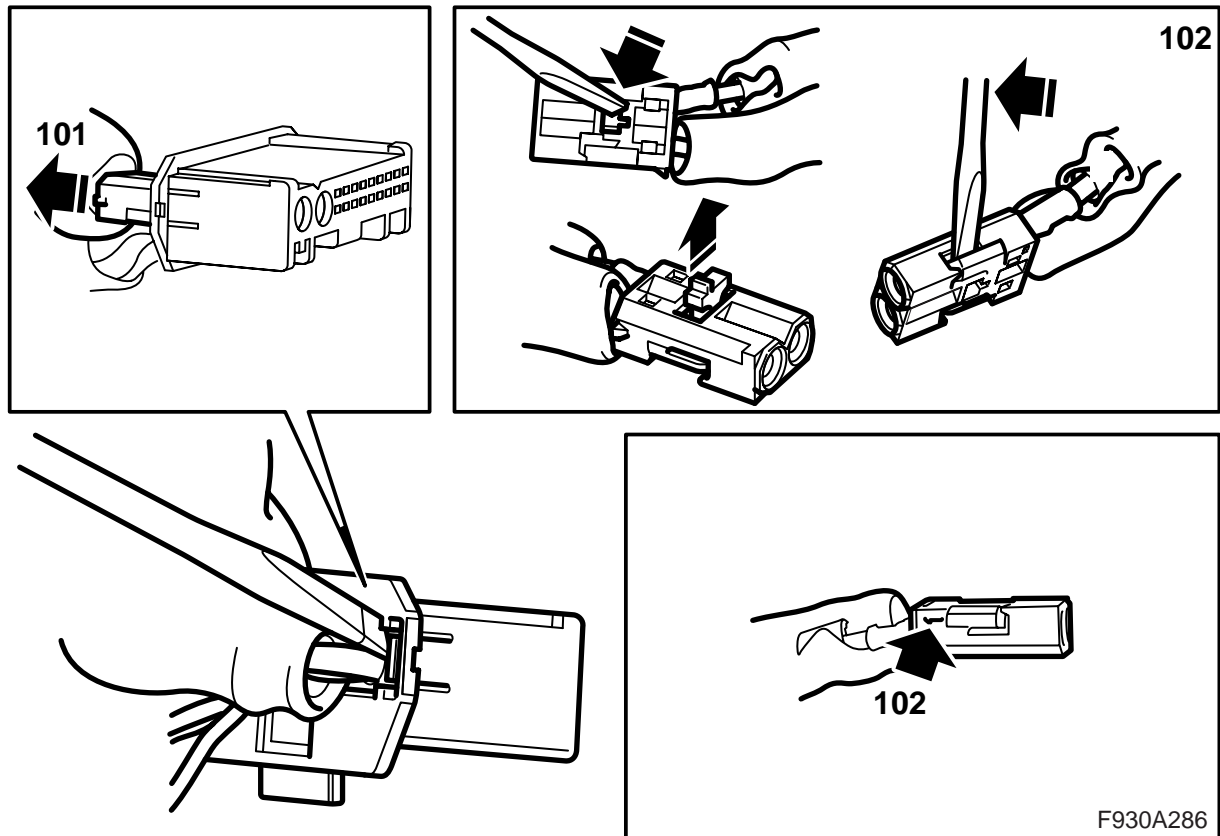


F930A285

98 Remove the protective cover from the fibre optic cable's connection (DVD player - amplifier) and fit the connection in position 1 in the connector that was removed. Fit the protective cover on the fibre optic cable that was removed. Secure the fibre optic cable up to the torsion compartment using cable ties.

99 Fit the small connector in the large connector and connect the connector to the amplifier.

100 Continue with step 117.

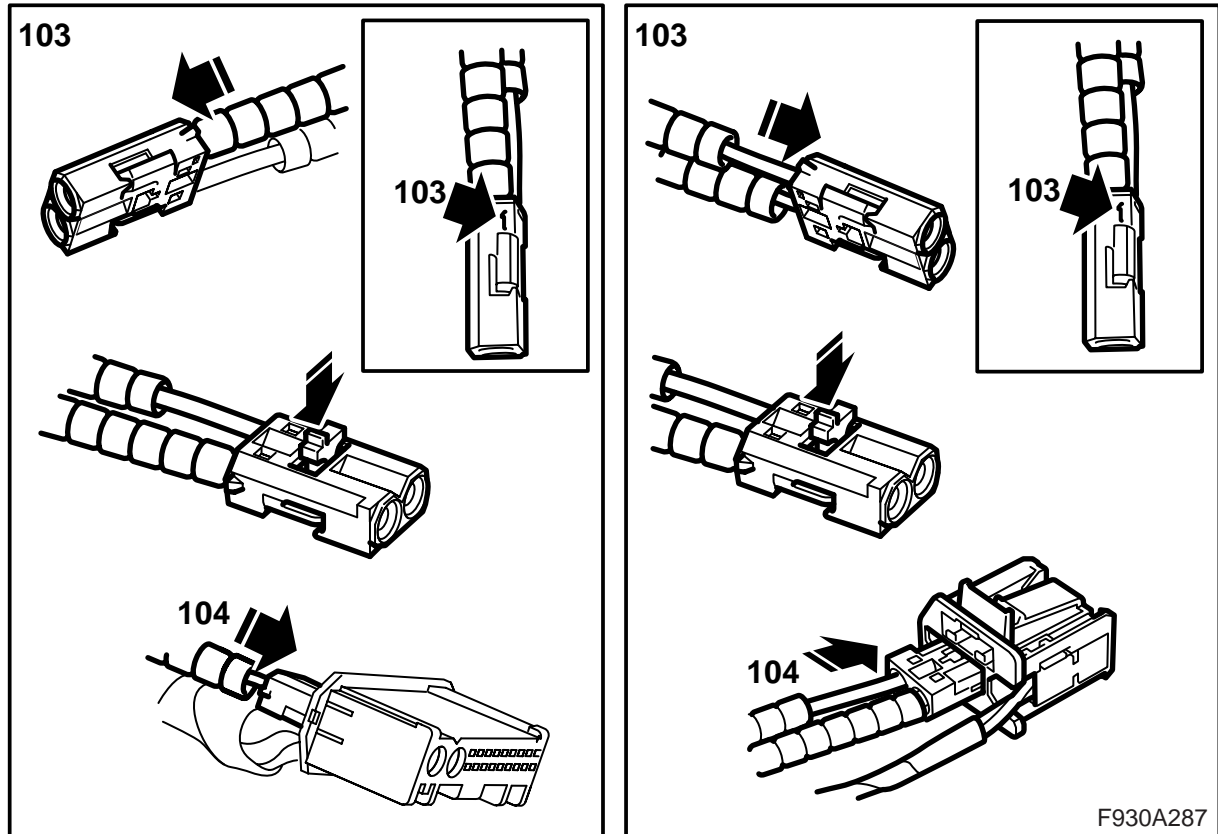


101 Cars without bracket at the REC: Continue with step 117.

Cars with bracket at the REC and amplifier or CD changer fitted: Detach the amplifier's or CD changer's connector and detach the small connector from the large connector.

Cars with bracket at the REC and amplifier and CD changer fitted: Detach the CD changer connector and detach the small connector from the large connector.

102 Cars with amplifier and/or CD changer fitted: Remove the fibre optic cable connected to position 1 in the removed connector by opening the lock in the connector and carefully lifting the hook. Carefully move the fibre optic cable aside in order to prevent damage.



103 Cars with amplifier and/or CD changer fitted:

Remove the protective cover from the second connection on the fibre optic cable fitted previously (between the units in the bracket). Fit the connection in position 1 in the small connector. Fit the lock. Fit the protective cover on the removed fibre optic cable.

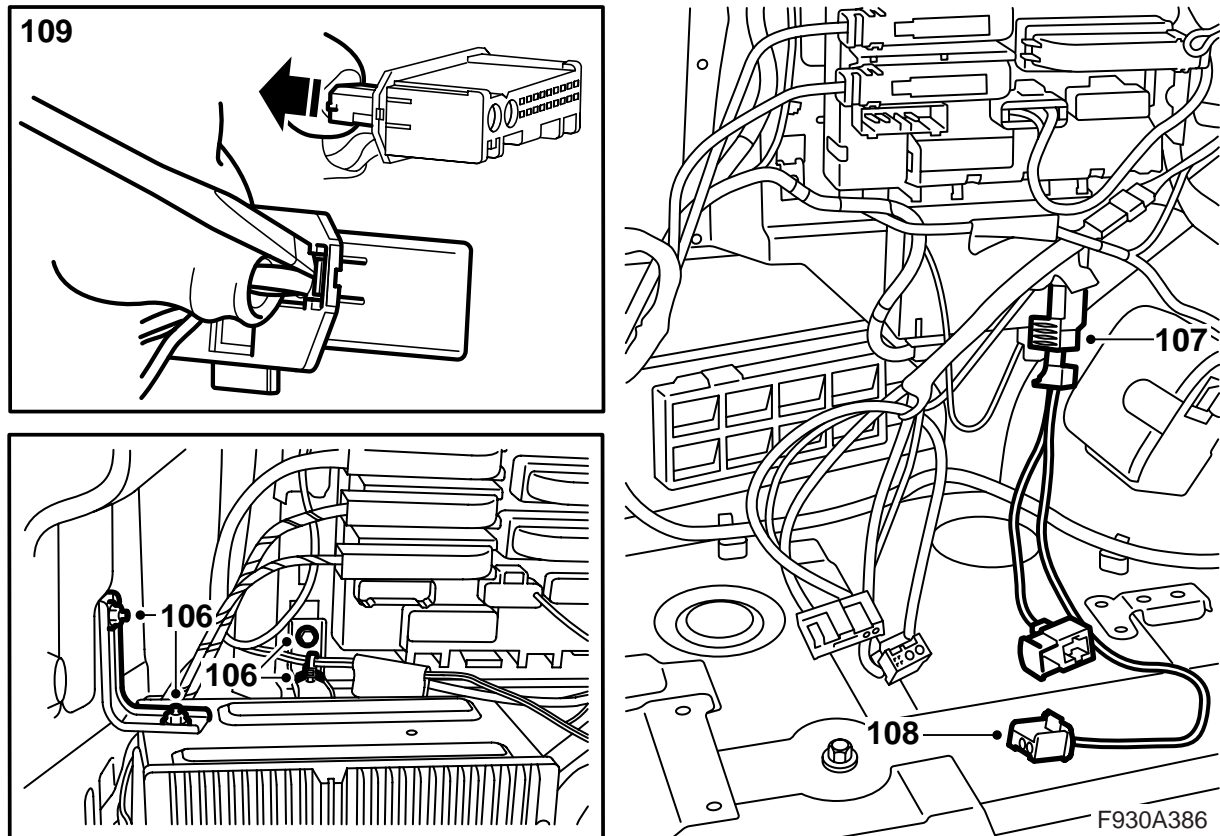
104 Cars with amplifier and/or CD changer fitted:

Fit the small connector in the amplifier's and/or CD changer's connector.

105 Cars with amplifier and/or CD changer fitted:

Connect the amplifier's and/or CD changer's connector.

Continue with step 117.



106 Disconnect the battery's negative cable. Remove the bracket and move it out to facilitate access. Remove the wiring harness cable ties from the bracket.

107 Locate the connector for the DVD player at the REC.

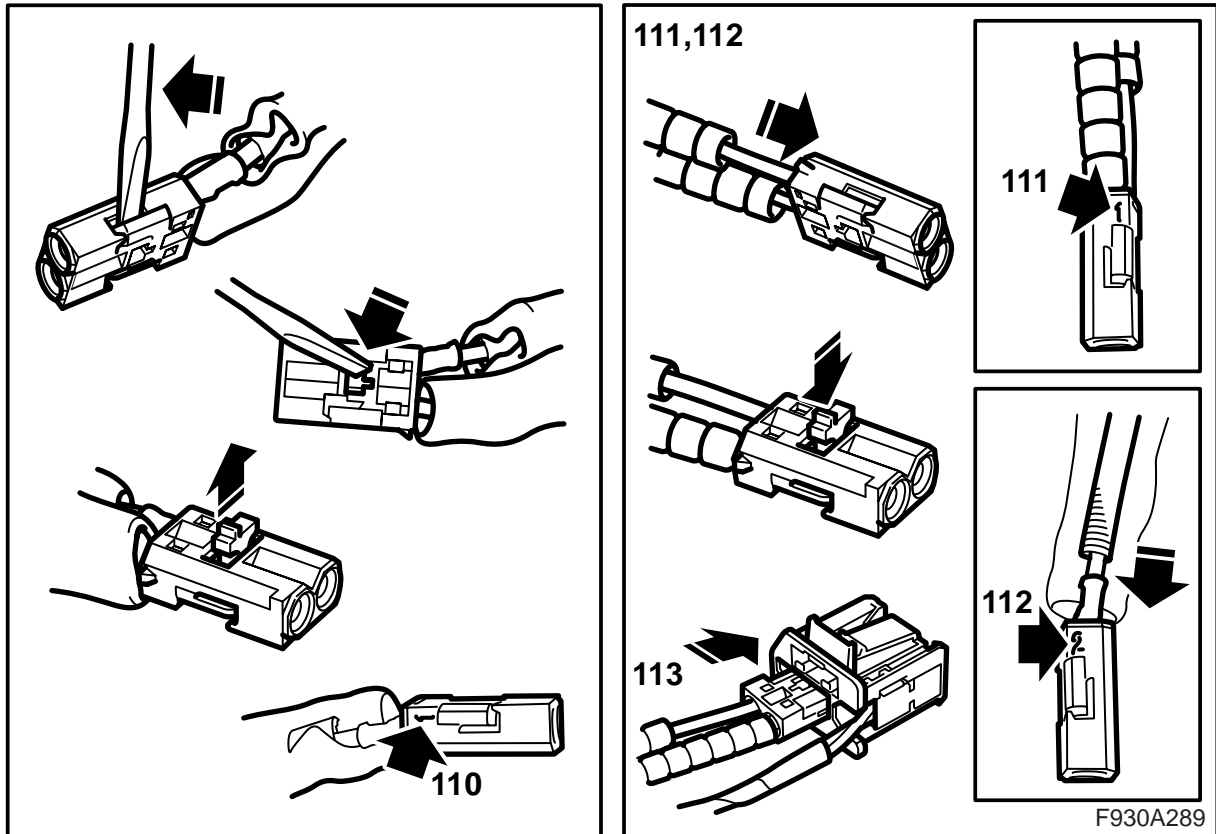
108 Connect the kit's wiring harness to the connector.

109 **Cars with amplifier or CD changer fitted:**
Detach the amplifier's or CD changer's connector and detach the small connector from the large connector.

Cars with amplifier and CD changer fitted:
Detach the CD changer's connector and detach the small connector from the large connector.

⚠ WARNING

The visible red light is a class 1 laser. Do not look directly into the optical fibre or the control module connector when in close proximity to them. The eyes can be damaged if the distance between the light source and the eyes is less than 20 mm.



110 Cars with amplifier and/or CD changer fitted:

Remove the fibre optic cable connected to position 1 in the removed connector by opening the lock in the connector and carefully lifting the hook.

111 Cars with amplifier and/or CD changer fitted:

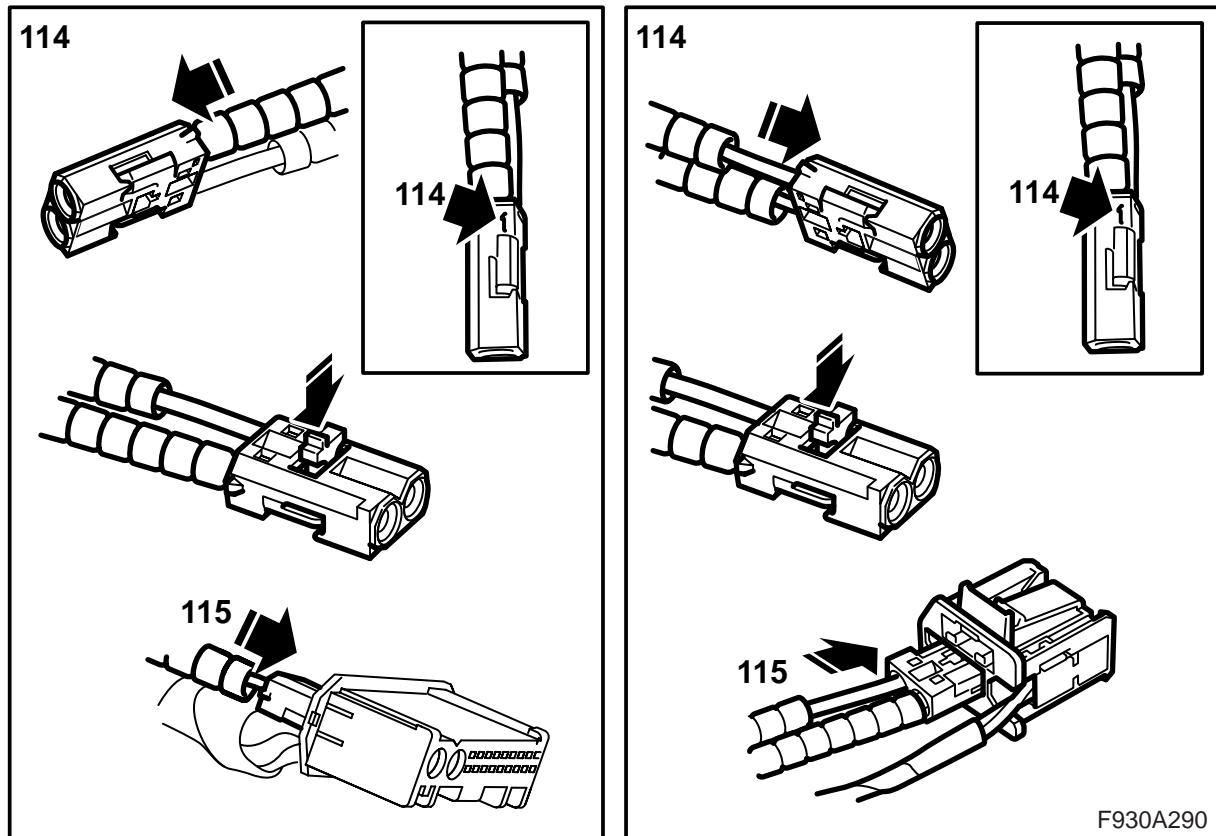
Fit the connection on the fibre optic cable in position 1 in the kit's connector.

112 Cars with amplifier and/or CD changer fitted:

Remove the protective cover from the connection on the kit's fibre optic cable (between the units in the bracket) and fit the connection on the fibre optic cable in position 2 in the kit's connector.

113 Cars with amplifier and/or CD changer fitted:

Fit the small connector into the DVD player's connector.



114 Cars with amplifier and/or CD changer fitted:

Remove the protective cover from the second connection on the fibre optic cable (between the units in the bracket). Fit the connection on the fibre optic cable in position 1 in the small connector for the amplifier and/or the CD changer. Fit the lock.

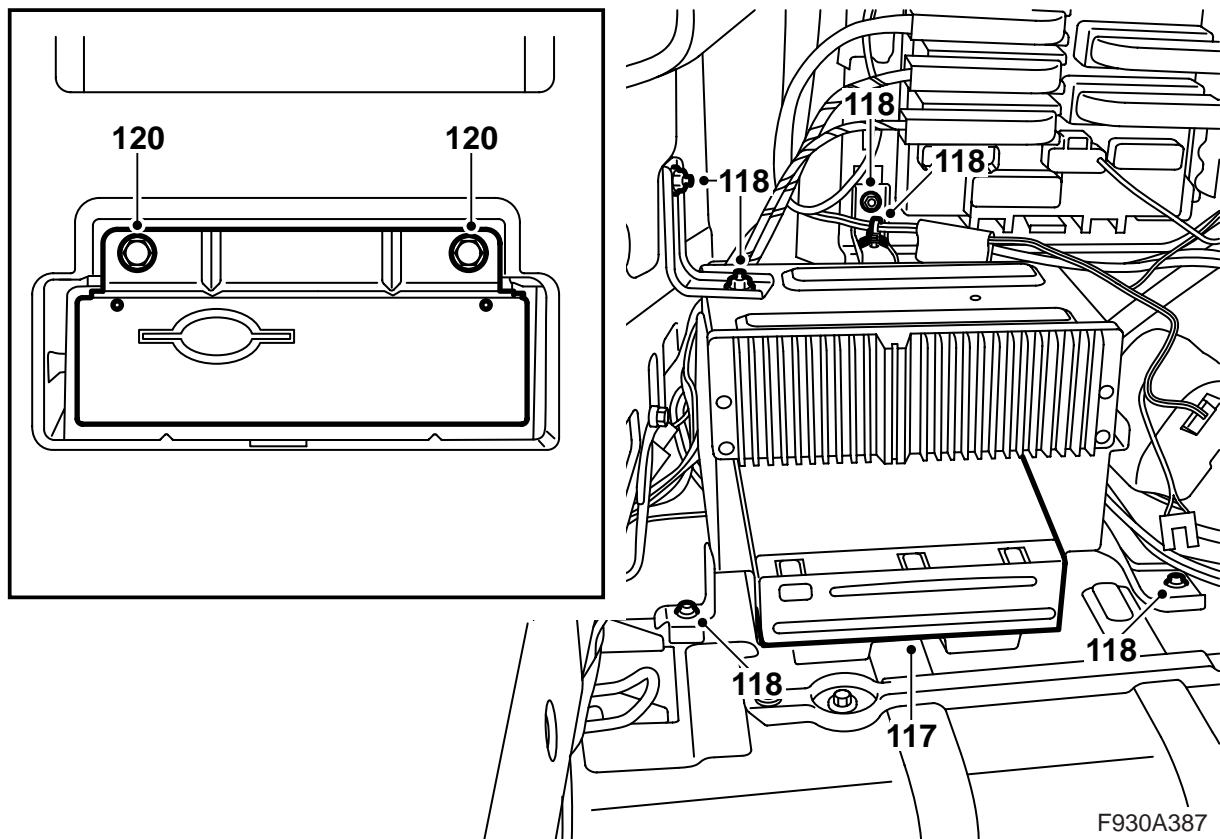
115 Cars with amplifier and/or CD changer fitted:

Fit the small connector in the amplifier's and/or CD changer's connector.

116 Cars with amplifier and/or CD changer fitted:

Connect the amplifier's and/or CD changer's connector.

Continue with step 117.



117 Fit the DVD player in the bracket, a clicking sound should be heard, connect the DVD player and fit the bracket.

120 Position the bracket for the telematics unit in the torsion compartment and fit it.

Important

Handle the fibre optic cables with care or the signal may be distorted.

- It is very important that the two cables in the connector are not mixed up.
- Do not bend the cable in a radius smaller than 25 mm.
- Keep the cable ends free from dirt and grime.
- The cable should not lie against any sharp edges as this may cause increased signal reduction.

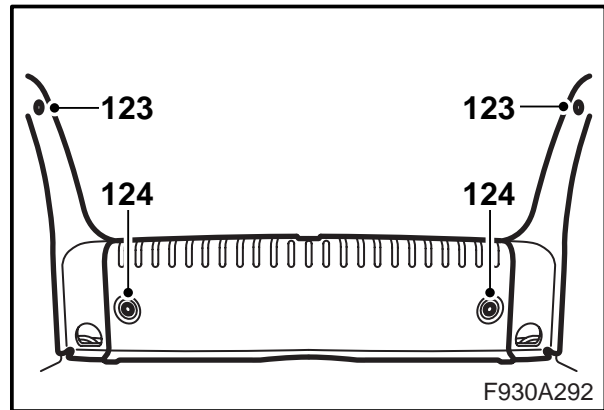
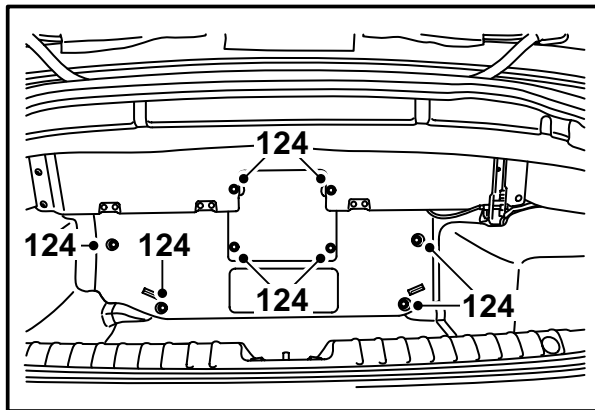
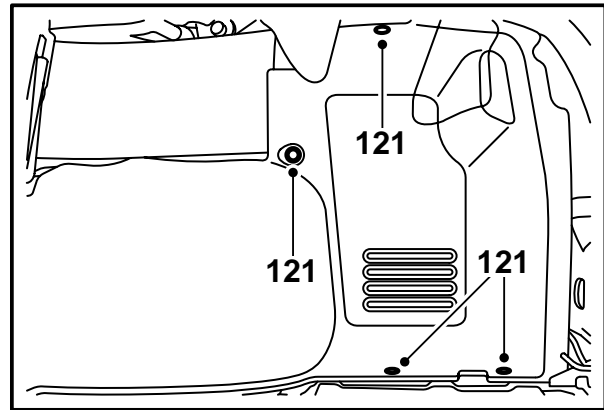
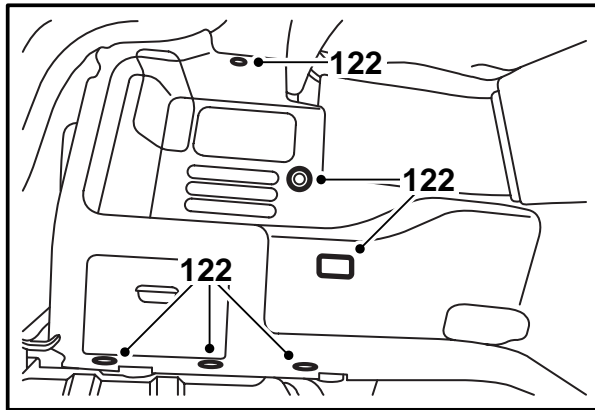
Important

Handle the fibre optic cables with care or the signal may be distorted.

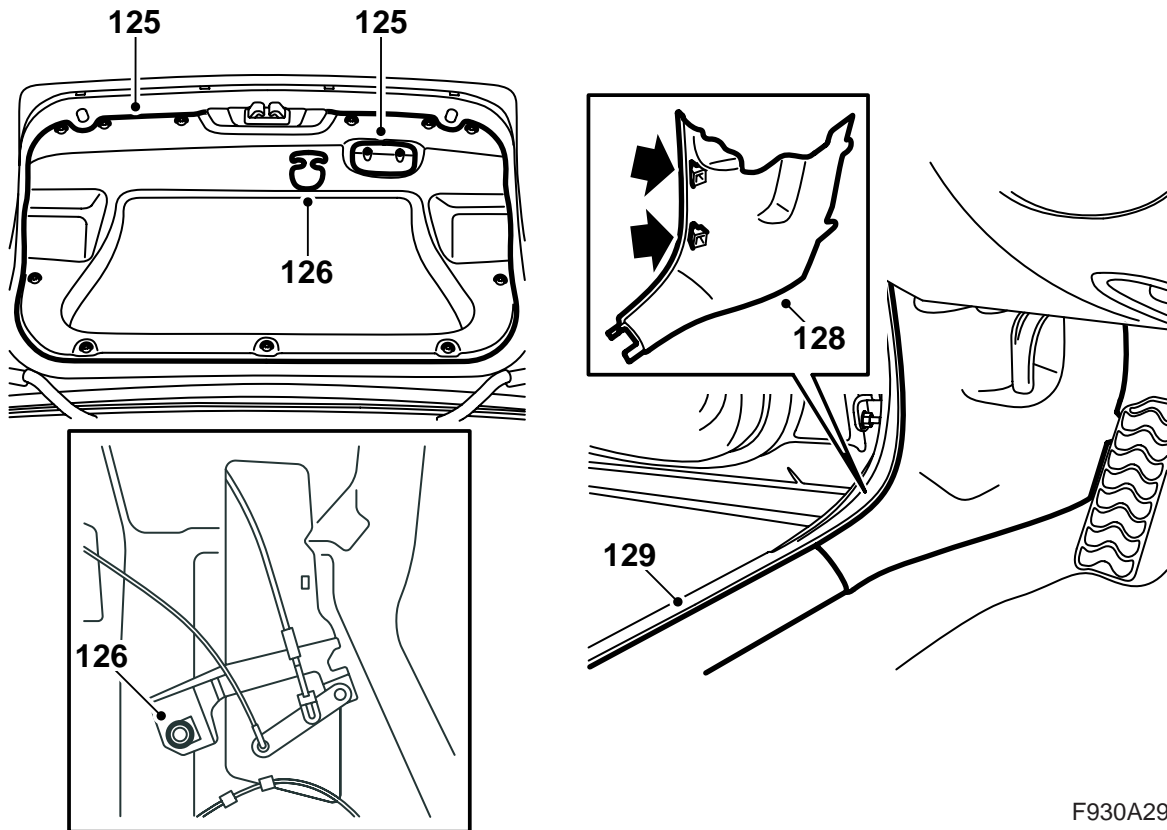
- It is very important that the two cables in the connector are not mixed up.
- Do not bend the cable in a radius smaller than 25 mm.
- Keep the cable ends free from dirt and grime.
- The cable should not lie against any sharp edges as this may cause increased signal reduction.

118 Fit the bracket, in addition, tighten the nut on the top side of the bracket, and secure the wiring harness cable tie in the hole in the bracket.

119 Secure the kit's wiring harness to the car's wiring harness.



- 121 If the luggage compartment right-hand side trim is removed: Position the right-hand side trim and hook on the strap. Fit the clips.
- 122 Fit the left-hand side trim, connect the luggage compartment lighting and hook the strap on. Fit the clips.
- 123 Fit the side scuff plates if they were removed earlier.
- 124 Fit the front section of the luggage compartment trim, the scuff plate and fit the carpet to the luggage compartment floor.



F930A293

125US cars where the boot lid trim is removed:

Fit the emergency opening mechanism.

126If the boot lid trim is removed: Fit the trim on the inside of the boot lid, fit the clips and fit the closing handle.

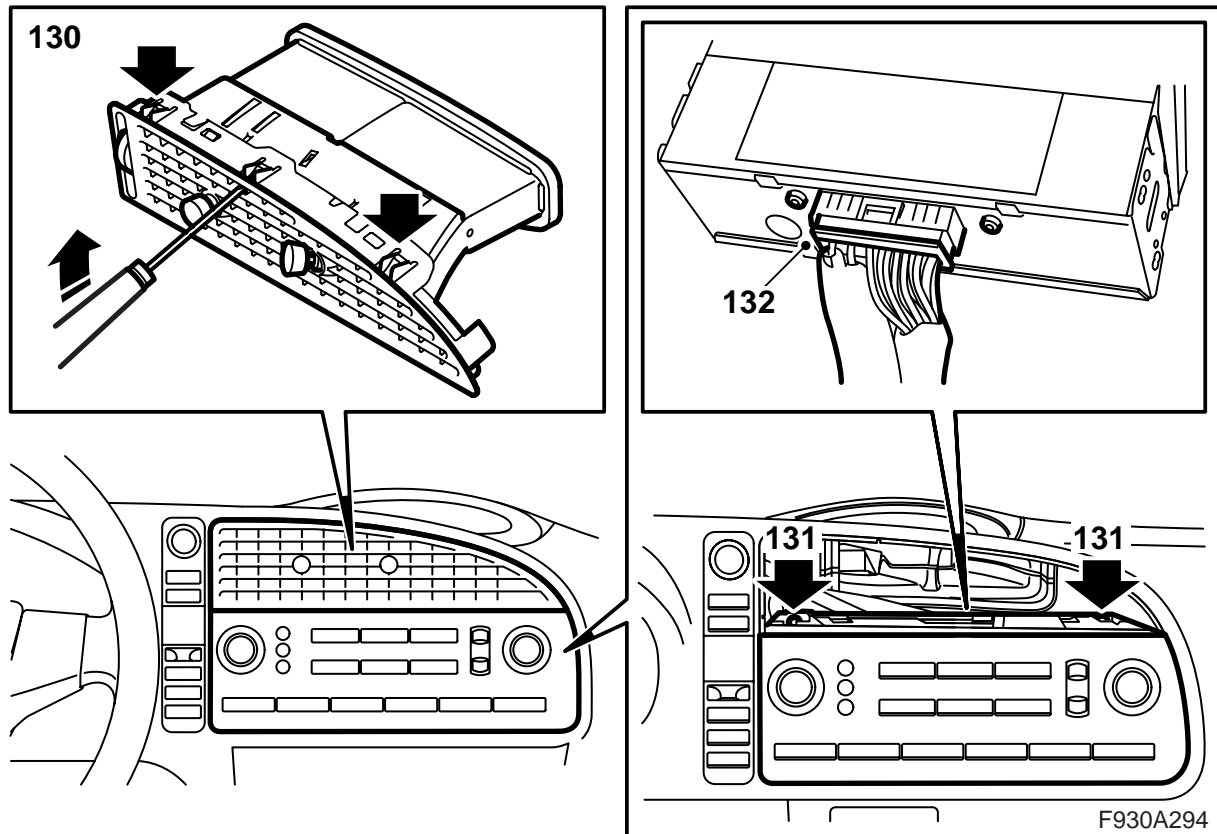
US cars where the boot lid trim is removed:

Fit the emergency handle.

127If the boot lid trim has been removed: Close the boot lid.

128Cars where a telematics unit was not fitted in the centre of the torsion compartment: Fit the A-pillar trim.

129Cars where a telematics unit was not fitted in the centre of the torsion compartment: Fit the scuff plate.



130 Remove the centre air vent in the dashboard by carefully bending in the hooks accessible through the grille.

Note

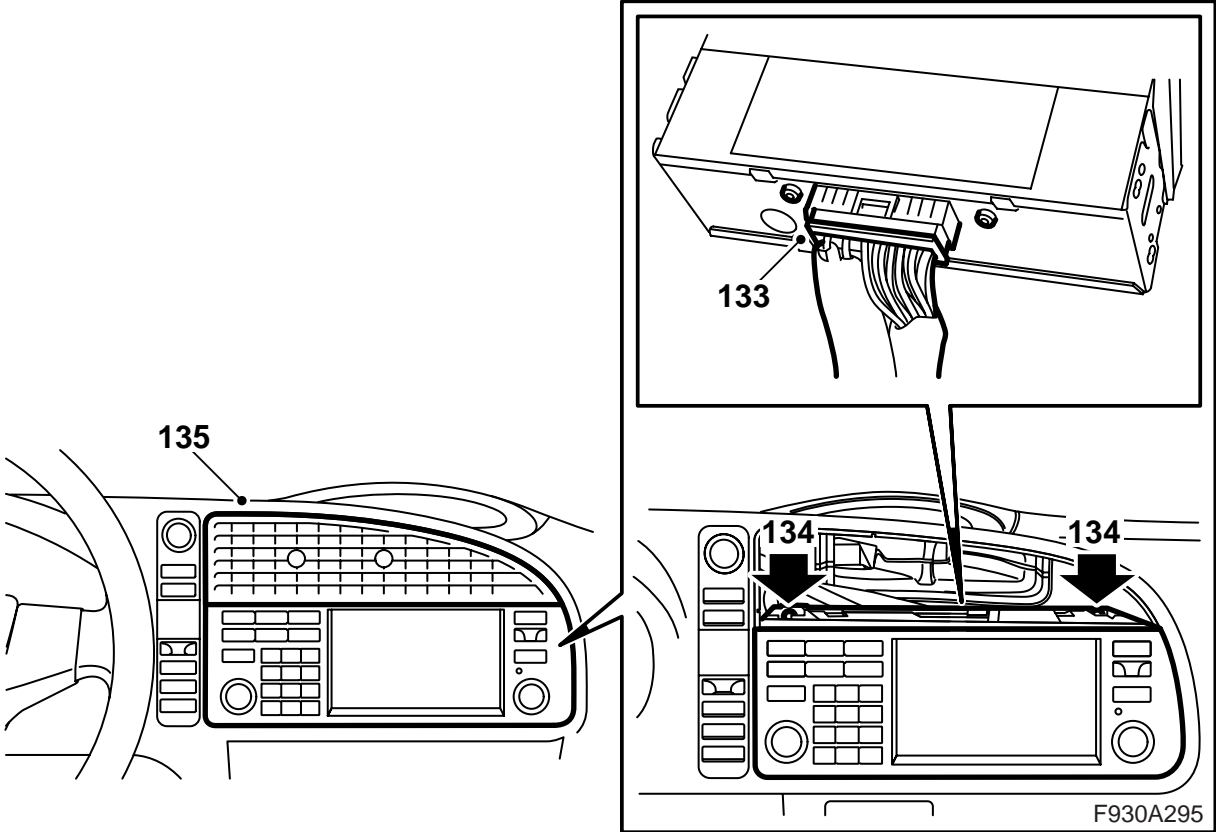
Take care to bend the correct hooks. Hooks holding together the air outlet are also visible behind the grille.

131 Remove the retaining screws for the infotainment control panel.

132 Remove the control panel and remove the connector.

WARNING

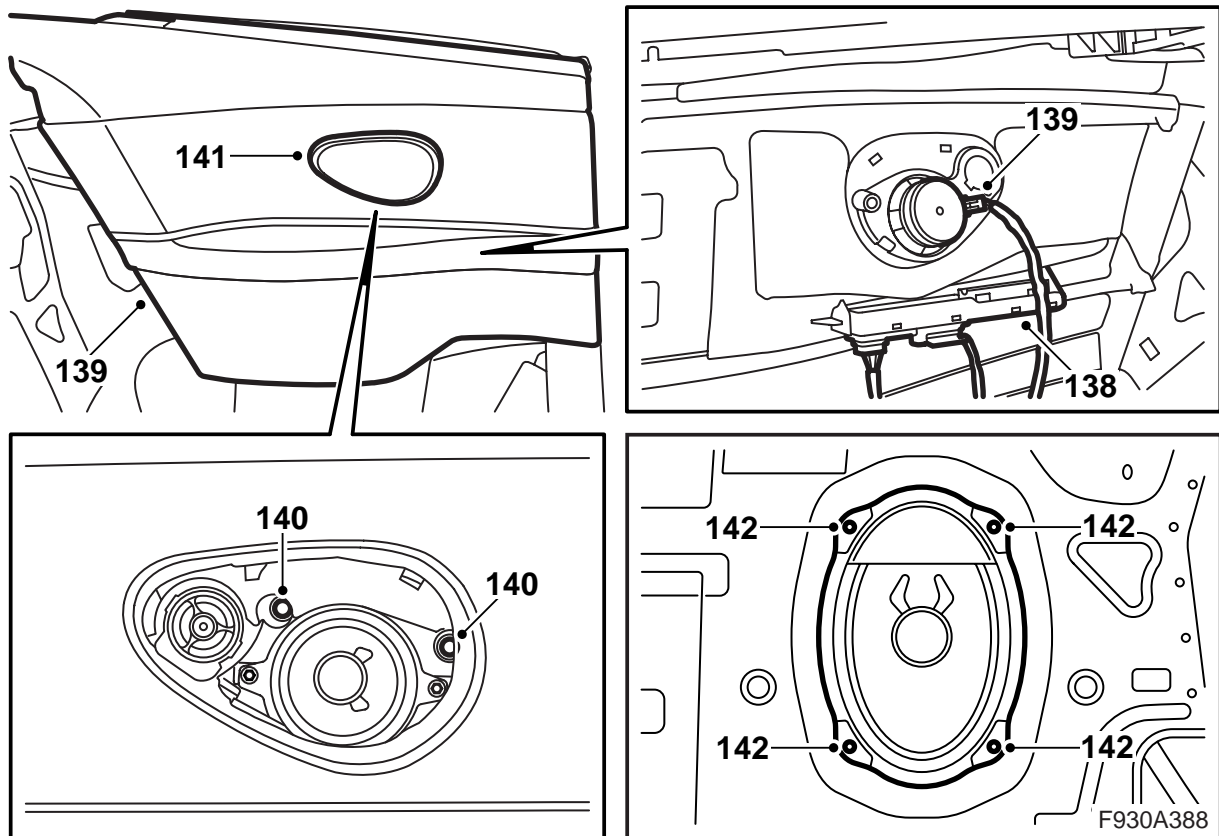
The visible red light is a class 1 laser. Do not look directly into the optical fibre or the control module connector when in close proximity to them. The eyes can be damaged if the distance between the light source and the eyes is less than 20 mm.



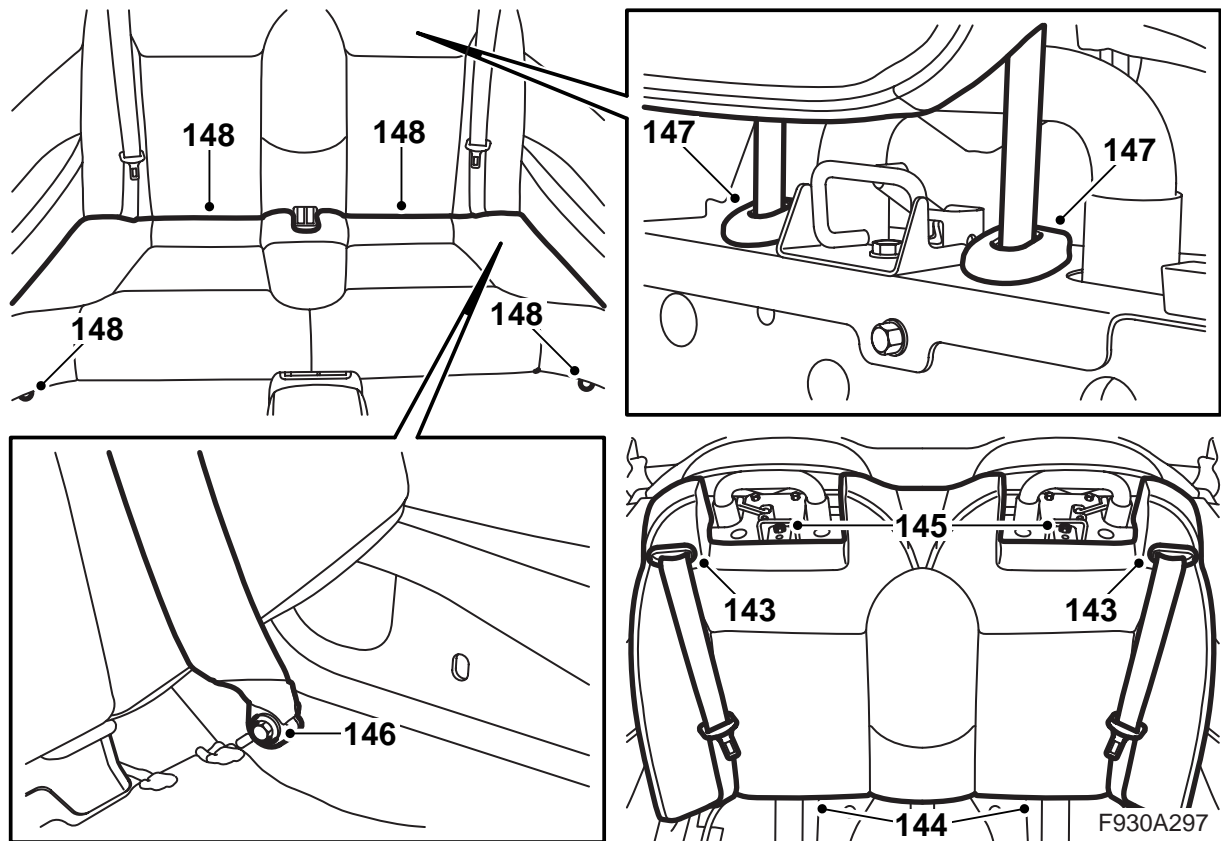
133Connect the connector to the kit's control panel.

134Fit the control panel.

135Position and fit the air vent.



- 136 Connect the battery negative cable.
- 137 Fold down the soft top completely, but allow the soft top cover to remain open.
- 138 Check that the damp protection is intact and replace if necessary. Fit the control module in the side trim.
- 139 Connect the speaker connector, fit the side trim and press it down. Check that the rubber protectors are in place.
- 140 Fit the screws which hold the side trim, fold the inner lip on the door opening seal over the front edge of the side trim and lift the bracket on the soft top cover seal over the side trim.
- 141 Fit the speaker grille.
- 142 Fit the bass speakers or the covers.



143 Guide the rear seat belts into the belt guides and fit the guides in the back rest cushion by pressing them in.

144 Fit the back rest cushion from above and press it down securely.

145 Fit the two screws for the back rest cushion upper mounting.

146 Fit the screws for the seat belts' lower mounting.

Tightening torque 45 Nm (33 lbf ft)

147 Fit the rear head restraints in the sleeves.

148 Fit the seat cushion and fit the screws in the seat cushion front edge.

149 Raise the soft top completely.

150 Adjust the time and date.

151 Synchronise remote control code by inserting the key into the ignition.

154 Connect the diagnostic tool, select car and model year, select "All", select "Add/Remove", select the accessory and then "Add".

Note

The diagnostic tool will on some occasions need to retrieve a security code in TIS. Information on what to do will be displayed on the diagnostic tool display.

155 Place the map disc in the DVD player, check the system by test driving the car until the navigation system makes contact with the satellites. The map should display on the screen.

Important

Repeat this procedure with all keys. Otherwise, the remote controls will not function.

152 Activate window lift pinch protection function by operating the side windows up and down twice. An audible confirmation will sound when activation is complete.

153 **Cars where the left-hand front seat is electrically adjustable:** Reset the position of the seat if it has been changed.